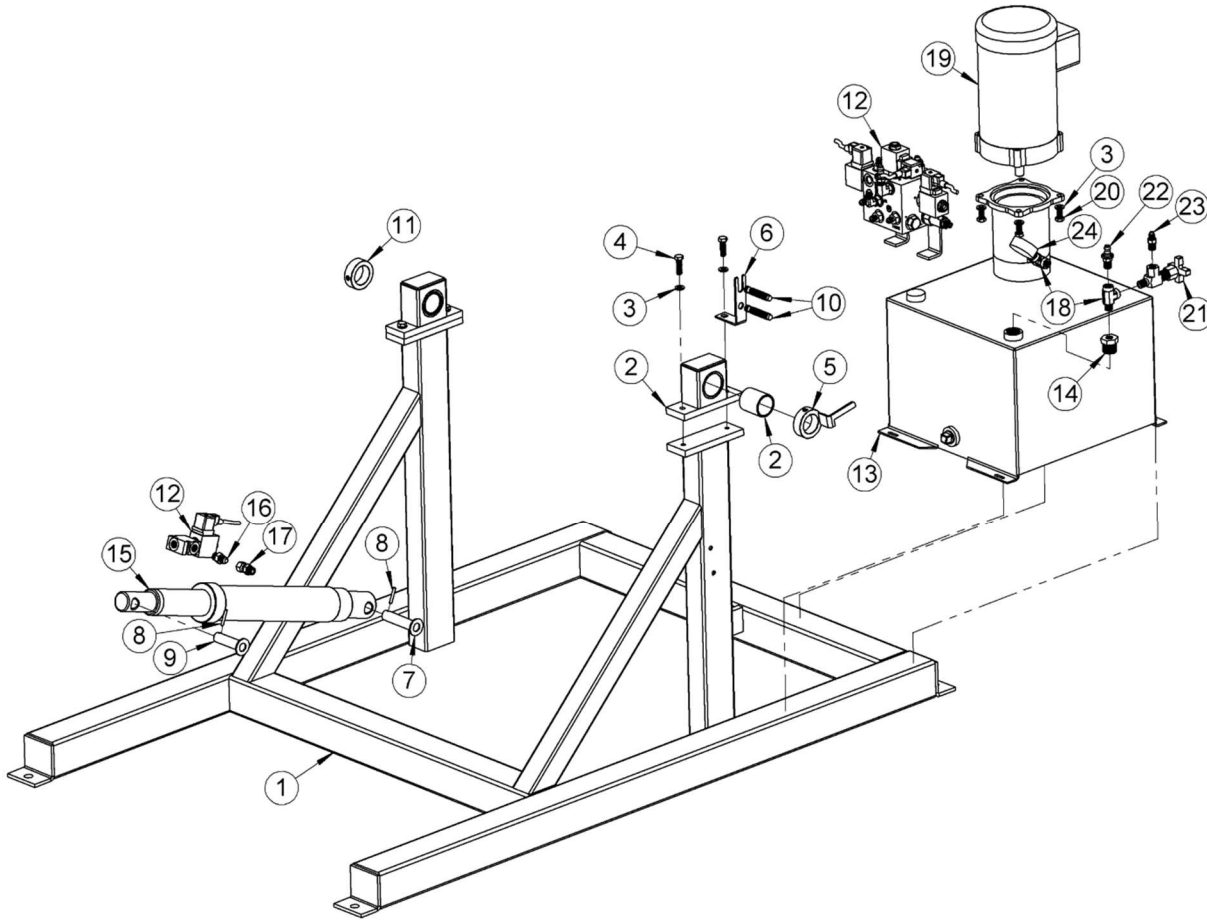


311 Series

Base Assembly

Serial Number 315601 to Current



ITEM NO.	PART NUMBER	DESCRIPTION	QTY.
1	4920-P	BASE WELD, 310	1
2	3520-P	IDLER BEARING ASM W/ CAP 310	2
3	1474-P	WASHER, 3/8 SPLIT LOCK	8
4	535-P	HHCS, 3/8-16 X 1-1/4 GR 5 ZINC	4
5	5153-P	COLLAR, TAB, 1-1/2, 311	1
6	5158-P	BRACKET, SENSOR MOUNT, 311	1
7	3275-P	CLEVIS PIN WELD, DEAD END 310	1
8	64-P	ROLL PIN, 3/16 X 1-1/4	2
9	3276-P	CLEVIS PIN WELD, LIVE END 310	1
10	5502-P	311 SENSOR	2
11	570-P	COLLAR, 1-1/2" ID	1
12	5210-P	HYDRAULIC PACKAGE (SEE PAGE 8)	1
13	M404-310-P	HYD POWER PACK, 310	1
14	4008-P	FIT, PIPE REDUCER, 3/4-1/4 310	1
15	4572-P	CYLINDER, 2 X 10.5, 310	1
16	4593-P	HYD FIT, SAE STRAIGHT	1
17	4594-P	HYD FIT, SAE STRAIGHT SWIVEL	1
18	1105-P	HYD FIT, RUN TEE, 456, 310	2
19	MOTOR	SEE SEPARATE MOTOR LIST	1
20	1572-P	HHCS, 3/8-16 X 1 GR2	4
21	4772-P	VALVE, METERING, 310	1
22	1107-P	HYD FIT, 1/4 X 3/8 PUSH LOK	1
23	345-P	HYD FIT, MALE FLARE, 456, 82	1
24	5744-P	PRESSURE GUAGE, 310	1

ITEM 19 - MOTOR		
Model	Motor	Description
311-1-115	3186-1-P	MOTOR, 2HP, 1PH, 3450 RPM
311-1-230	3186-1-P	MOTOR, 2HP, 1PH, 3450 RPM
311-3-230	3186-3-P	MOTOR, 2HP, 3PH, 3450 RPM
311-3-460	3186-3-P	MOTOR, 2HP, 3PH, 3450 RPM
311-3-575	3186-575-P	MOTOR, 2HP, 3PH, 3450 RPM 575V
311-1-220-50	3186-1-50-P	MOTOR, 2HP, 1PH, 2850 RPM 50HZ
311-3-230-50	3186-3-50-P	MOTOR, 2HP, 3PH, 2850 RPM 50HZ
311-3-400-50	3186-3-50-P	MOTOR, 2HP, 3PH, 2850 RPM 50HZ