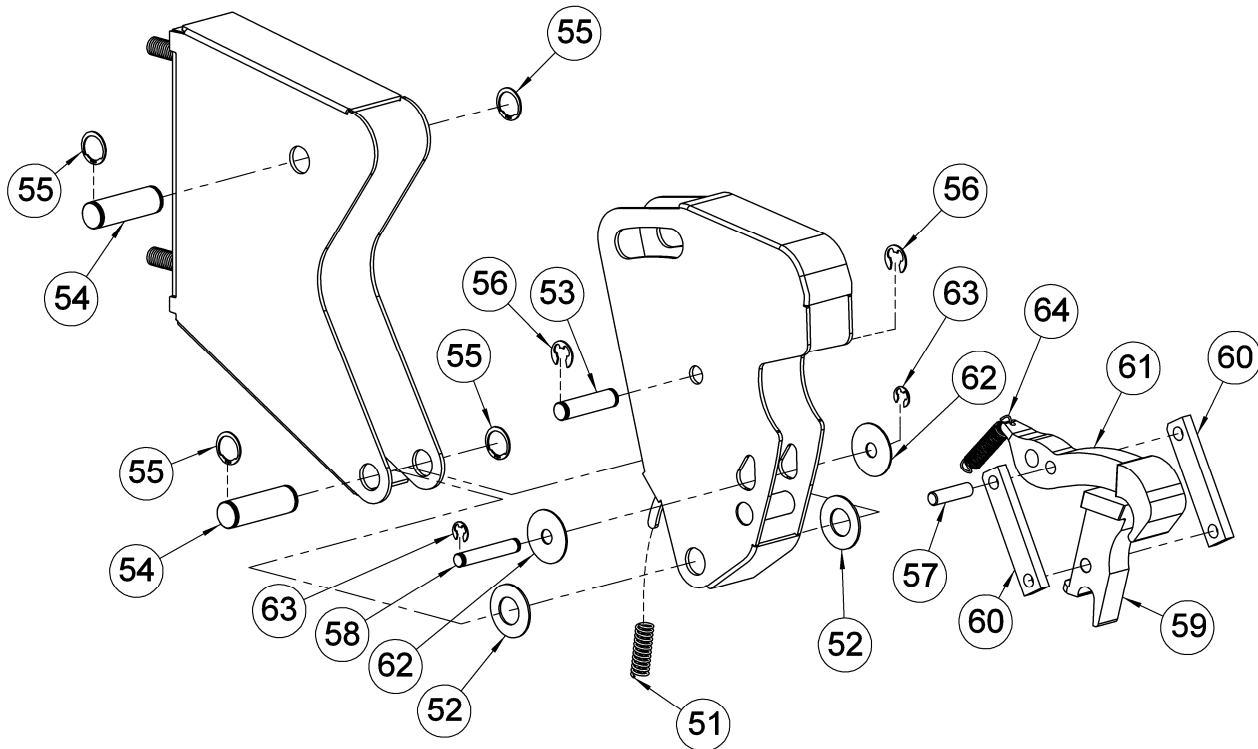


Part 3360SS-P

Stainless Steel Head Assembly

SN 0212 to Current (MMYY) or 400000 to Current



ITEM	QTY	PART	DESCRIPTION
51	1	1110-P	SPRING, COMPRESSION, 155
52	2	62-P	WASHER, 3/4 SPRING
53	1	3352SS-P	PIN, HOOK PIVOT SS 1/2 X 2.052
54	2	3860SS-P	PIVOT PIN 3/4 GROOVED, SS LDH
55	4	166SS-P	SNAP RING, EXTERNAL, SS, 82
56	2	3461SS-P	E CLIP, SS, 1/2", 82HM
57	1	3460SS-P	PIN, INNER LINK SS 3/8 X 1.437
58	1	3354SS-P	PIN, JAW LINK, SS 3/8 X 2.264
59	1	2166SSP	LOWER JAW WELD, LAMINATE, SS
60	2	3355SS-P	LINK, JAW, LDH, SS, 82HM
61	1	2165SS-P	UPPER JAW WELD, LAMINATE, SS
62	2	3362SS-P	WASHER, 3/8" FENDER, SS
63	2	3361SS-P	E CLIP, SS, 3/8" 82HM
64	1	3879-P	SPRING, LDH, RED