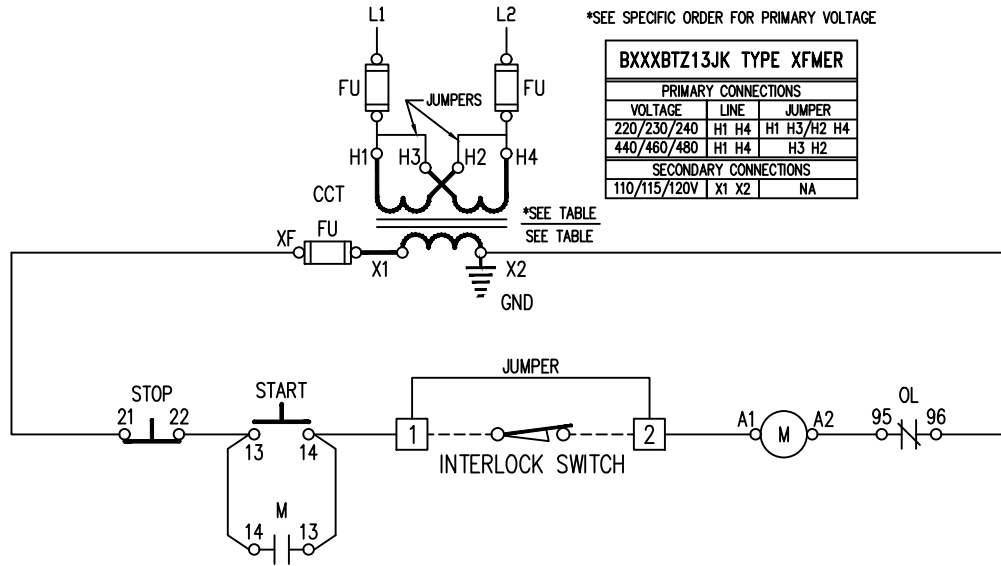


CUSTOMER TO SUPPLY PROPERLY PROTECTED
INCOMING POWER AS PER LOCAL CODES.
(USE 75°C COPPER WIRE ONLY)

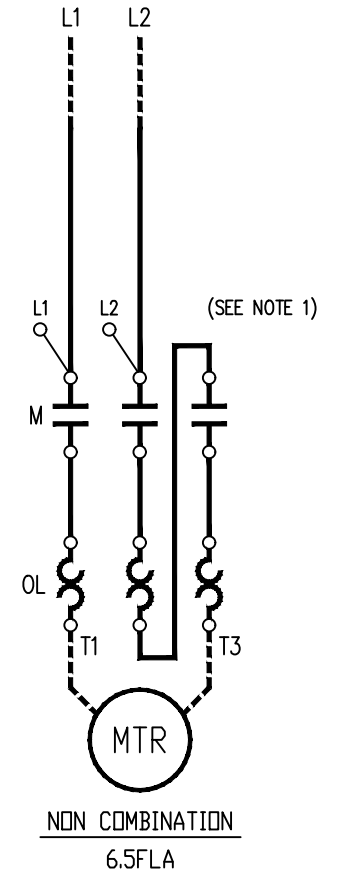
INCOMING POWER
240V 1Ø 60HZ



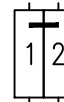
*SEE SPECIFIC ORDER FOR PRIMARY VOLTAGE

| BXXXBTZ13JK TYPE XFMR | | |
|-----------------------|-------|-------------|
| PRIMARY CONNECTIONS | | |
| VOLTAGE | LINE | JUMPER |
| 220/230/240 | H1 H4 | H1 H3/H2 H4 |
| 440/460/480 | H1 H4 | H3 H2 |
| SECONDARY CONNECTIONS | | |
| 110/115/120V | X1 X2 | NA |

*SEE TABLE
SEE TABLE



TERM. BLOCK DETAIL



NOTES:

- 1) SINGLE PHASE APPLICATIONS: 120VAC COILS AND ABOVE SHALL BE WIRED TO LINE SIDE L1 & L2.
- 2) TB JUMPER TO BE REMOVED IF INTERLOCK SWITCH IS USED.
- 3) X2 TERMINAL GROUNDED AS STANDARD, REMOVE IF NOT REQUIRED.

NOTICE

THIS DRAWING IS THE CONFIDENTIAL PROPERTY OF SPRECHER+SCHUH, INC. and, as such, is subject to recall at any time. The drawing may not be reproduced, used or disclosed for any purpose except as authorized by SPRECHER+SCHUH, INC.

DRAWN BY: MB
CHECKED BY: MH
APPROVED BY: PD
DATE: 5-16-12

CUSTOM CONTROL PANEL
FVNR W/ START/STOP
PART NUMBER - 3815C-P
AUBURN ARMATURE - MORSE MFG

sprecher+ schuh HOUSTON, TEXAS

DWG. NO. SHEET 3 OF 3 SERIES
CCP WS-615-1999 600

| REV | CHANGE | DATE | BY |
|-----|--------|------|----|
| - | - | - | - |
| - | - | - | - |
| - | - | - | - |
| - | - | - | - |
| - | - | - | - |