

**Parts List and Diagram for Morse # 400-60PL Base Assembly**  
Used on Morse 400 Series 72" Power Lift Hydra-Lift Karriers  
with 6-Digit Serial Number 000000 to 415102  
or with 4-Digit Serial Number 0217 to 0723 (MMYY)

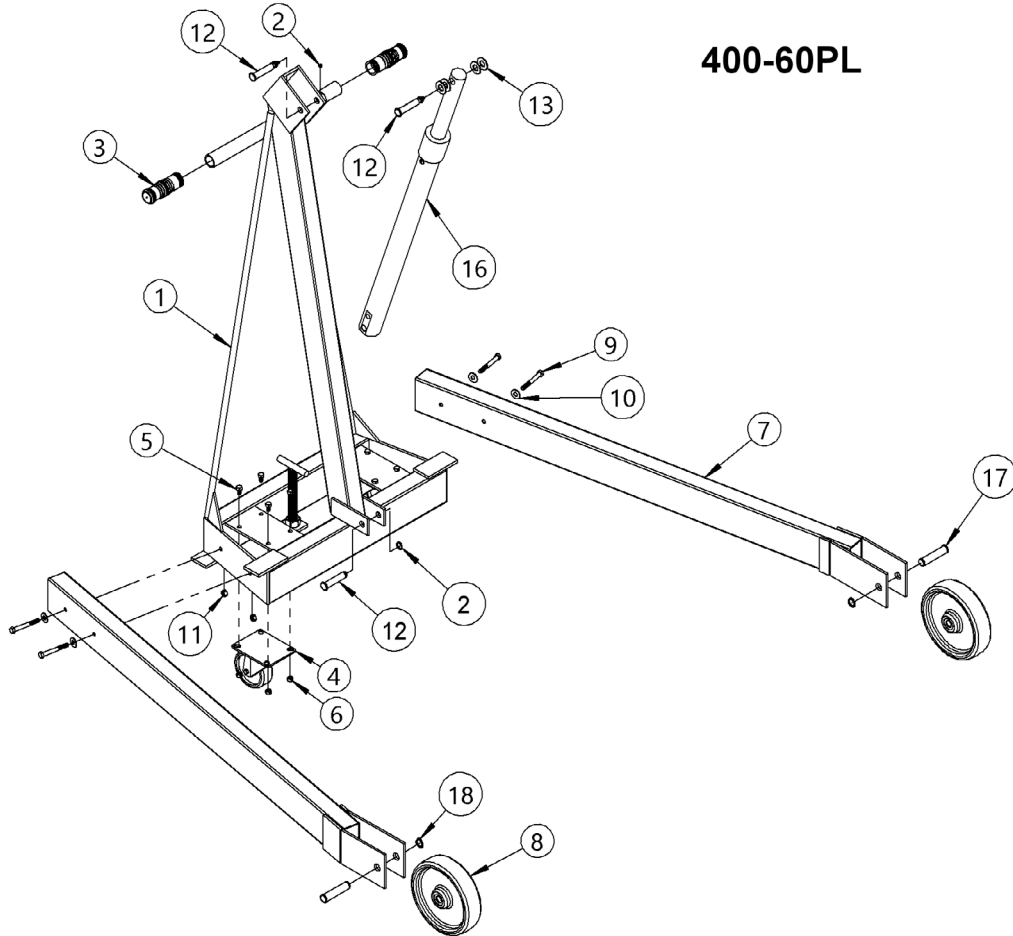
**400-60PL**



**IMPORTANT NOTE**

4-Digit serial numbers are simply the month & year of manufacture

Example: 0802 is August 2002



| ITEM NO. | PART NUMBER | DESCRIPTION                    | QTY. |
|----------|-------------|--------------------------------|------|
| 1        | 135-P       | ASM, TOWER, 400A-60 72 CASTERS | 1    |
| 2        | 1005-P      | SET SCREW, 5/16-18 X 3/8 KNURL | 2    |
| 3        | 83-P        | GRIP, HANDLE, 1-1/4 X 4-1/2    | 2    |
| 4        | 3308-P      | CASTER, 4" SWIVEL, DBL RACE    | 2    |
| 5        | 215-P       | HHCS, 5/16-18 X 5/8 GR2        | 8    |
| 6        | 1634-P      | NUT, 5/16-18 WHIZ LOCK         | 8    |
| 7        | 134-P       | LEG WELD, 400A-72, 60          | 2    |
| 8        | 87-P        | WHEEL, MORTUF, 8", 3/4" BRG    | 2    |
| 9        | 1521-P      | HHCS, 3/8-16 X 3 GR5           | 4    |
| 10       | 1166-P      | WASHER, 3/8 USS 1" OD          | 4    |
| 11       | 1169-P      | NUT, 3/8-16 REV HEX LOCK       | 4    |
| 12       | 6061-P      | PIN, CLEVIS, 400, GREASE FIT   | 3    |
| 13       | 17-P        | WASHER, 5/8 SAE FL 1-5/16 OD   | 4    |
| 16       | 783-P       | CYLINDER, 1.5 X 22.625, V FUSE | 1    |
| 17       | 5329-P      | PIN, GROOVE, 3/4 X 3.10        | 2    |
| 18       | 5330-P      | SNAP RING, EXT, HD, .078, 3/4" | 2    |