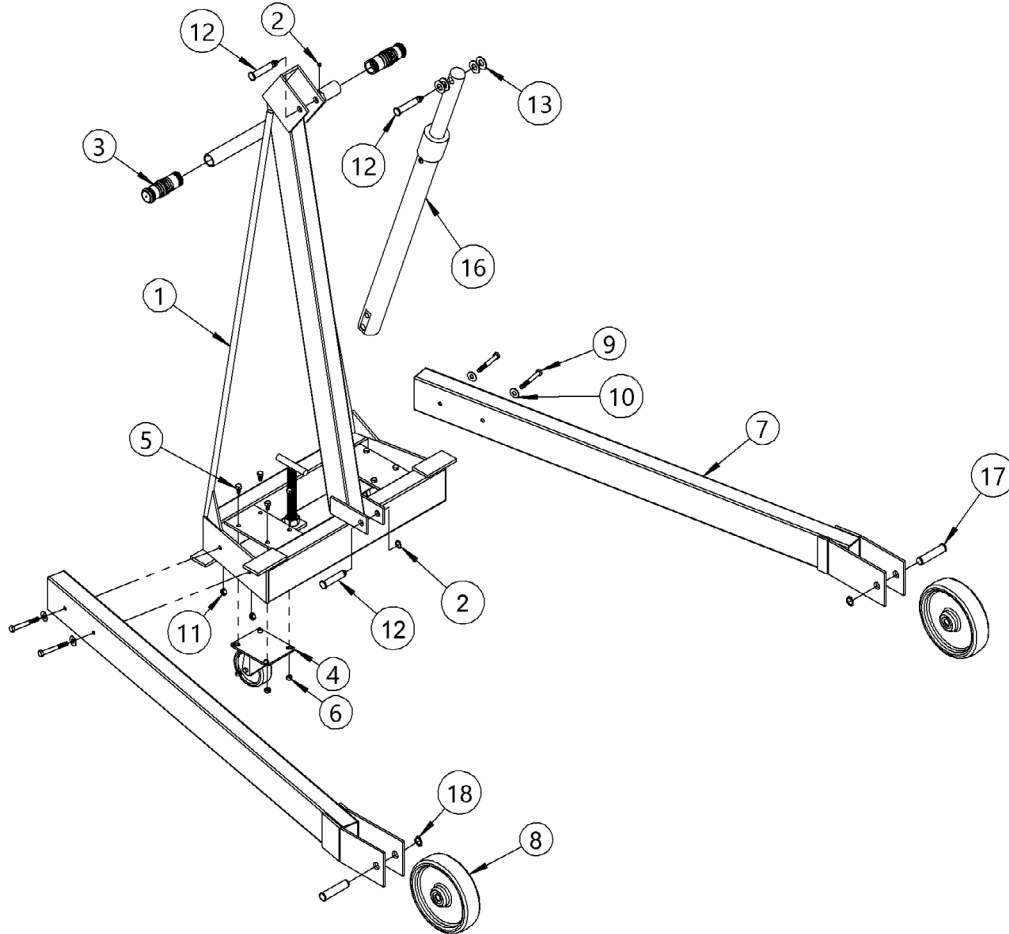


Parts List and Diagram for Morse # 400XR-60PL Base Assembly
Used on Morse 400S-XR Series Power Lift Hydra-Lift Karriers
with Serial Number 415103 to _____



ITEM NO.	PART NUMBER	DESCRIPTION	QTY.
1	135-P	ASM, TOWER, 400A-60 72 CASTERS	1
2	1005-P	SET SCREW, 5/16-18 X 3/8 KNURL	2
3	83-P	GRIP, HANDLE, 1-1/4 X 4-1/2	2
4	3308-P	CASTER, 4" SWIVEL, DBL RACE	2
5	35-P	HHCS, 5/16-18 X 1 GR2	8
6	1634-P	NUT, 5/16-18 WHIZ LOCK	8
7	134-P	LEG WELD, 400A-72, 60	2
8	87-P	WHEEL, MORTUF, 8", 3/4" BRG	2
9	1521-P	HHCS, 3/8-16 X 3 GR5	4
10	1166-P	WASHER, 3/8 USS 1" OD	4
11	3981-P	NUT, 3/8-16 NYLON LOCK	4
12	6061-P	PIN, CLEVIS, 400, GREASE FIT	3
13	17-P	WASHER, 5/8 SAE FL 1-5/16 OD	4
16	783K-P	CYLINDER, 1.5 X 22.625 SAE KFP	1
17	5329-P	PIN, GROOVE, 3/4 X 3.10	2
18	5330-P	SNAP RING, EXT, HD, .078, 3/4"	2
19	5169-P (not shown)	COUNTERWEIGHT, 400S-XR	1