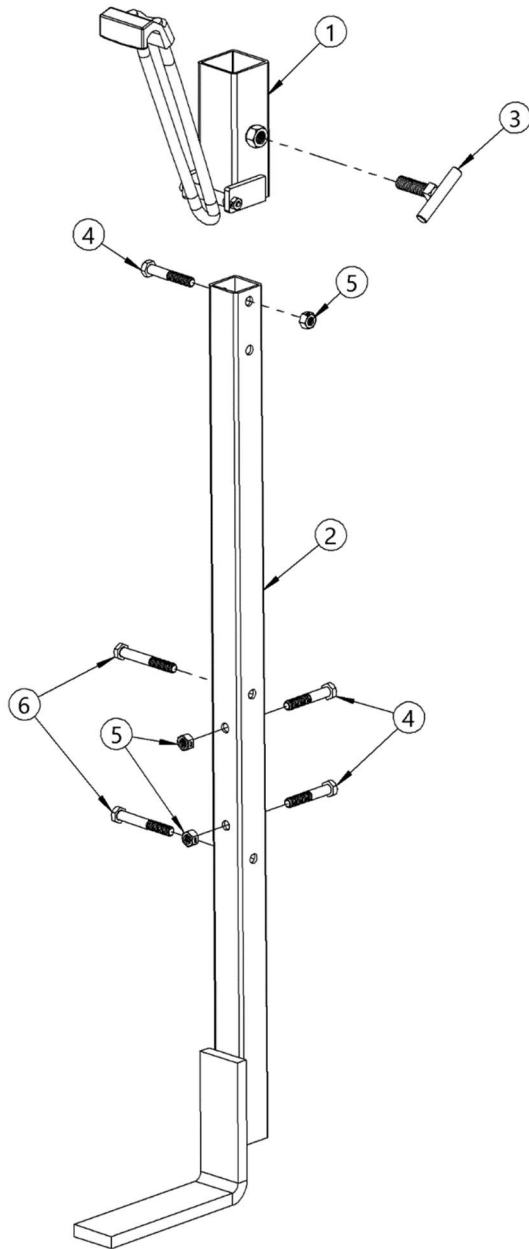


Kit 4556CM-P

Bracke, Spark Resistant, for use with Drum Cone

SN 0000 to Current (MMYY) or 400000 to Current



ITEM	QTY.	PART NUMBER	DESCRIPTION
1	1	1371CM-P	HOLD DOWN, BRACKET, CONE, SR
2	1	5108M-P	WELD, BRACKET, 35" SR
3	1	1372-P	TEE HANDLE, BRACKET ASM, 1-1/2
4	3	82-P	HHCS, 3/8-16 X 2-1/4 GR2
5	3	3981-P	NUT, 3/8-16 NYLON LOCK
6	2	1315-P	HHCS, 3/8-16 X 2-3/4 GR2