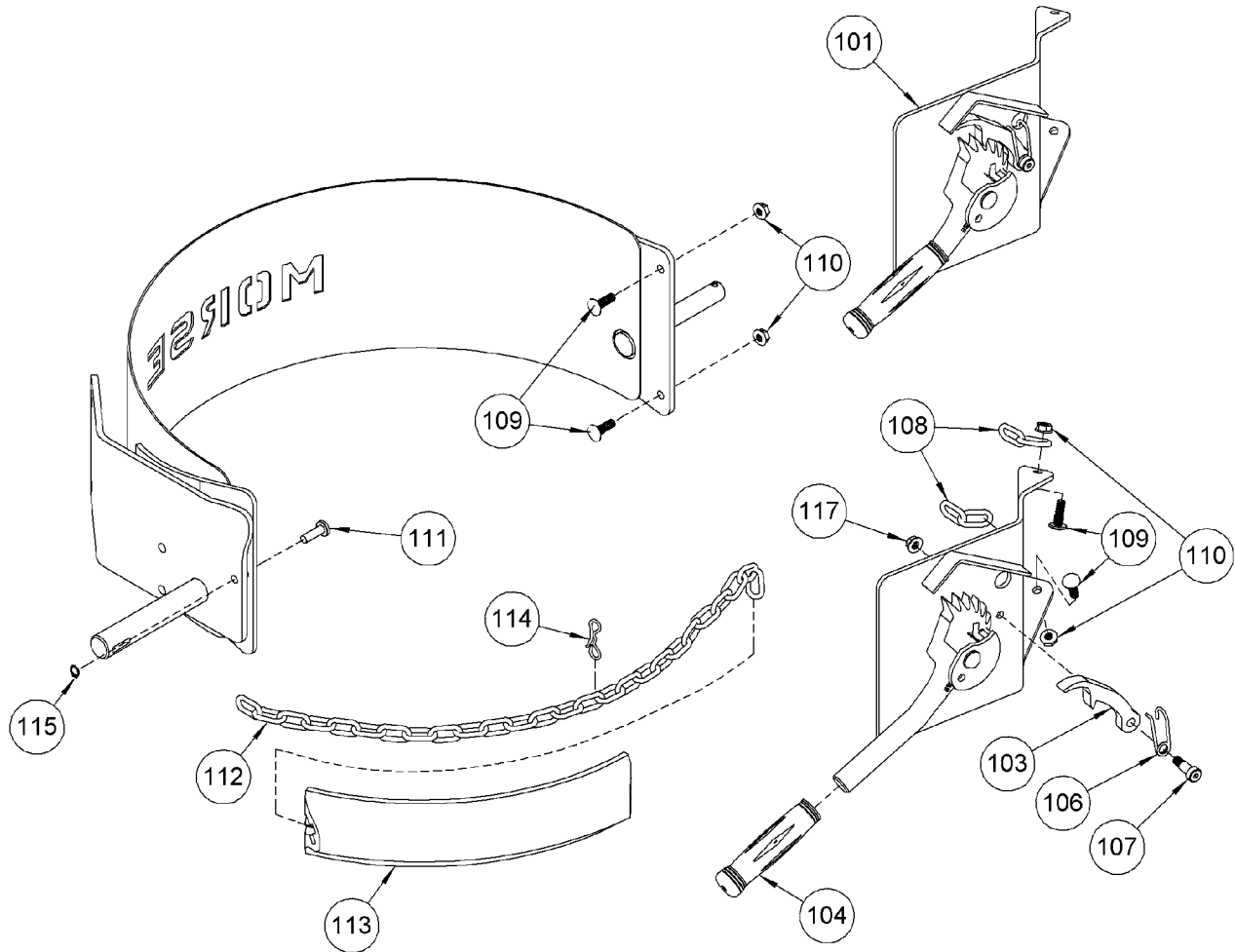


MORCINCH™ Drum Holder Assembly

Used on:

- 185A Series with Serial Number 0613 to 0124 (MMYY)
- 185A-HD Series with Serial Number 0613 to 0124 (MMYY)
- 285A and 285A-HD Series with Serial Number 0613 to 0124 (MMYY)
- 400A Series with Serial Number 0613 to 0124 (MMYY)
- 410 Series with Serial Number 0613 to 0124 (MMYY)
- 510, 520, 515 and 525 Series with Serial Number 264427 to 420549



| ITEM | QTY. | PART # | DESCRIPTION |
|------|------|---------|--------------------------------|
| 101* | 1 | 4214A-P | RATCHET PLATE CPT, MOR |
| 103 | 1 | 168-P | PAWL, WITH DRILLED HOLE |
| 104 | 1 | 136-P | GRIP, HANDLE 7/8" X 4-3/4" |
| 106 | 1 | 169-P | SPRING, PAWL |
| 107 | 1 | 170-P | SCREW, 3/8 DIA X 5/8 SHOULDER |
| 108* | 2 | 5019-P | CHAIN, HINGE, 9/32 ALLOY 2 LK |
| 109* | 4 | 4177-P | BOLT, 5/16-18 X 1 CARRIAGE RIB |

| ITEM | QTY. | PART # | DESCRIPTION |
|------|------|----------|--------------------------------|
| 110* | 4 | 4178-P | NUT, 5/16-18 FLANGE LOCK, MOR |
| 111* | 1 | 4172SP-P | PIN, S.P., CINCH CHAIN, 5000-P |
| 112* | 1 | 5017-P | CHAIN, CINCH, 9/32, 38 LINK |
| 113* | 1 | 4414-P | COVER, CINCH CHAIN, FLEX PVC |
| 114 | 1 | 4710-P | PIN, BOW TIE COTTER, MOR |
| 115* | 1 | 4744-P | SNAP RING, EXTERNAL, 3/8" |
| 117 | 1 | 1634-P | NUT, 5/16-18 WHIZ LOCK |

* Recommended spare parts.