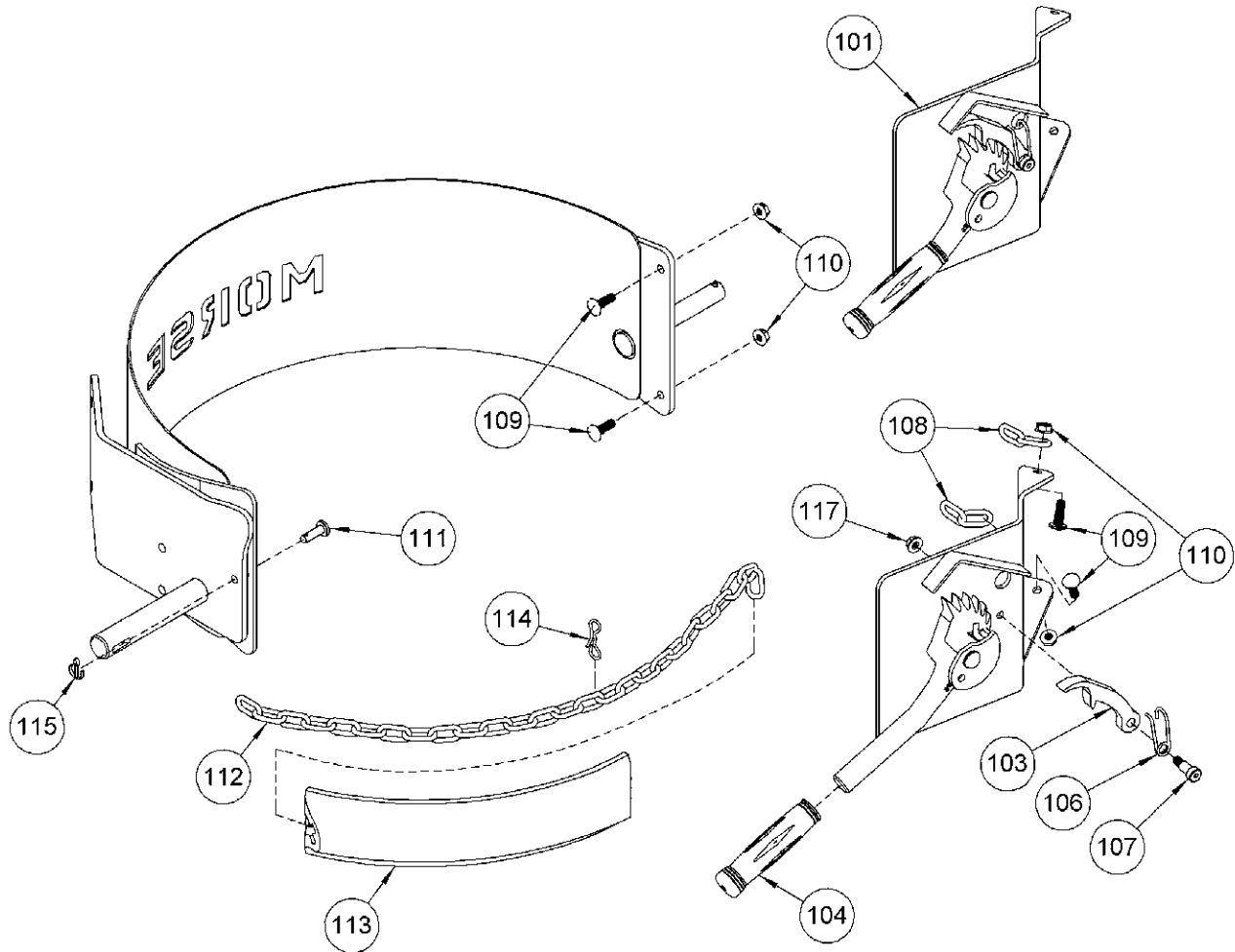


**MORCINCH™ Drum Holder Assembly**

Used on:

- 185A Series with Serial Number 1210 to 0513 (MMYY)
- 185A-HD Series with Serial Number 1210 to 0513 (MMYY)
- 285A and 285A-HD Series with Serial Number 1210 to 0513 (MMYY)
- 400A Series with Serial Number 1210 to 0513 (MMYY)
- 410 Series with Serial Number 1210 to 0513 (MMYY)
- 510, 520, 515 and 525 Series with Serial Number 249855 to 264426



ITEM	QTY.	PART #	DESCRIPTION
101*	1	4214A-P	RATCHET PLATE CPT, MOR
103	1	168-P	PAWL, WITH DRILLED HOLE
104	1	136-P	GRIP, HANDLE 7/8" X 4-3/4"
106	1	169-P	SPRING, PAWL
107	1	170-P	SCREW, 3/8 DIA X 5/8 SHOULDER
108*	2	5019-P	CHAIN, HINGE, 9/32 ALLOY 2 LK
109*	4	4177-P	BOLT, 5/16-18 X 1 CARRIAGE RIB

ITEM	QTY.	PART #	DESCRIPTION
110*	4	4178-P	NUT, 5/16-18 FLANGE LOCK, MOR
111*	1	4172-P	PIN, CLEVIS, CINCH CHAIN 8.5MM
112*	1	5017-P	CHAIN, CINCH, 9/32, 38 LINK
113*	1	4414-P	COVER, CINCH CHAIN, FLEX PVC
114	1	4710-P	PIN, BOW TIE COTTER, MOR
115*	1	4678-P	COTTER PIN, 1/8" X 3/4"
117	1	1634-P	NUT, 5/16-18 WHIZ LOCK

\* Recommended spare parts.