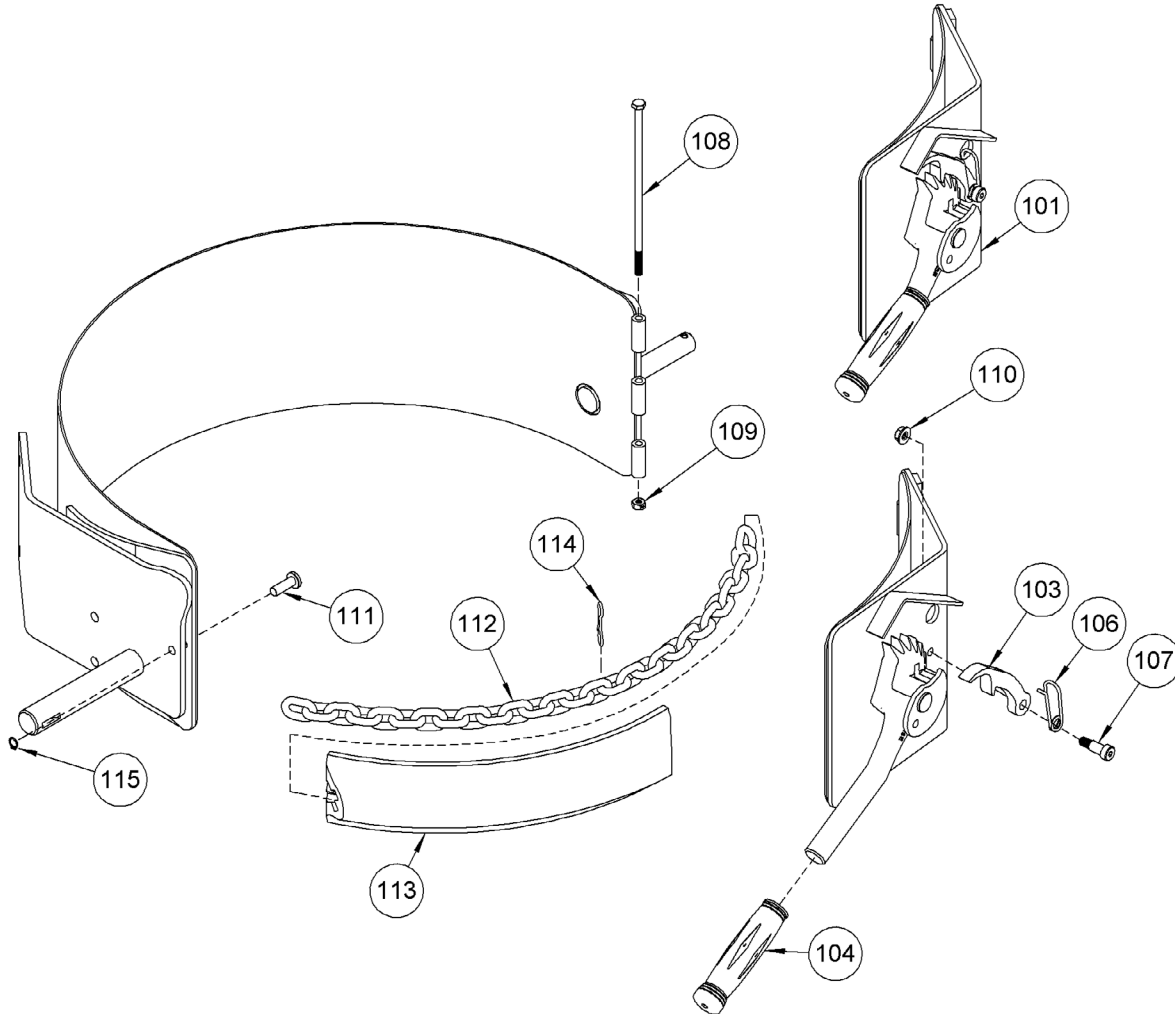


MORCINCH™ Drum Holder Assembly with Spark Resistant Parts

Used on:

- 185AM Series with 4-Digit Serial Number 0613 to 0124 (MMYY)
- 185AM-HD Series with 4-Digit Serial Number 0613 to 0124 (MMYY)
- 285AM and 285AM-HD Series with 4-Digit Serial Number 0613 to 0124 (MMYY)
- 400AM Series with 4-Digit Serial Number 0613 to 0124 (MMYY)
- 510M, 520M, 515M and 525M Series with 6-Digit Serial Number 264427 to 420549



ITEM	QTY.	PART #	DESCRIPTION
101*	1	4214AM-P	RATCHET HINGE CPT, MOR, SR
103	1	168-P	PAWL, WITH DRILLED HOLE
104	1	4409-P	GRIP, HANDLE 7/8" X 4-3/4" RED
106	1	169-P	SPRING, PAWL
107	1	170-P	SCREW, 3/8 DIA X 5/8 SHOULDER
108	1	1296-P	HHCS, 1/4-20 X 7-1/2 GR5
109	1	1297-P	NUT, 1/4-20 REV HEX LOCK

ITEM	QTY.	PART #	DESCRIPTION
110	1	1634-P	NUT, 5/16-18 WHIZ LOCK
111*	1	4172SP-P	PIN, S.P., CINCH CHAIN, 5000-P
112*	1	4408-P	CHAIN, CINCH, 9/32 SS, 38 LINK
113*	1	4414-P	COVER, CINCH CHAIN, FLEX PVC
114	1	4710-P	PIN, BOW TIE COTTER, MOR
115*	1	4744-P	SNAP RING, EXTERNAL, 3/8"

* Recommended spare parts.