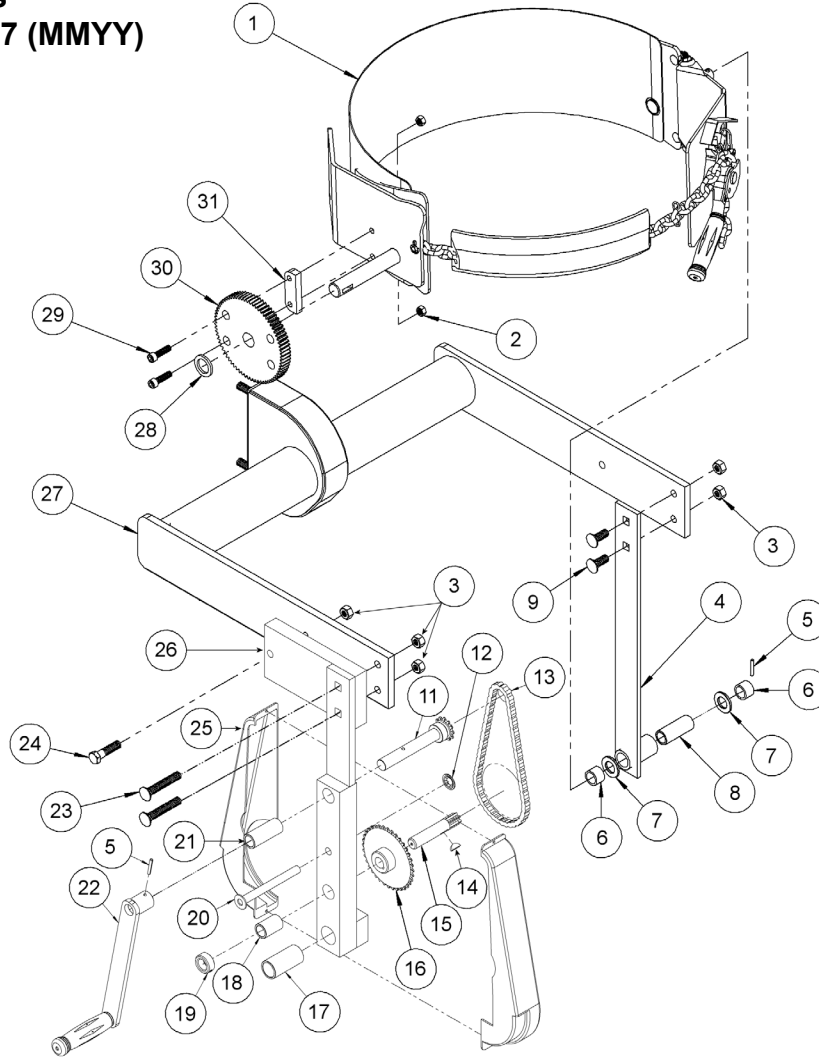


Parts Diagram for Part # 5050M-P Overhead Assembly used on 82AM-GT Series with Spark Resistant Parts Serial Number 0315 to 0117 (MMYY)

IMPORTANT NOTE

4-Digit serial numbers are simply the month & year of manufacture

Example: 0802 is August 2002



ITEM	QTY.	PART #	DESCRIPTION
1	1	5000M-P	SADDLE ASM, MORCINCH, MOR, SR
2	2	1169-P	NUT, 3/8-16 REV HEX LOCK
3	5	810-P	NUT, 1/2-13 REV HEX LOCK
4	1	5052B-P	IDLER ARM W/ BRG, 82A GEARED
5 *	2	64-P	ROLL PIN, 3/16 X 1-1/4
6	2	1411-P	SPACER, SHAFT W/ 12T SPROCKET
7	2	55-P	WASHER, 3/4 SAE FL 1-1/2 OD
8 *	1	19-P	BEARING, 3/4" ID X 2-1/2"
9	2	805-P	BOLT, 1/2-13 X 1-1/4 CARRIAGE
11 *	1	5135-P	SHAFT, 12T SPROCKET & SPACER
12 *	1	1035SS-P	COLLAR, 1/2" ID, SS
13 *	1	12-P	CHAIN, ROLLER, #35 W/ M LINK
14 *	1	735-P	KEY, WOODRUFF, SIZE 9, ASA606
15 *	1	14-P	GEAR, PINION, 7 TOOTH
16 *	1	13-P	SPROCKET #35 36T, 3/4" BORE

ITEM	QTY.	PART #	DESCRIPTION
17 *	1	18-P	BEARING, 1" ID X 2-1/2"
18 *	1	7-P	BEARING, 3/4" ID X 1-1/2"
19	1	15-P	COLLAR, 3/4" ID
20 *	1	100SS-P	STOP PIN, HAND CRANK, 1/2", SS
21 *	1	19-P	BEARING, 3/4" ID X 2-1/2"
22 *	1	5U-P	HAND CRANK, W/ SOCKET TUBE
23	2	806-P	BOLT, 1/2-13 X 3 CARRIAGE
24	1	1168-P	HHCS, 1/2-13 X 2 GR2
25	1	4285-P	COVER SET, BLK POLY 30:1 REG
26	1	5055W-P	POWER ARM ASM, BOLT ON, 82A
27	1	5051-P	OVERHEAD WELD, 82A, 82GT
28	1	29-P	SPACER, SPUR GEAR .15"
29	2	4370-P	SHCS, 3/8-16 X 1-3/8
30 *	1	23-P	GEAR, SPUR, 72T, 1" HOLE
31	1	4473-P	SPACER, SPUR GEAR, MOR

* Recommended spare parts.