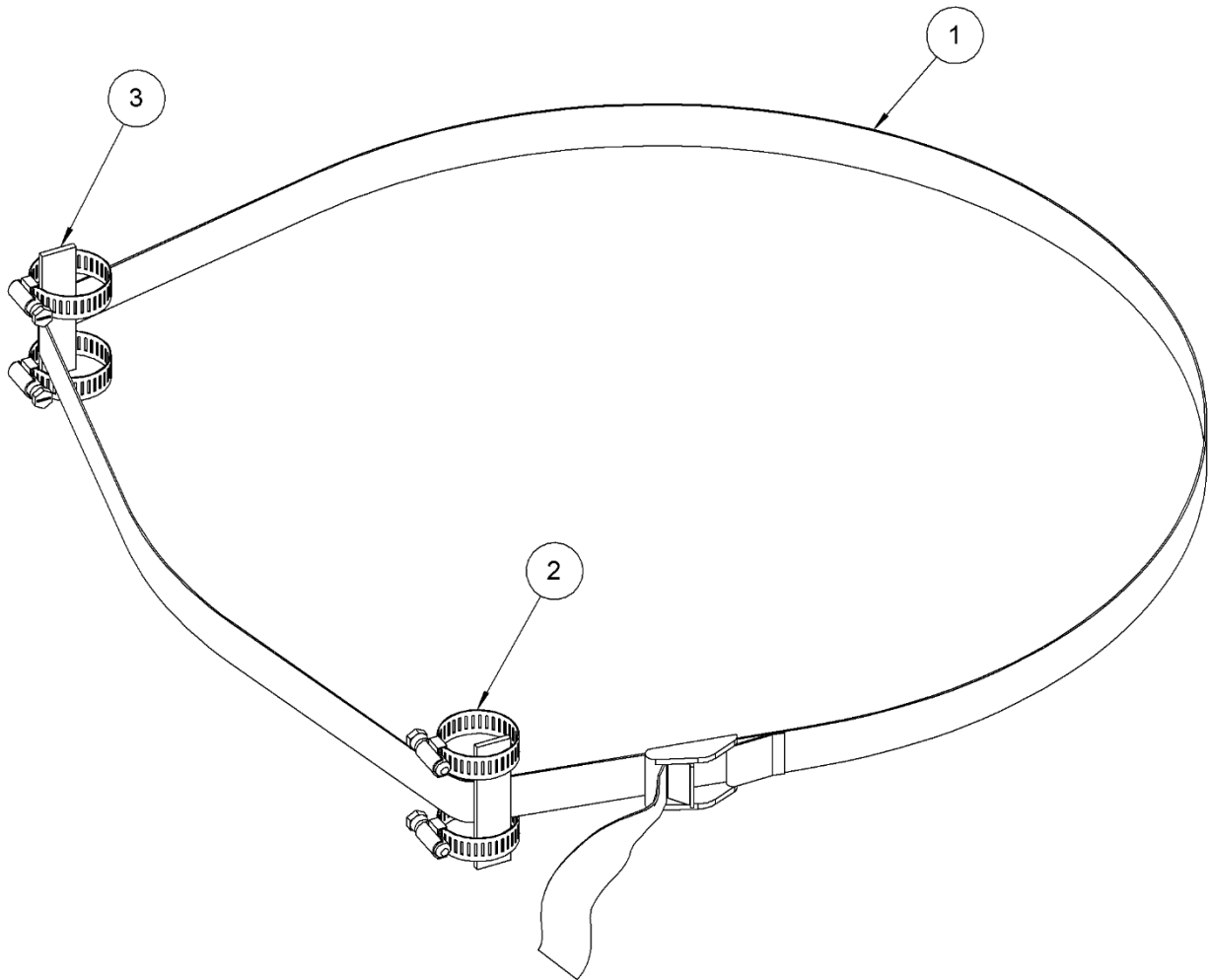


**Kit 5058-P**

Web Strap Kit for 160 Series

S/N 0511 to Current (MMYY) or 400000 to Current



ITEM	QTY.	PART NUMBER	DESCRIPTION
1	1	5060-P	WEB STRAP 1"X 8' CUT LASHING
2	4	5057-P	CLAMP, HOSE, WORM SS 160
3	2	5059-P	CLAMP PLATE, STRAP, 160