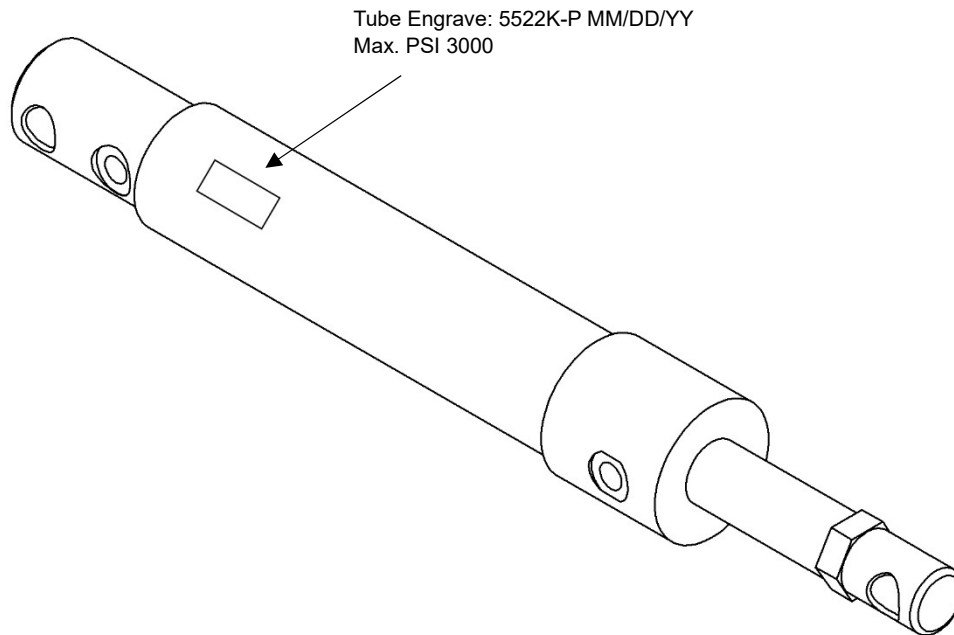


Used on:

- Model 285A-BP and 285XBP Forklift-Karriers with serial number 414762 to Current
- Model 289C and 289F Forklift Mounted Drum Rackers with serial number 415288 to Current
- 611 and 620 Series MORStak™ Drum Rackers with serial numbers 414047 to Current
- Model 910 < PILOT > MORStak™ Drum Racker with serial numbers 409160 to Current
- Model 290F Grip+GO™ Power-Grip Forklift Drum Handler with serial number 417374 to Current



QTY	PART	DESCRIPTION
1	5522K-P	CYLINDER, 2 X 10 DBL ACT, KFP
1	6748-P	KIT, SEAL, 2" CYL, 5522K-P

Note:

Stroke is 10" (25.4 cm)

Length Closed: 19-3/4" to 20-1/8" (50.2 to 51.1 cm) Center to Center

Length Fully Extended: 29-3/4" to 30-1/8" (75.6 to 76.5 cm) Center to Center

\* The 5522K-P Cylinder might be replaced with an alternate part, due to stock shortages, lead times and availability. Alternate parts are commonly purchased from different vendors and have the same form, fit and function as original part, making them interchangeable.