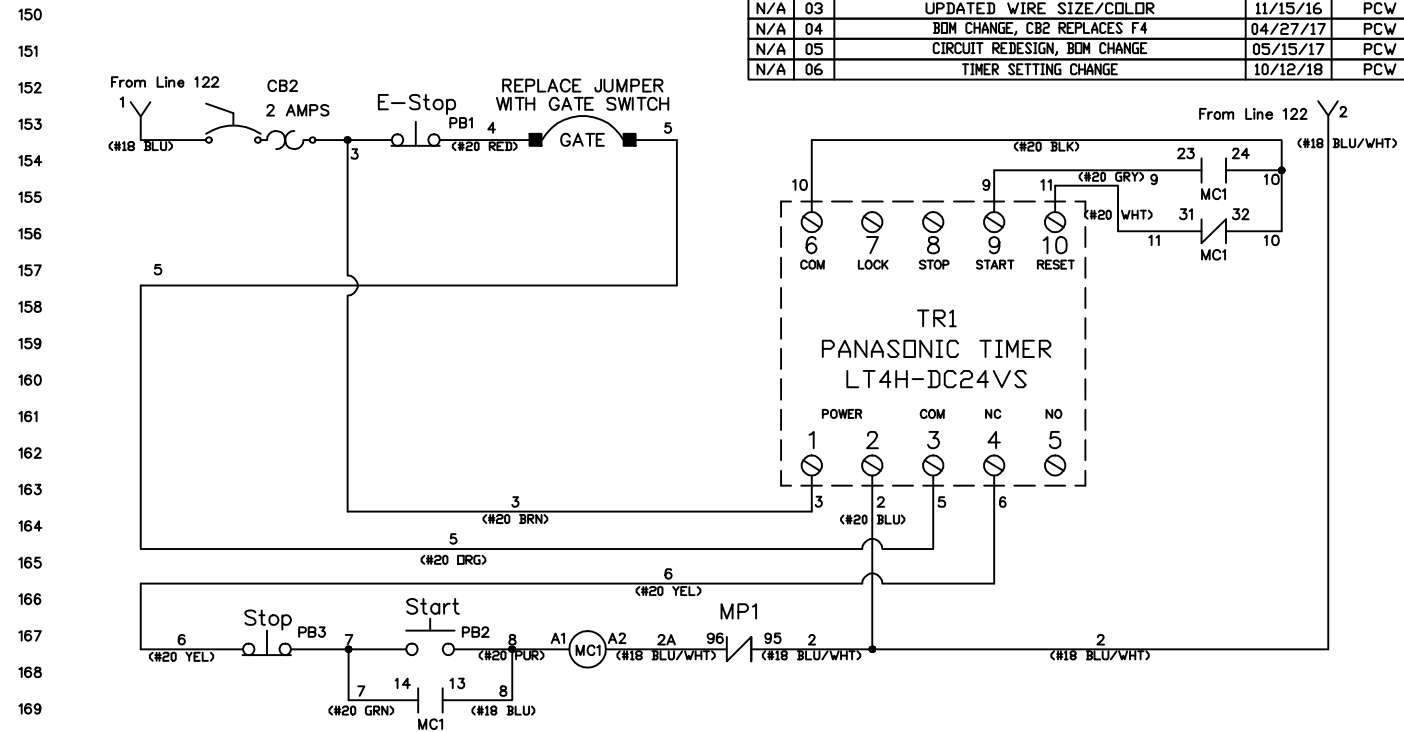
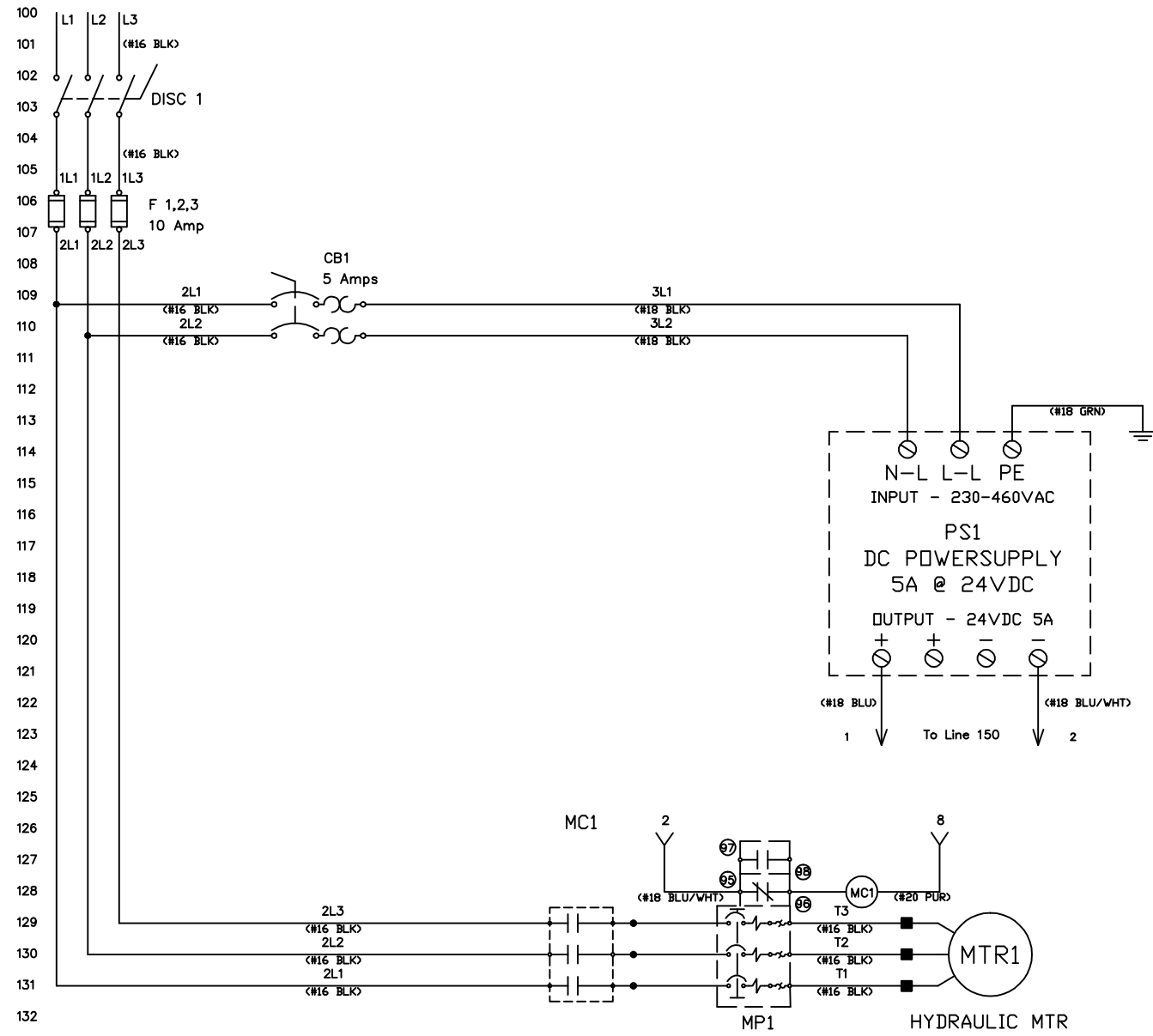


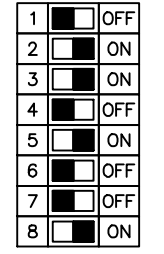
MAINS POWER
380 - 460 VAC 3 Phase
15 AMP



REV	DESCRIPTION	DATE	APPROVED
01	UPDATED WIRE SIZE/COLOR, BOM	06/12/15	PCW
02	UPDATED BOM (CHANGED OVERLOAD RELAY)	06/12/15	PCW
03	UPDATED WIRE SIZE/COLOR	11/15/16	PCW
04	BOM CHANGE, CB2 REPLACES F4	04/27/17	PCW
05	CIRCUIT REDESIGN, BOM CHANGE	05/15/17	PCW
06	TIMER SETTING CHANGE	10/12/18	PCW

MANUFACTURER	PART NUMBER	DESCRIPTION	QUANTITY
Iboco	T1-0510G	WIRE DUCT	1
Electrotech	WR-35AL/S	DIN Rail	1
Eurobox (EXM)	5412 ESCH121206	Enclosure, NEMA 4-12, 12" x 12" x 6"	1
Ferraz Shawmut	ATDR10	Class CC Fuse, 10 Amp, Time Delay	3
McMaster-Carr	5891T111	Electrical Hazard Warning Label	2
Mencom	PCG-1/2X	Cable Gland	1
Mencom	PCG-1/2	Cable Gland	2
Mencom	212PA	Nut	3
Panasonic	LT4H-DC24VS	LT4H Digital Timer, 24VDC, Relay Output	1
Sprecher+Schuh	FLEX9024B	Power Supply, Input 230/460VAC, Output 24VDC @5A	1
Sprecher+Schuh	CA8-09C-10-24D	Contactors	1
Sprecher+Schuh	CA8-P11	Auxiliary Contact Block, 1NO/1NC	1
Sprecher+Schuh	CT8-B32	Overload Relay 2.3 to 3.2A	1
Sprecher+Schuh	D7P-E202PX01	Pushbutton, Extended Black "STOP", 1NC	1
Sprecher+Schuh	D7P-F301PX10	Pushbutton, Flush Green "START", 1NO	1
Sprecher+Schuh	D7M-MT44MX01S	E-Stop Operator	1
Sprecher+Schuh	D7-15YSE112	E-Stop Inscription Ring	1
Sprecher+Schuh	LA7-16-1753	Base Mounted 3 Pole Switch	1
Sprecher+Schuh	LFS2-N-6-175	Switch Handle Assembly	1
Sprecher+Schuh	LA2-G3393	Metal Operating Shaft	1
Sprecher+Schuh	31297	Fuse Holder, 3-Pole	1
Sprecher+Schuh	V7-WG4	Ground Terminal	1
Sprecher+Schuh	V7-W4	Terminal	12
Sprecher+Schuh	V7-EA35	End Anchor	9
Sprecher+Schuh	V7-EB3	End Barrier	1
Sprecher+Schuh	V7-PP3	Partition	3
Sprecher+Schuh	V7-SM6X12	Marker Card	1
Sprecher+Schuh	L8-5/2/B	Circuit Breaker, 5 Amp, B-Curve	1
Sprecher+Schuh	L8-2/1/B	Circuit Breaker, 2 Amp, B-Curve	1
Sprecher+Schuh	V7-CJ6-2	Center Jumper	2

TIMER DIP SETTINGS



DESIGNED BY	PCW
CHECKED BY	PCW
DATE DRAWN	04/14/2015
DATE GOOD	10/12/2018

AACI
APPLIED AUTOMATION CONTROLS INC.
1240 WOLF STREET, SYRACUSE NY 13208
PHONE 315-453-5670 FAX 315-453-5681

THIS MATERIAL IS THE EXCLUSIVE PROPERTY OF AACI. ANY REPRODUCTION OR TRANSMISSION OF THIS MATERIAL OR INFORMATION CONTAINED HEREIN WITHOUT THE WRITTEN CONSENT OF AACI IS STRICTLY PROHIBITED.

TITLE	MORSE 5538-P (ELECTRICAL)	DRAWING NO.	AACI041415A	SHEET	1 of 1	REV	06
-------	---------------------------	-------------	-------------	-------	--------	-----	----