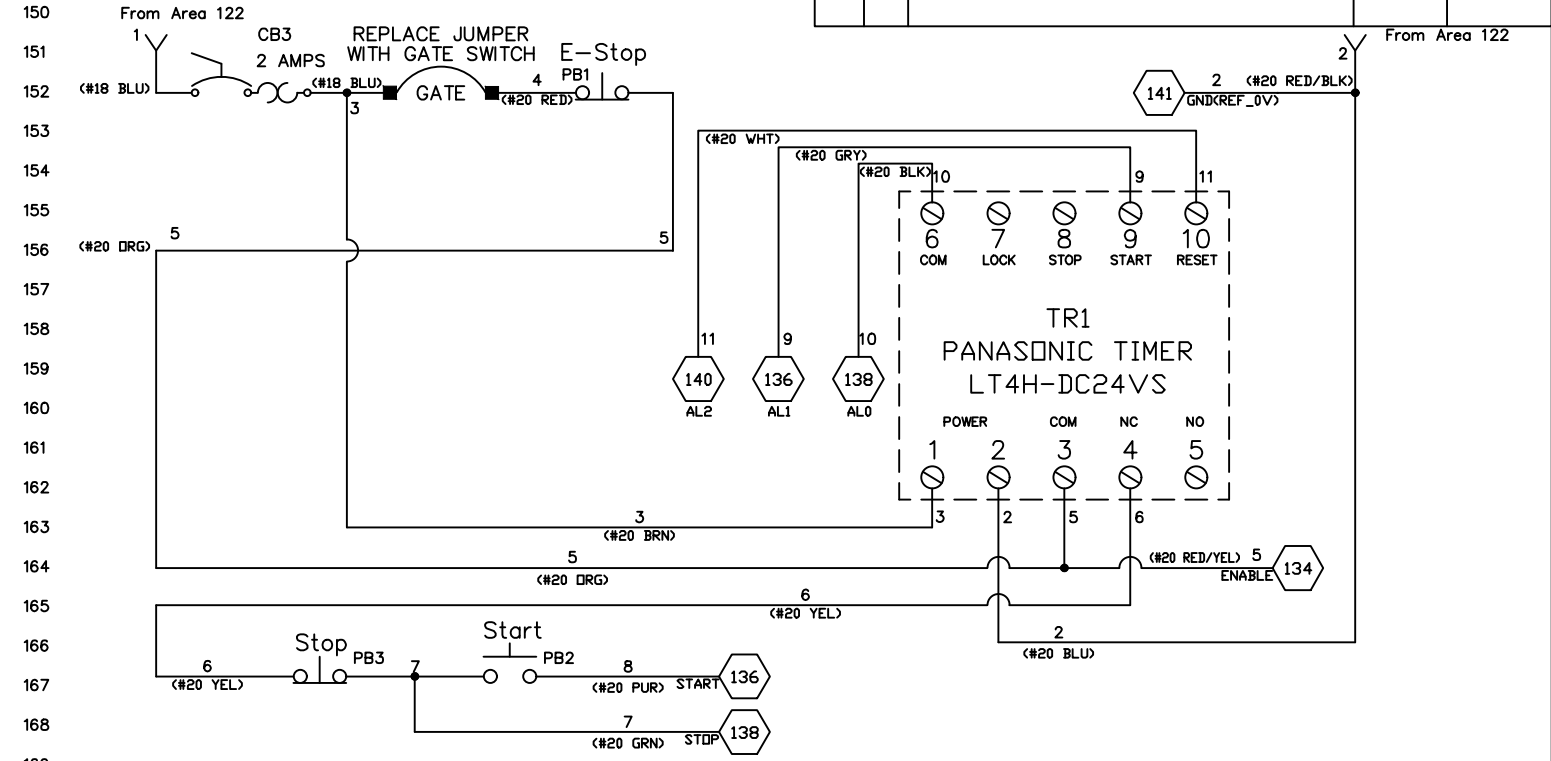
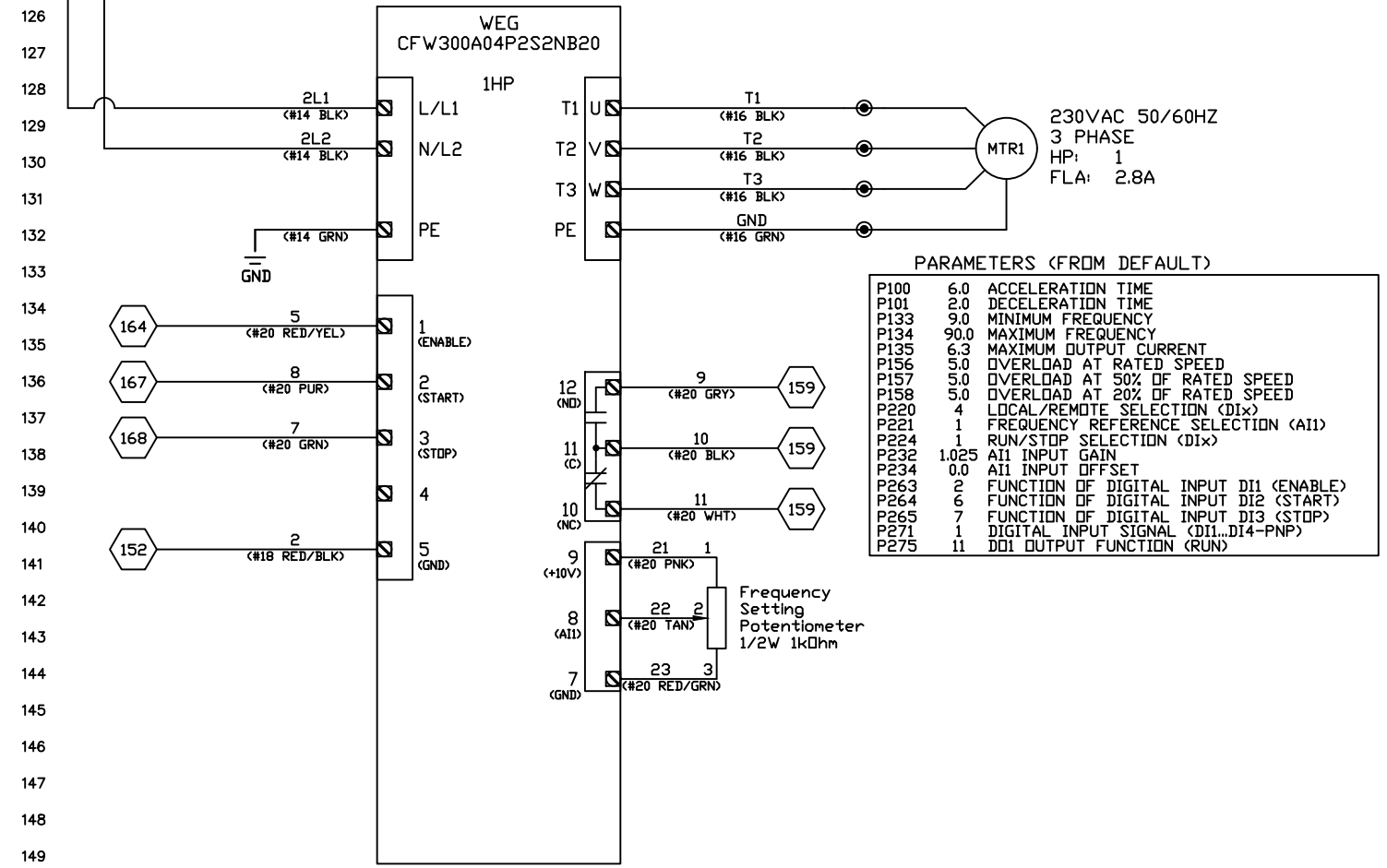
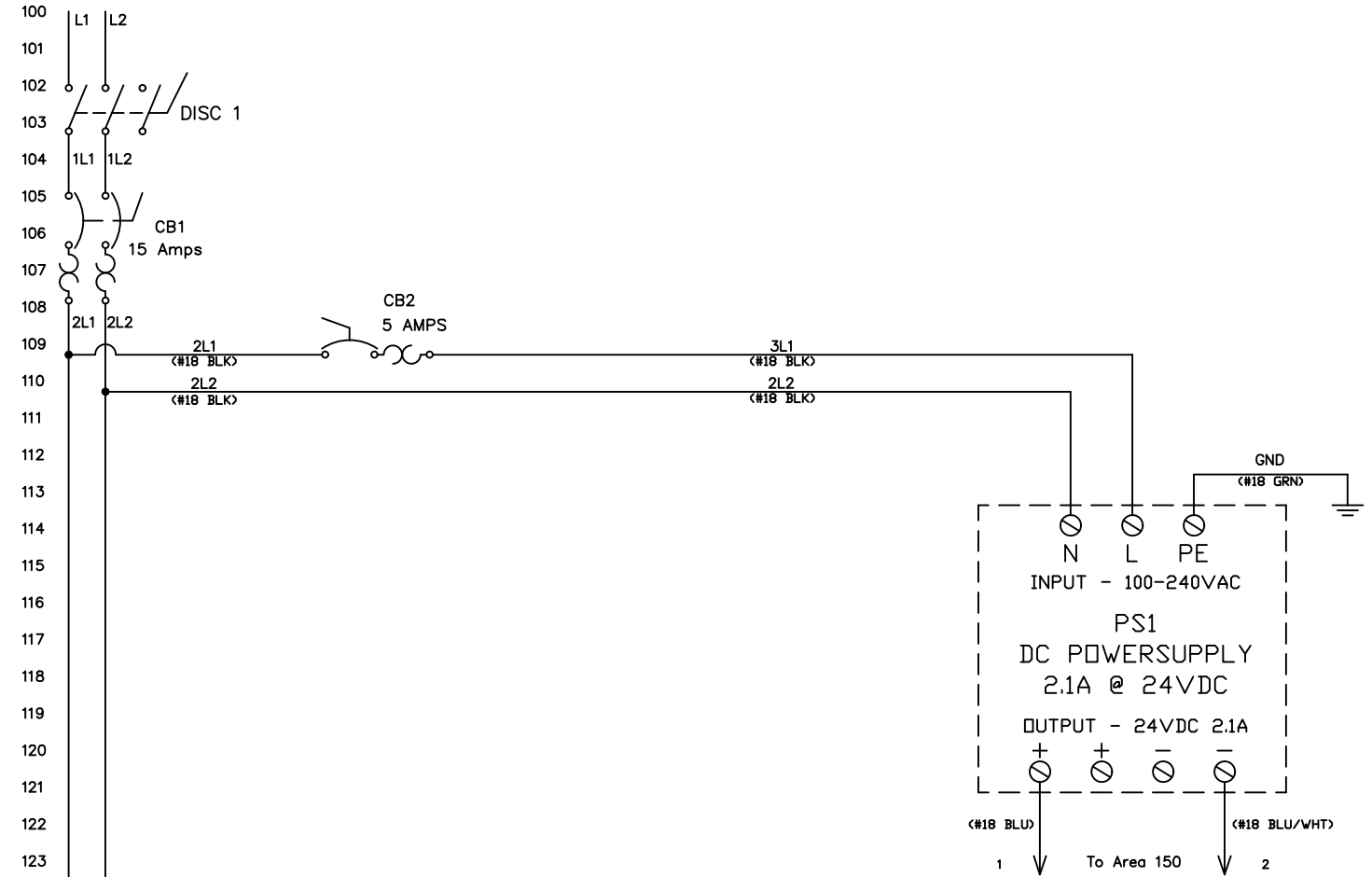
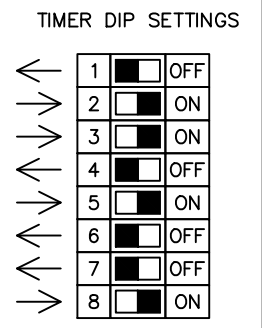


MAINS POWER
230 VAC 1 Phase
15 AMP



*MANUFACTURER	*PART NUMBER	DESCRIPTION	QUANTITY
Eurobex (EXM)	5412 ES161608	Enclosure, 16" x 16" x 8"	1
Emerson-Sola	SVL 2-24-100	Power Supply, Input 100-240VAC, Output 24VDC @2.1A	1
Panasonic	LT4H-DC24VS	Panasonic Digital Timer	1
WEG	CFW300A04P2S2NB20	WEG CFW300 VFD, 1HP @ 230VAC 1-PHASE	1
Sprecher+Schuh	D7P-POT5A	Potentiometer, 5K	1
WEG	CSW-B55-WH	Pushbutton, Extended Black	1
WEG	CSW-BF2-WH	Pushbutton, Flush Green	1
WEG	CSW-BESG-WH	E-Stop Operator, Twist-To-Release, 42mm	1
WEG	AF3F	Mounting Flange	3
WEG	BCM01F-CSW	Contact Block, NC, Self-Monitoring	1
WEG	BC01F-CSW	Contact Block, NC	1
WEG	BC10F-CSW	Contact Block, NO	1
WEG	MSW 40 B-3 H	Base Mounted 3 Pole Switch w/Handle	1
WEG	MSW HS 185-40	Metal Operating Shaft	1
Sprecher+Schuh	D7-15YSE112	E-Stop Inscription Ring	1
Sprecher+Schuh	L9-15/2/D	Circuit Breaker, 15Amp, D-Curve	1
Sprecher+Schuh	L8-5/2/B	Circuit Breaker, 5Amp, B-Curve	1
Sprecher+Schuh	L8-2/1/B	Circuit Breaker, 2Amp, B-Curve	1
Iboco	OMEGA 3FAL1	DIN Rail, 35mm x 1meter	1
Iboco	T1-0510G	WIRE DUCT, 0.50" x 1.0" x 2M	1
Sprecher+Schuh	V7-WG4	Ground Terminal	2
Sprecher+Schuh	V7-W4	Terminal	11
Sprecher+Schuh	V7-EA35	End Anchor	11
Sprecher+Schuh	V7-EB3	End Barrier	3
Sprecher+Schuh	V7-PP3	Partition	1
Sprecher+Schuh	V7-SM6X12	Marker Card	1
Sprecher+Schuh	V7-CJ6-2	Center Jumper	1
McMaster-Carr	5891T111	Electrical Hazard Warning Label, 1-3/4"W x 2-1/2"H	1
		Legend Plate, 0.75" x 0.75", "0/STOP"	1
		Legend Plate, 0.75" x 0.75", " /START"	1
		Legend Plate, 0.75" x 2.00", "MOTOR SPEED CONTROL"	1
*FUNCTIONALLY EQUIVALENT COMPONENTS MAY BE SUBSTITUTED			



ZONE	REV	DESCRIPTION	REVISIONS	DATE	APPROVED
152	01	E-STOP CIRCUIT REVISION, BDM CHANGE		10/28/24	PCW

DRAWN BY PCW	<p>AACI APPLIED AUTOMATION CONTROLS INC.</p> <p>1240 WOLF STREET, SYRACUSE NY 13208 PHONE 315-453-5670 FAX 315-453-5681</p>	TITLE MORSE	DWG NO. AACI110822A	SHEET 1 of 1	REV 01	
CHKD BY PCW		DATE DRAWN 11/08/22	DATE CHKD 10/28/24			

THIS MATERIAL IS THE EXCLUSIVE PROPERTY OF AACI. ANY REPRODUCTION OR USE OF THIS MATERIAL WITHOUT THE WRITTEN CONSENT OF AACI IS PROHIBITED. THIS MATERIAL IS PROVIDED AS IS WITHOUT WARRANTY OF ANY KIND, EXPRESS OR IMPLIED, INCLUDING BUT NOT LIMITED TO THE WARRANTIES OF MERCHANTABILITY, FITNESS FOR A PARTICULAR PURPOSE AND NONINFRINGEMENT. IN NO EVENT SHALL AACI BE LIABLE FOR ANY DAMAGES, INCLUDING GENERAL, SPECIAL, INCIDENTAL OR CONSEQUENTIAL DAMAGES, ARISING OUT OF OR IN CONNECTION WITH THE USE OF THIS MATERIAL.