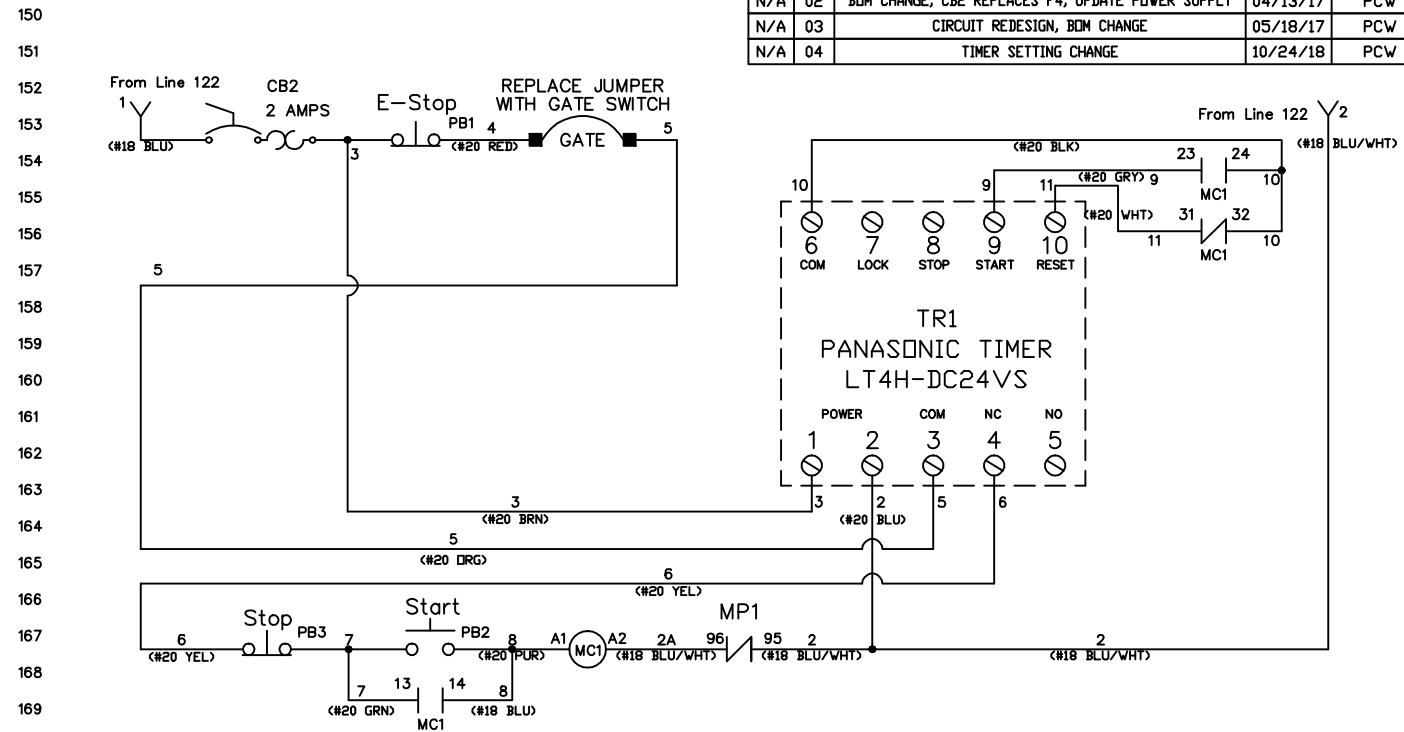
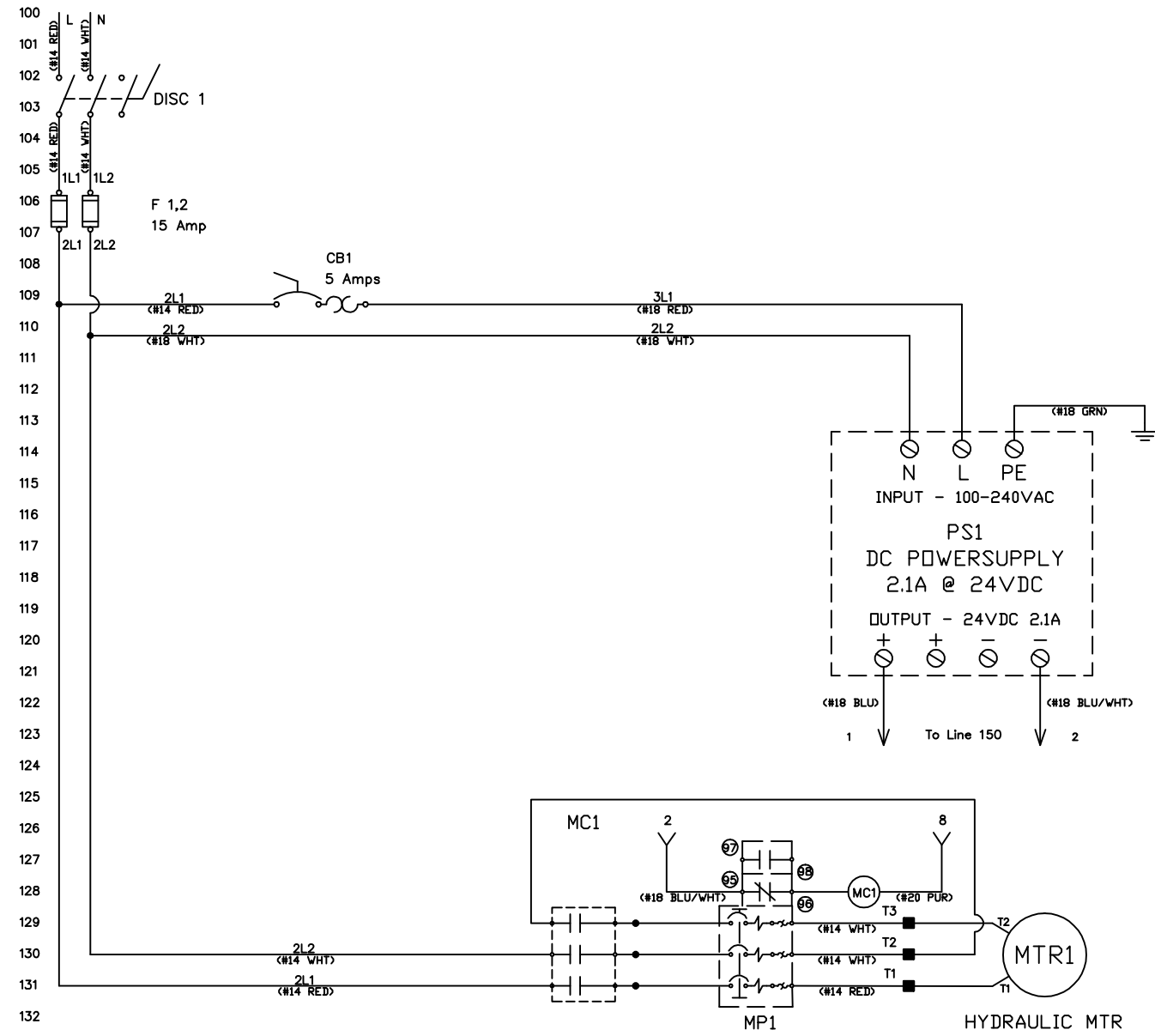
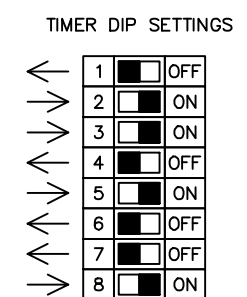


MAINS POWER  
115 VAC 1 Phase  
15 AMP



REV	DESCRIPTION	DATE	APPROVED
01	UPDATED WIRE SIZE/COLORS, MAINS POWER, GATE SWITCH	12/19/16	PCW
02	BOM CHANGE, CB2 REPLACES F4, UPDATE POWER SUPPLY	04/13/17	PCW
03	CIRCUIT REDESIGN, BOM CHANGE	05/18/17	PCW
04	TIMER SETTING CHANGE	10/24/18	PCW

MANUFACTURER	PART NUMBER	DESCRIPTION	QUANTITY
Iboco	T1-0510G	WIRE DUCT	1
Electrotech	WR-35AL/S	DIN Rail	1
Eurobox (EXM)	5412 ESCH141206	Enclosure, NEMA 4-12, 14" x 12" x 6"	1
Ferraz Shawmut	ATDR15	Class CC Fuse, 15 Amp, Time Delay	2
McMaster-Carr	5891T111	Electrical Hazard Warning Label	2
Mencom	PCG-1/2X	Cable Gland	1
Mencom	PCG-1/2	Cable Gland	2
Mencom	212PA	Nut	3
Panasonic	LT4H-DC24VS	LT4H Digital Timer, 24VDC, Relay Output	1
Emerson-Sola	SVL 2-24-100	Power Supply, Input 100-240VAC, Output 24VDC @2.1A	1
Sprecher+Schuh	CA7-16E-10-24E	Contactor	1
Sprecher+Schuh	CA7-PV-S11	Auxiliary Contact Block, 1NO/1NC	1
Sprecher+Schuh	CT7N-23-C16	Overload Relay 11.3 to 16A	1
Sprecher+Schuh	D7P-E202PX01	Pushbutton, Extended Black "STOP", 1NC	1
Sprecher+Schuh	D7P-F301PX10	Pushbutton, Flush Green "START", 1NO	1
Sprecher+Schuh	D7M-MT44MX01S	E-Stop Operator	1
Sprecher+Schuh	D7-15YSE112	E-Stop Inscription Ring	1
Sprecher+Schuh	LA7-16-1753	Base Mounted 3 Pole Switch	1
Sprecher+Schuh	LFS2-N-6-175	Switch Handle Assembly	1
Sprecher+Schuh	LA2-G3393	Metal Operating Shaft	1
Sprecher+Schuh	31 296	Fuse Holder, 2-Pole, CC Class	1
Sprecher+Schuh	V7-WG4	Ground Terminal	1
Sprecher+Schuh	V7-W4	Terminal	10
Sprecher+Schuh	V7-EA35	End Anchor	9
Sprecher+Schuh	V7-EB3	End Barrier	1
Sprecher+Schuh	V7-PP3	Partition	3
Sprecher+Schuh	V7-SM6X12	Marker Card	1
Sprecher+Schuh	L8-5/1/B	Circuit Breaker, 5 Amp, B-Curve	1
Sprecher+Schuh	L8-2/1/B	Circuit Breaker, 2 Amp, B-Curve	1
Sprecher+Schuh	V7-CJ6-2	Center Jumper	2



145

146

147

148

149

150  
151  
152  
153  
154  
155  
156  
157  
158  
159  
160  
161  
162  
163  
164  
165  
166  
167  
168  
169  
170  
171  
172  
173  
174  
175  
176  
177  
178  
179  
180  
181  
182  
183  
184  
185  
186  
187  
188  
189  
190  
191  
192  
193  
194  
195  
196  
197  
198  
199

THIS MATERIAL IS THE EXCLUSIVE PROPERTY OF ACSI APPLIED AUTOMATION CONTROLS INC. AND MUST BE RETURNED TO ACSI IMMEDIATELY UPON REQUEST. THIS MATERIAL AND INFORMATION ILLUSTRATED OR CONTAINED HEREIN MAY NOT BE REPRODUCED, COPIED, USED OR TRANSMITTED IN ANY FORM OR BY ANY MEANS WITHOUT THE PRIOR WRITTEN CONSENT OF ACSI.

DESIGNED BY  
PCW  
CHECKED BY  
PCW  
DATE DRAWN  
05/05/16  
DATE GOOD  
10/24/18

**AACI**  
APPLIED AUTOMATION CONTROLS INC.  
1240 WOLF STREET, SYRACUSE NY 13208  
PHONE 315-453-5670 FAX 315-453-5681

TITLE MORSE 5625-P (ELECTRICAL) DWG NO. AACI050516A SHEET 1 of 1 REV 04