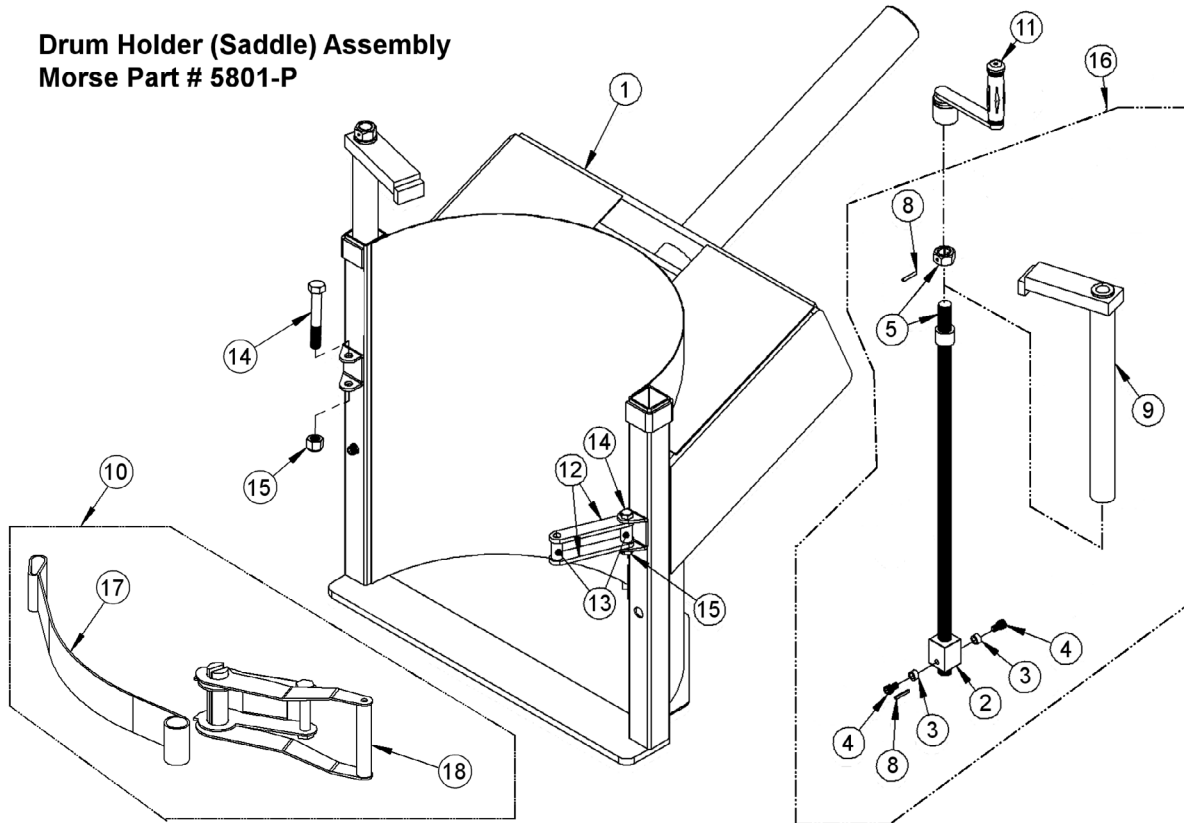


Parts Diagram for Drum Holder Used On:

- Morse 309 Series Drum Tumblers™ with Serial Numbers 295663 to 315600
- Morse 310 Tilt-To-Load Drum Tumblers with Serial Numbers 295663 to 315600
- Morse 311 Drum Tumblers with Automated Control Package with Serial Numbers 295663 to 315600

Drum Holder (Saddle) Assembly
Morse Part # 5801-P



ITEM NO.	PART NUMBER	DESCRIPTION	QTY.
1	5802-P	SADDLE WELD, 309, 310, 311	1
2	3269-P	CLAMP NUT BLOCK, 310	2
3	3271-P	CLAMP NUT BLOCK SPACER, 310	4
4	22-P	SHCS, 3/8-24 X 5/8	4
5	3272-P	CLAMP SCREW WELD, 310	2
8	64-P	ROLL PIN, 3/16 X 1-1/4	4
9	4553-P	CLAMP PIPE W/ BEARING WELD 310	2
10 *	4449-P	STRAP ASM W/ RATCHET	1
11	3145-P	HAND CRANK, W/ SOCKET, 310	1
12	5790-P	LINK, CONNECTOR, RATCHET	2
13	5792-P	SPACER, CONNECTOR, RATCHET	2
14	6272-P	HHCS, 1/2-13 X 3-1/4"	2
15	6266-P	NUT, 1/2-13 NYLON LOCK	2
16	4553F-P	CLAMP WELD / SCREW ASM 310	1
17	5497-P	WEB STRAP, POLYESTER, 4449-P	1
18	5498-P	RATCHET ONLY, WEB STRAP 4449-P	1

* Recommended spare parts