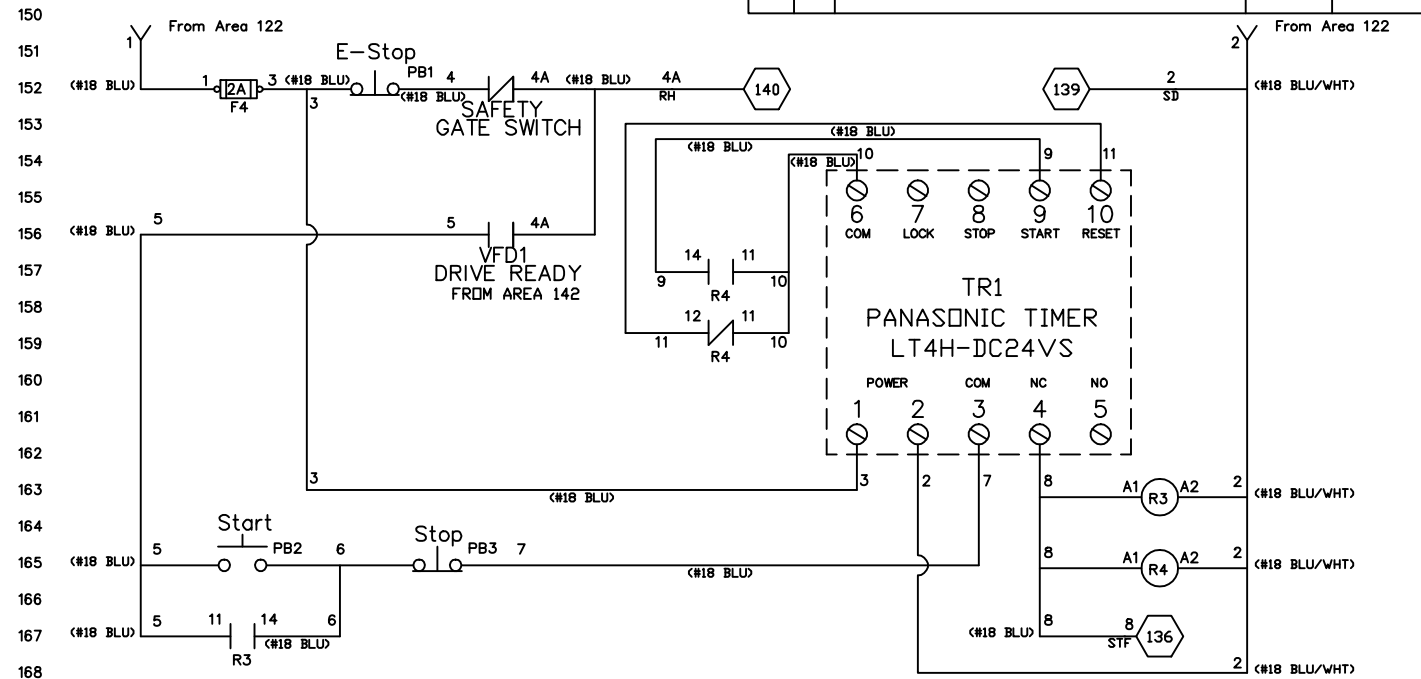


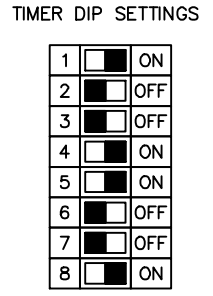
PARAMETERS (FROM DEFAULT)

Pr.1	90.0	MAXIMUM FREQ (Hz) ***
Pr.2	0	MINIMUM FREQ (Hz) ***
Pr.3	60	BASE FREQ (Hz) ***
Pr.7	6.0	ACCELERATION TIME (S)
Pr.8	2.0	DECELERATION TIME (S)
Pr.9	2.5	MOTOR NP AMPS (OL CURRENT)
Pr.17	2	MRS INPUT SELECTION
Pr.30	0	REGENERATIVE FUNCTION SELECTION ***
Pr.67	10	NUMBER OF RETRIES AT FAULT
Pr.73	1	ANALOG INPUT SELECTION ***
Pr.79	0	OPERATION MODE ***
Pr.125	90HZ	TERM 2 FREQ SETTING GAIN FREQ
Pr.160	0	EXTENDED FUNCTION ***
Pr.161	0	FREQ SETTING/KEY LOCK ***
Pr.162	10	AUTO RESTART AFTER POWER FAILURE
Pr.182	24	RH TERMINAL FUNCTION
Pr.192	11	A,B,C TERM FUNCTION SELECTION
Pr.250	9999	STOP SELECTION ***
Pr.665	100	REGENERATIVE AVOIDANCE FREQ. GAIN ***
Pr.882	1	REGENERATIVE AVOIDANCE SELECTION
Pr.883	344.0	REGENERATIVE AVOIDANCE LEVEL
Pr.885	6.0	REGENERATIVE AVOIDANCE FREQ. LIMIT ***
Pr.886	100	REGENERATIVE AVOIDANCE VOLTAGE GAIN ***
Pr.C2	9.00	TERMINAL 2 FREQ. SETTING BIAS FREQUENCY
Pr.C4	95.0	TERMINAL 2 FREQ. SETTING GAIN PERCENTAGE

***SAME AS DEFAULT



MANUFACTURER	PART NUMBER	DESCRIPTION	QUANTITY
Eurobex (EXM)	5412 ES161608	Enclosure, 16" x 16" x 8"	1
Sprecher+Schuh	FLEX6024A	Power Supply, Input 115/230VAC, Output 24VDC @ 2A	1
Panasonic	LT4H-DC24VS	Panasonic Digital Timer	1
Sprecher+Schuh	PIR6W-1P-24VDC	Relay	2
Mitsubishi	FR-D720-025-NA	Mitsubishi D700 VFD, 0.5HP @ 230VAC 3-PHASE	1
Sprecher+Schuh	D7P-POT3A	Potentiometer, 1K	1
Sprecher+Schuh	D7P-E202PX01	Pushbutton, Extended Black "STOP", 1NC	1
Sprecher+Schuh	D7P-F301PX10	Pushbutton, Flush Green "START", 1NO	1
Sprecher+Schuh	D7P-MT44	E-Stop Operator, Twist-To-Release, 40mm	1
Sprecher+Schuh	D7-ALP	Latch, Plastic	1
Sprecher+Schuh	D7-X01S	Guardian Block, NC	1
Sprecher+Schuh	D7-15YSE112	E-Stop Inscription Ring	1
Sprecher+Schuh	LA7-16-1753	Base Mounted 3 Pole Switch	1
Sprecher+Schuh	LFS2-N-6-175	Switch Handle Assembly	1
Sprecher+Schuh	LA2-G3393	Metal Operating Shaft	1
Sprecher+Schuh	31297	Fuse Holder, 3-Pole, Class CC Fuses	1
Ferraz Shawmut	ATDR10	Class CC Fuse, 10 Amp, Time Delay	3
Sprecher+Schuh	V7-WFB4	Fuse Block	1
Woertz	WF520F/2	Fuse, 2 Amp	1
Electrotech	WR-35AL/S	DIN Rail, 35mm x 1meter	1
Automation Direct	T1-0510G-1	WIRE DUCT, 0.50" x 1.0" x 2M	1
Sprecher+Schuh	V7-WG4	Ground Terminal	1
Sprecher+Schuh	V7-W4	Terminal	12
Sprecher+Schuh	V7-EA35	End Anchor	9
Sprecher+Schuh	V7-EB3	End Barrier	1
Sprecher+Schuh	V7-PP3	Partition	3
Sprecher+Schuh	V7-SM6X12 (Custom)	Marker Card (Custom Printed)	1
Sprecher+Schuh	L8-5/2/B	Circuit Breaker, 5Amp, B-Curve	1
Sprecher+Schuh	V7-CJ6-10	Center Jumper	1
McMaster-Carr	5891T111	Electrical Hazard Warning Label, 1-3/4"W x 2-1/2"H	1
		Legend Plate, 0.75" x 0.75", "0"	1
		Legend Plate, 0.75" x 0.75", " "	1
		Legend Plate, 0.75" x 2.00", "MOTOR SPEED CONTROL"	1



DATE	APPROVED

DESIGNED BY
PCW
CHECKED BY
PCW
DATE DRAWN
06/17/16
DATE GOOD
06/17/16

AACI
APPLIED AUTOMATION CONTROLS INC.
1240 WOLF STREET, SYRACUSE NY 13208
PHONE 315-453-5670 FAX 315-453-5681

TITLE: MDRSE
5896-P VFD PANEL (ELECTRICAL)
DRAWING NO.: AAC1061716B
SHEET: 1 of 1
REV: 00

THIS MATERIAL IS THE EXCLUSIVE PROPERTY OF AACI APPLIED AUTOMATION CONTROLS INC. AND MUST BE RETURNED TO AACI IMMEDIATELY UPON REQUEST. THIS MATERIAL AND INFORMATION ILLUSTRATED OR TRANSMITTED BY WHOLE OR IN PART IN ANY WAY WITHOUT THE PRIOR WRITTEN CONSENT OF AACI.