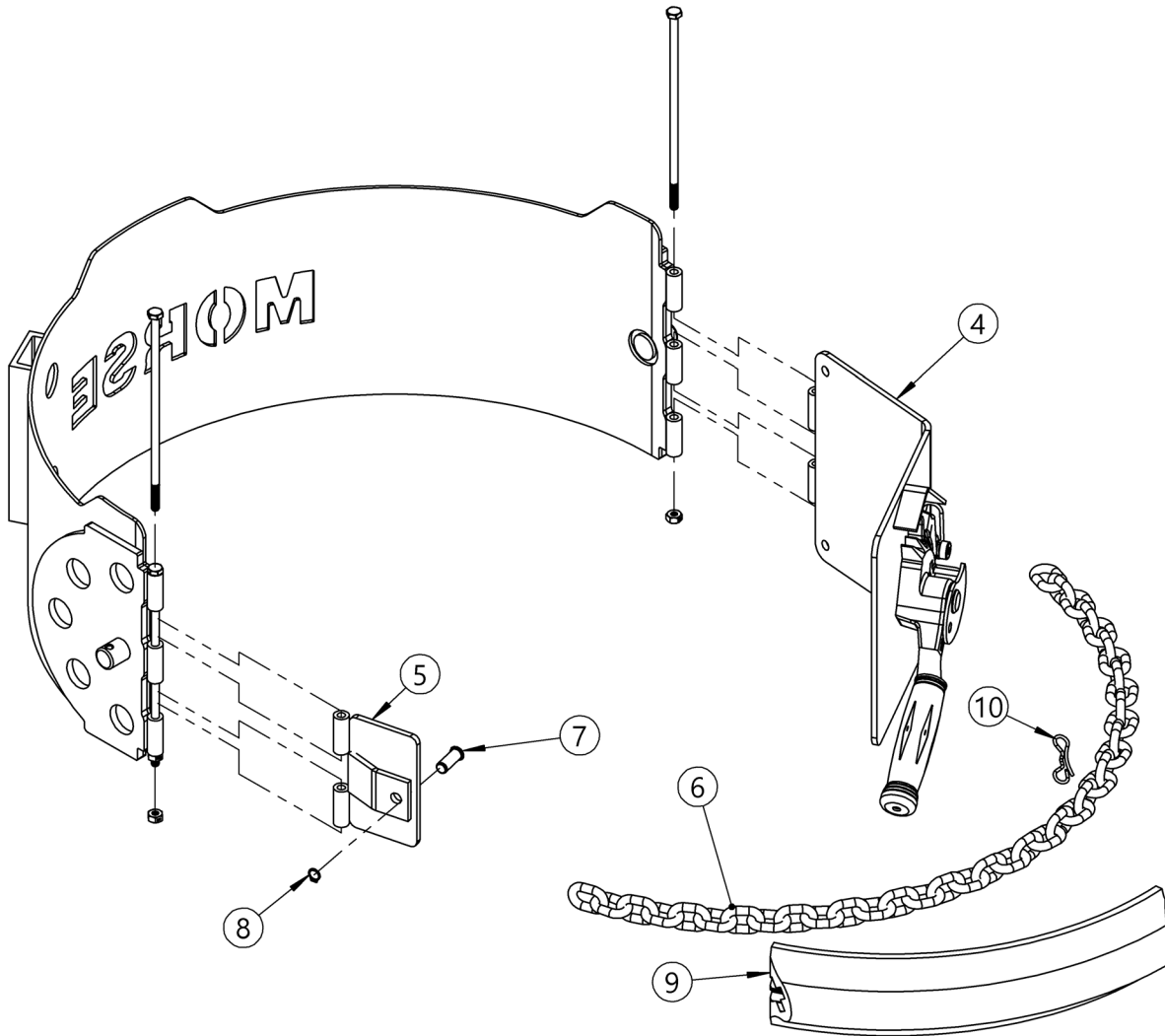


Cinch Chain for Morse Model 80i, 85i or 82A Series

Replaces web strap to secure drum

- Option 6075i-P **FACTORY INSTALLED** cinch chain on **NEW** drum handler
- Kit # 6075-P for Customer to Install cinch chain on **EXISTING** Unit with serial number 0816 to ____ (MMYY)



ITEM NO.	PART NUMBER	DESCRIPTION	QTY.
4	4214C-P	RATCHET PLATE CPT, 102Z-P	1
5	6012C-P	HINGED LINK, CHAIN, 102Z-P	1
6	5017-P	CHAIN, CINCH, 9/32, 38 LINK	1
7	4172SP-P	PIN, S.P., CINCH CHAIN, 5000-P	1
8	4744-P	SNAP RING, EXTERNAL, 3/8"	1
9	4414-P	COVER, CINCH CHAIN, FLEX PVC	1
10	4710-P	PIN, BOW TIE COTTER, MOR	1