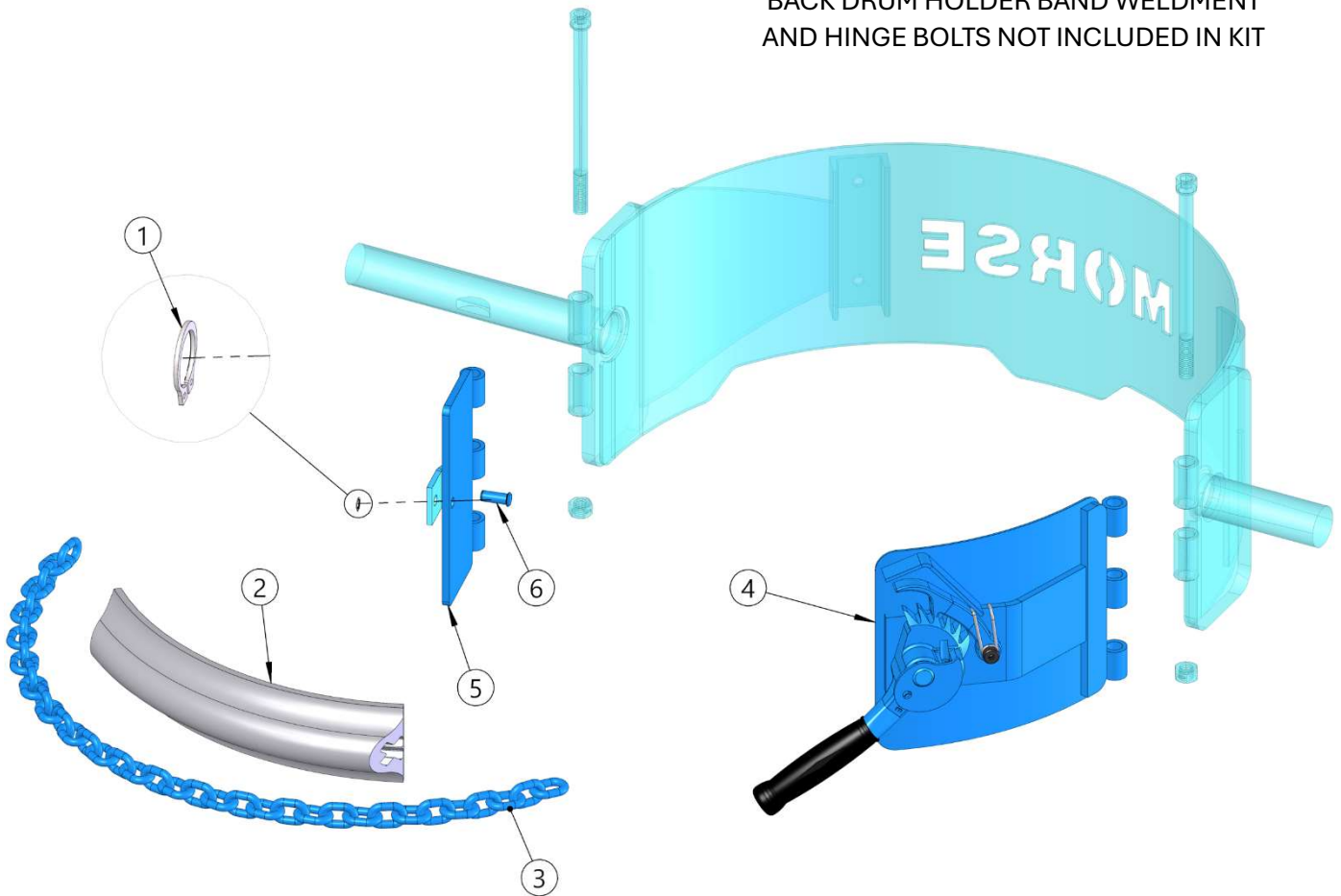


Kit 6218KIT-P

Convert 195A Drum Holder to Cinch Chain
 SN 0817 to Current (MMYY) or 400000 to Current

BACK DRUM HOLDER BAND WELDMENT
 AND HINGE BOLTS NOT INCLUDED IN KIT



ITEM	QTY.	PART NUMBER	DESCRIPTION
1	1	4744-P	SNAP RING, EXTERNAL, 3/8"
2	1	4414-P	COVER, CINCH CHAIN, FLEX PVC
3	1	5017-P	CHAIN, 9/32 CINCH, 38 LINK
4	1	6218-P	RATCHET PLATE CPT, 195A
5	1	6216-P	HINGED LINK, CHAIN, 195A
6	1	4172SP-P	PIN, S.P., CINCH CHAIN, 5000-P