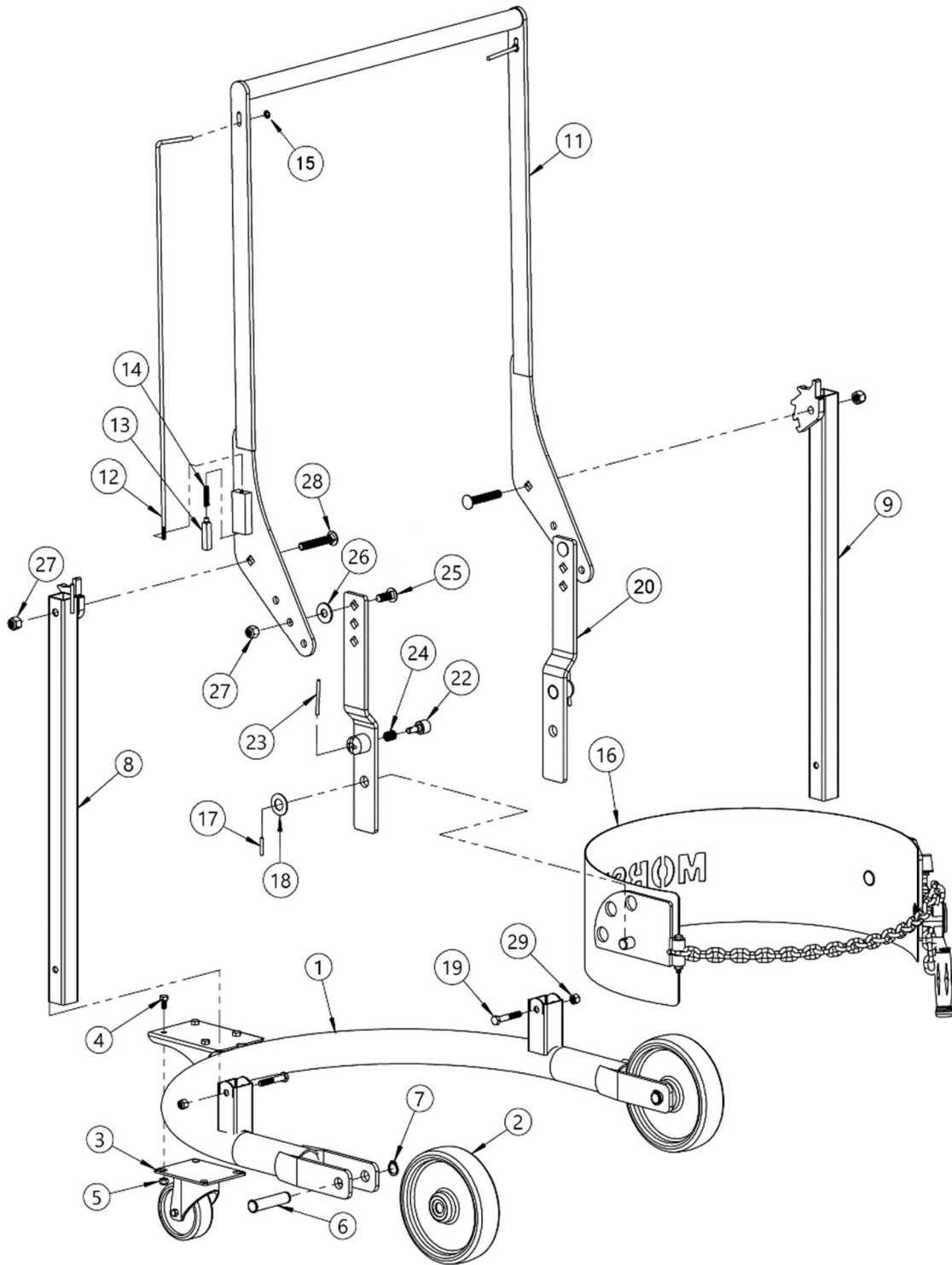


Item	Part	Qty	Description
50	80-P	1	STANCHION, W/ PIN, 80
51	82-P	2	HHCS, 3/8-16 X 2-1/4 GR2
52	1169-P	2	NUT, 3/8-16 REV HEX LOCK
53	800CPT-P	1	HANDLE ASM, 80
54	806-P	2	BOLT, 1/2-13 X 3 CARRIAGE
55	810-P	4	NUT, 1/2-13 REV HEX LOCK
56	6033-P	2	LINK ASM, 80, 82 SERIES
57	807-P	2	WASHER, 1/2 USS 1-3/8 OD
58	805-P	2	BOLT, 1/2-13 X 1-1/4 CARRIAGE
60	81-P	1	STANCHION W/O PIN, 80



ITEM NO.	PART NUMBER	DESCRIPTION	QTY.
1	830-P	BASE WELD, 80 SERIES	1
2	87-P	WHEEL, MORTUF, 8", 3/4" BRG	2
3	3308-P	CASTER, 4" SWIVEL, DBL RACE	1
4	215-P	HHCS, 5/16-18 X 5/8 GR2	4
5	3920-P	NUT, LOCK, 5/16-18 NYLON	4
6	5329-P	PIN, GROOVE, 3/4 X 3.10	2
7	5330-P	SNAP RING, EXT, HD, .078, 3/4"	2
8	80-P	STANCHION, W/ PIN, 80	1
9	81-P	STANCHION W/O PIN, 80	1
11	800CPT-P	HANDLE ASM, 80	1
12	66-P	RELEASE ROD, FOLLOWER, 80, 81	2
13	68-P	FOLLOWER, RATCHET, 80, 81	2
14	70-P	FOLLOWER SPRING, 80, 81	2
15	717-P	NUT, PUSH, 1/4"	2
16	101A2-P	SADDLE ASM, 80A, 85A	1
17	64-P	ROLL PIN, 3/16 X 1-1/4	2
18	62-P	WASHER, 3/4 SPRING	2
19	82-P	HHCS, 3/8-16 X 2-1/4 GR2	2
20	6033-P	LINK ASM, 80i, 82A	2
22	59-P	PLUNGER, 80, 85	2
23	61-P	ROLL PIN, 3/16 X 2-1/2	2
24	60-P	SPRING, PLUNGER, 80, 85	2
25	805-P	BOLT, 1/2-13 X 1-1/4 CARRIAGE	2
26	807-P	WASHER, 1/2 USS 1-3/8 OD	2
27	6266-P	NUT, 1/2-13 NYLON LOCK	3
28	806-P	BOLT, 1/2-13 X 3 CARRIAGE	2
29	3981-P	NUT, 3/8-16 NYLON LOCK	2