

OPERATOR'S MANUAL FOR 82A SERIES MOBILE KARRIER
Serial Number 0000 to 0702 (MMYY)

A. IMPORTANT:

1. Review the Material Safety Data Sheet(s) for the material(s) in the drum(s) and take all necessary precautions. Safety shoes, work gloves, hardhat and other personal protective devices are recommended.
2. Please read all instructions *thoroughly* before attempting to operate your new MORSE drum handler.
3. The 82A series has a maximum capacity rating of 800 Lb. In a full drum or 500 Lb. In a half-full drum. It is designed to lift, move and tilt a standard 55 gal steel drum. These units also accept 55/30 series adaptors for handling smaller fiber or steel drums. E14 fiber drum strap should also be ordered to replace cinch chain when handling fiber drums. *DO NOT* exceed these ratings. Exceeding these ratings or handling drums other than those mentioned above is unsafe and could result in equipment damage, excessive wear or awkward handling.
4. When loading, unloading, operating, or maintaining your MORSE drum handler, always use care and good judgment. Maintain secure footing and a firm hold. Keep hands and loose clothing away from all moving parts. Never allow anyone to be below any part of a raised drum handler or drum. Read operating instructions and review the pictures in the sales brochure before operation.

Prior to initial use, inspect all moving parts. Perform necessary load test, inspections, operator training, etc.

B. OPERATING INSTRUCTIONS:

1. Roll drum lifter to drum. Steer unit so drum holder meets middle of drum. Operate hydraulics as necessary. Roll the unit forward and push drum holder so it slips around the drum.
WARNING: keep hands and other objects away from top opening of lifting frame.
To secure drum: drape cinch chain across face of drum and engage a link into notch in hub of ratchet. Pull up on ratchet handle to tighten chain. If ratchet turns to extent that pawl is beyond last ratchet tooth and chain is not tight, back up and try putting next link in notch. Chain should tighten as ratchet turns and be held tight by teeth of ratchet & pawl. Firm hand pressure on ratchet handle should tension chain sufficiently to secure drum. **DO NOT** use mechanical aids such as a pipe to extend ratchet handle for extra leverage.
2. Operate hydraulics to raise drum off the floor, push drum lifter to deliver drum. Avoid unreasonably rough or non-level surfaces. Move at moderate speed. Carry drum only high enough to avoid contact with the floor or obstacles. Push loaded unit when possible for transporting. Pulling unit should be limited to maneuvering at short distance.
3. Either one of the two spring loaded plunger tilt locks may be locked to hold drum upright. Unlocking both will permit drum to be tilted. Drum pouring angle may be varied or drum can be locked in horizontal position by inserting one tilt lock. It is not necessary to lock both tilt locks. Before unlocking tilt lock it is recommended that you steady drum and prepare to resist its tendency to tilt toward its heavy end.
WARNING: keep hands and fingers clear of tilt lock hole, as a pinch point will incur when drum rotates.
4. Before unloading drum, release tilt locks and return drum to upright. Operate hydraulics to lower drum at a controlled rate.
5. To remove drum: pull ratchet handle clockwise to relieve pressure on ratchet teeth. Lift pawl handle to release teeth engagement and rotate ratchet counterclockwise to loosen chain and allow its removal from notch. Pull unit away and park on level floor, out of traffic lanes when not in use.
6. Adjustment for Shorter Drums: The drum holder assembly is factory set in upper position for handling typical 55 gallon drums. For handling shorter drums such as typical 30 gallon drums, relocate drum holder assembly downward as follows: Detach by removing nuts that hold it to lifting assembly. Reattach at alternate location 6" lower.

CAUTION: Do not exceed weight capacity of 800 Lb.

CAUTION: Do not allow drum to impact on floor, etc.

C. MAINTENANCE:

1. Grease wheel and caster bearings periodically.
2. Clean and oil ratchet, pawl, tilt locks, fulcrum shafts, saddle hinge and other moving parts periodically. (Clean & lubricate more often in environments where dust, dirt or other foreign particles will affect the performance of moving parts.)
3. Hydraulic pump has been filled with Dexron III automatic transmission fluid. Inspect the hydraulic system for oil drips, hose damage, or other signs of wear. Inspect the level & condition of the hydraulic fluid. Replace any parts that show signs of wear (see parts diagrams for pump & cylinder).
4. Periodically inspect all moving parts, framework, cinch chain and contact areas for signs of wear, fatigue, or loosening. Tighten, adjust or replace parts as necessary to prevent failure and maintain proper function.

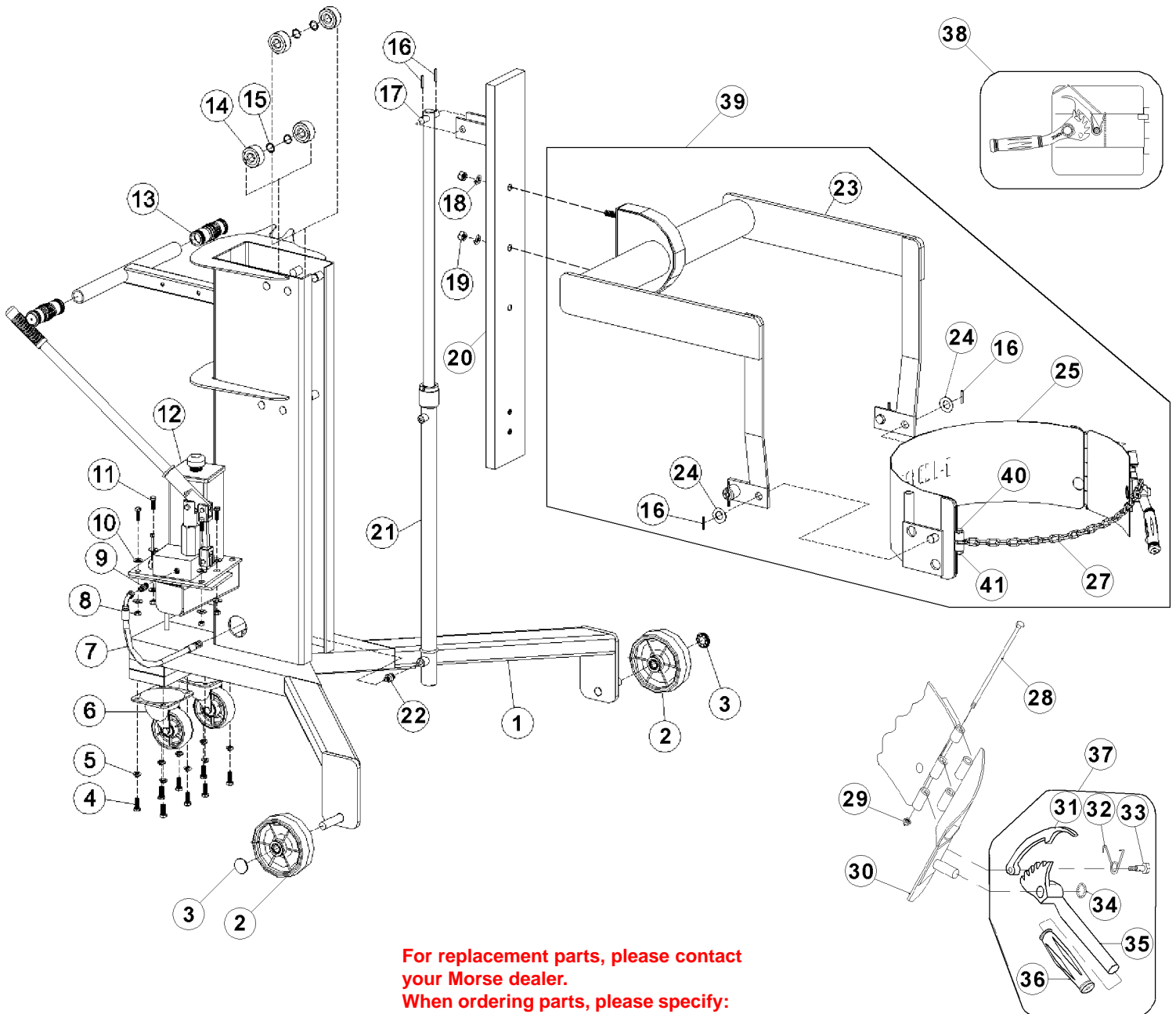
PARTS LIST FOR MORSE 82A SERIES

0000 to 0702 (MMYY)

ITEM	MODEL SUFFIX	QTY	P/N	DESCRIPTION
1		1	3336-P	FRAME WELD, 82 SERIES
2		2	705-P	PUSH-ON HUB CAP, 3/4"
3		2	8160-P	WHEEL, 6" DIA 3/4" BORE, 81
4		8	1572-P	3/8 - 16 X 1" HHCS GR 2
5		8	1474-P	WASHER, 3/8 SPLIT LOCK
6		2	3308-P	CASTER, SWIVEL 4", DOUBLE RACE
7		1	3613-P	HYD HOSE ASM, 16"
8		4	491-P	5/16 - 18 REV HEX LOC NUT
9		1	345-P	HYD FIT, MALE FLARE, 456, 82
10		8	1570-P	WASHER, 5/16 USS 7/8 OD
11		4	35-P	5/16 - 18 X 1 HHCS GR 2
12		1	96MK1939-P	PUMP, HYD, HAND STAR
13		2	83-P	HANDLE GRIP, 1-1/4 X 4-1/2
14		4	3357-P	BEARING, 82 SERIES
15		4	166-P	SNAP RING, EXTERNAL, 5SSC-P 82
16		4	64-P	ROLL PIN, 3/16 X 1-1/4
17		1	8260-P	CYL CLEVIS PIN, 5/8 X 2-1/8 82
18		2	1644-P	WASHER, 1/2 SPLIT LOCK
19		2	91-P	1/2 - 13 FIN HEX NUT
20		1	3343-P	RISER WELD, 82 SERIES
21		1	3341-P	CYLINDER, 1 X 24, 82
22		1	8250-P	HYD FIT LONG EL FLARE MALE, 82
23		1	3370-P	OVERHEAD WELD, 82A
24		2	62-P	WASHER, 3/4 SPRING
25		1	101i-P	SADDLE ASM, 80i, 85i, 82A
27		1	180-P	CHAIN, CINCH, 3/16 ALLOY 33 LK
28		1	1296-P	1/4 - 20 X 7-1/2 HHCS GR 5
29		1	1297-P	1/4 - 20 REV HEX LOC NUT
30		1	731-P	RATCHET HINGE PLATE ONLY 1/4 A
31		1	168-P	PAWL, WITH DRILLED HOLE
32		1	169-P	PAWL SPRING
33		1	170-P	3/8" DIA X 5/8" SHOULDER SCREW
34		1	710-P	RETAINER, RATCHET PUSH ON 3/4"
35		1	165-P	RATCHET, MALLEABLE, SADDLE
36		1	136-P	HANDLE GRIP, 7/8" X 4-3/4"
37		1	165KIT-P	KIT, RATCHET CHAIN TIGHTENER
38		1	726-P	RATCHET HINGE PLATE CPT 1/4" A
39		1	3371-P	OVERHEAD ASM, 82A
40		1	82-P	3/8 - 16 X 2-1/4 HHCS GR 2
41		1	1169-P	3/8 - 16 REV HEX LOC NUT
	125	1	M301-P	HYD POWER PACK, -125
	125	4	1739-P	WASHER, 3/8 INTERNAL TOOTH LOC
	120, 125	1	342-P	HYD HOSE ASM, 28"
	125	1	1190-P	BATTERY BOX CPT, 400, 285A-BP
	125	1	388-P	BATTERY, 12V DC
	125	1	389-P	CHARGER, BATTERY, 110V TO 12V
	125	1	404-P	CABLE HARNESS 20", 20" -125
	125	1	403-P	BATTERY CABLE HARNESS 20", 30"
	124	1	3482-P	AIR CYLINDER, 82 AIR
	120	1	M401-P	HYD POWER PACK, -120, -124
	120	1	1063-P	MOTOR 1HP 1PH TEFC 56C W/ CORD

PARTS DIAGRAM FOR MORSE 82A SERIES

0000 to 0702 (MMYY)



For replacement parts, please contact your Morse dealer.

When ordering parts, please specify:
 - Part number and description,
 - Model number
 - Serial number

Find model number and serial number on metal name plate attached to frame.