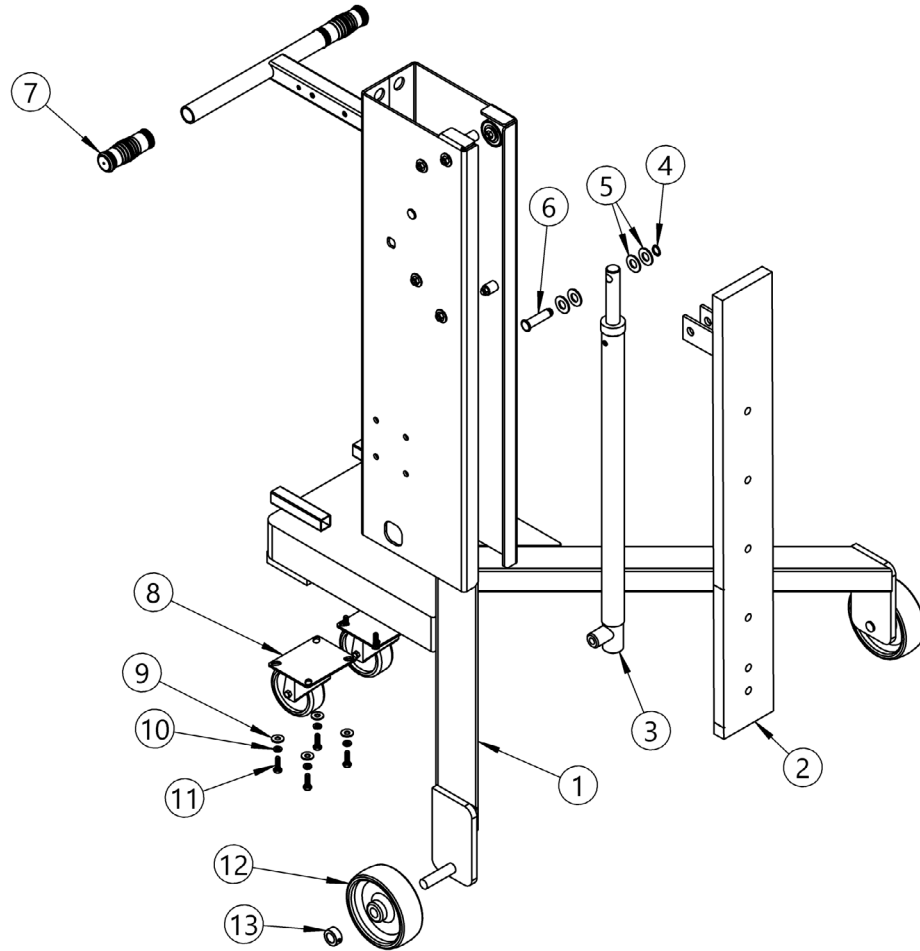


Parts Diagram for Part # 82F-P

Base Assembly of Morse 82 Series Mobile-Karrier / Palletizer

Serial Number 0720 to 0323 (4-Digit MMY) or 000000 to 412385 (6-Digit)

 **IMPORTANT NOTE**
4-Digit serial numbers are simply the month & year of manufacture
Example: 0802 is August 2002

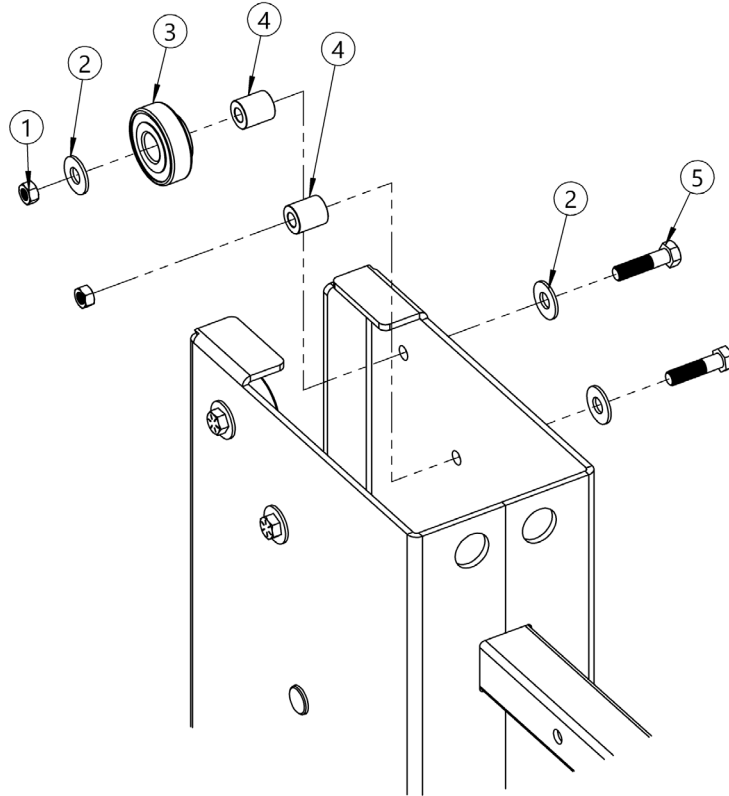


ITEM NO.	PART NUMBER	DESCRIPTION	QTY.
1	5799-P	FRAME WELD, 82 SERIES	1
2	5177-P	RISER WELD, 82 SERIES	1
3	3611-P	CYLINDER, 1 X 24, SAE 82	1
4	5347-P	SNAP RING, EXT, HD, .05, 5/8"	1
5	17-P	WASHER, 5/8 SAE FL 1-5/16 OD	4
6	5570-P	PIN, GROOVE, 5/8 X 2.125	1
7	83-P	GRIP, HANDLE, 1-1/4 X 4-1/2	2
8	3308-P	CASTER, 4" SWIVEL, DBL RACE	2
9	1570-P	WASHER, 5/16 USS 7/8 OD	8
10	1650-P	WASHER, 5/16 SPLIT LOCK	8
11	35-P	HHCS, 5/16-18 X 1 GR2	8
12	8160-P	WHEEL, 6", 3/4" BRG, 81, 82	2
13	15-P	COLLAR, 3/4" ID	2

Parts Diagram for Part # 82F-P

Base Assembly of Morse 82 Series Mobile-Karrier / Palletizer

Serial Number 0720 to 0323 (4-Digit MMY) or 000000 to 412385 (6-Digit)



BEARING DETAIL

ITEM NO.	PART NUMBER	DESCRIPTION	QTY.
1	6443-P	NUT, 3/8-24 REV HEX LOCK	8
2	1166-P	WASHER, 3/8 USS 1" OD, ZINC	12
3	5208-P	BEARING, 3/4 ID, SEALED	4
4	6438-P	SHAFT, BEARING, 82, BOLT ON	7
5	6442-P	HHCS, 3/8-24 X 1-1/2" GR8	8