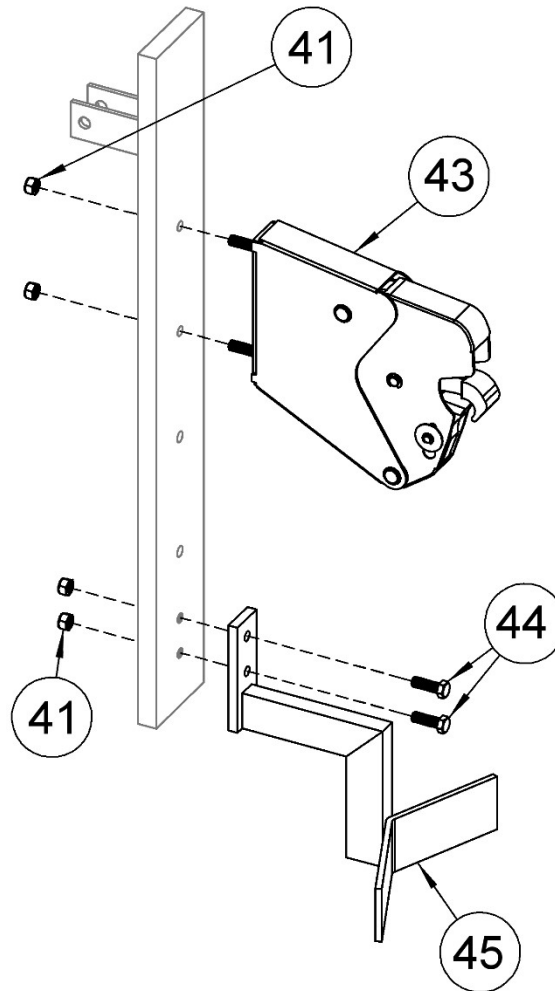


## Drum Lift Assembly

Drum Lift Assembly, 82H

SN 0319 to Current (MMYY) or 315000 to Current



ITEM	QTY.	PART NUMBER	DESCRIPTION
41	4	6266-P	NUT, 1/2-13 NYLON LOCK
43	1	3360-P	LIGHT DUTY HEAD ASM, LDH 82H
44	2	3358-P	HHCS, 1/2-13 X 2-1/4 GR5
45	1	3363-P	BOTTOM DRUM SUPPORT, 82H