

## CONTENTS

	Page
Receiving Procedures. . . . .	1
Warranty. . . . .	1
Safety Information. . . . .	1 - 2
Machine Description. . . . .	3
Operating Instructions. . . . .	4
Maintenance. . . . .	4
Parts Lists and Diagrams. . . . .	5 - 6

## Operator's Manual for Morse **PailPRO**™ 5-Gallon Pail Handler Model 83

with Serial Number 405230 to 415106



### Receiving Procedures

Every Morse drum handler is inspected prior to shipping. However, damage may be incurred during transit.

- Check for visible damage. If you choose to accept damaged freight, always sign noting the damage on the **Bill of Lading**.
- Document the damage and have the truck driver sign. We recommend keeping a digital camera at your receiving dock for this purpose.
- Open packages expeditiously to check the condition of the goods. There is only a 24 hour window to notify the carrier of any concealed damage.
- Immediately **report all damage to the shipping company!** Then you may contact Morse for assistance with your freight claim.
- Morse Manufacturing will not be held responsible for any damaged freight that is not signed for as damaged.

### Limited 2 Year Warranty

Morse drum handling equipment is guaranteed against defects in workmanship or materials for two years when used properly within its rated capacity. Warranty does not cover wear from normal use or damage from accident or abuse. Motors and other purchased parts carry the warranties of their manufacturers.

For warranty claims, contact your Morse Dealer to obtain a return authorization number, and for return freight advice. Return freight must be prepaid.

In all instances, liability is limited to the purchase price paid or to repairing or replacing the product. Customer assumes liability for any modifications, unauthorized repairs or parts substitution.

### Safety Information

While Morse Manufacturing Co. drum handling equipment is engineered for safety and efficiency, a high degree of responsibility must be placed upon the machine operator to follow safe practices, based primarily on common sense, upon which true safety depends.




Failure to follow the safety precautions in this manual can result in personal injury or property damage. Observe the same precautions as with similar machinery where carelessness in operating or maintenance is hazardous to personnel. Carefully read the safety precautions below and throughout this manual.

Review the Material Safety Data Sheet(s) for the material(s) in the drum(s) and take all necessary precautions. Safety shoes, work gloves, hard hat and other personal protective devices are recommended.

Prior to initial use, inspect all moving parts and test rotation of hand wheel and saddle assembly. Inspect saddle assembly for proper operation. Perform necessary load test, inspections, operator training, etc.

**Operator's Manual for Morse Model 83**  
**Serial Number 405230 to 415106 (MMYY)**

**Safety Information** (continued)

	<b>DANGER</b> - Indicates a situation which, if not avoided, will result in serious injury or death. This signal word is limited to the most extreme situations.
	<b>WARNING</b> - Indicates a situation which, if not avoided, could result in serious injury or death.
	<b>CAUTION</b> - Indicates a situation which, if not avoided, can result in damage to the machine.



**DANGER - Stay Clear of Power Lines**

**KEEP WELL CLEAR OF POWER LINES.** Never approach a power line. Current in a high voltage line may arc some distance from the wire to the steel framed, grounded machine.



**WARNING**

The **PailPRO<sup>TM</sup>** Pail Handler is designed to handle one can or pail of the types listed at the top of page 3, under **Machine Description**. **DO NOT** attempt to handle any other type of drum or object. **DO NOT** exceed the weight capacity of 150 Lb. (68 kg).



**WARNING - Level Floors Only**

For operation only on clean, level floors of suitable bearing capacity. Do not use on sloped surfaces, ramps, irregular or debris strewn floors.



**WARNING - Do Not Modify the Unit**

Under no circumstances should any modifications be made to the Morse machinery without factory authorization. Any modifications may void the warranty. This machine was designed to perform a specific job and alterations may result in injury to operator or machine.



**WARNING - No Loose Fitting Clothing**

Wear close-fitting clothing and safety equipment appropriate to the job. Loose fitting clothing may become caught on the machinery and cause severe personal injury.



**WARNING - Stay Clear of Raised Pail**

**NEVER** allow anyone to be below any part of a raised pail handler or pail. Remain behind the push handle while handling a pail.



**WARNING - Do NOT Disengage the clamp screw knob while pail is off the Ground**

When the pail is in the upright position, lower to the floor before releasing the clamp screw knob.



**CAUTION - Do Not Transport with Can or Pail Raised**

**ALWAYS LOWER THE PAIL HOLDER TO LOWEST POSITION BEFORE TRANSPORTING.** The unit can become unstable when transporting with a raised load.



**CAUTION - Wear Safety Shoes**

Wear safety shoes with non-slip soles and hard toe protection.



**WARNING:** This product can expose you to chemicals including barium sulfate, cobalt, titanium dioxide, and 2-methylimidazole, which are known to the State of California to cause cancer, and bisphenol-A, which is known to the State of California to cause birth defects or other reproductive harm.

For more information go to [www.P65Warnings.ca.gov](http://www.P65Warnings.ca.gov)

**Operator's Manual for Morse Model 83**  
**Serial Number 405230 to 415106 (MMYY)**

**Machine Description**

The PailPRO™ Pail Handler is designed to handle one pail with 11" to 12" (28 to 30.5 cm) diameter.

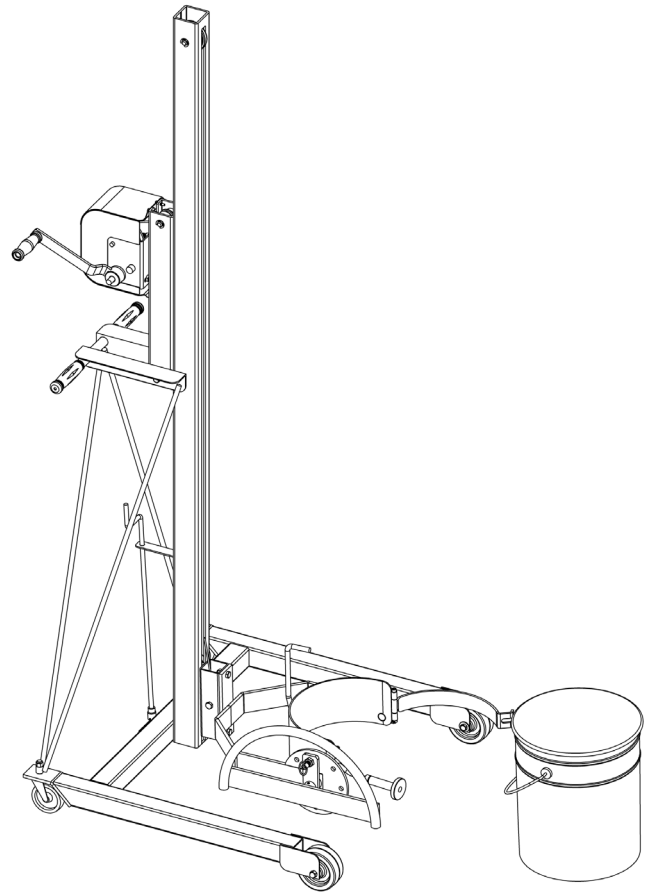
*DO NOT* attempt to handle any other type of container or object.

*DO NOT* exceed the capacity of 150 Lb. (68 kg), or capacity of 75 Lb. (34 kg) maximum weight if Counterweight Kit 3930-P is installed.

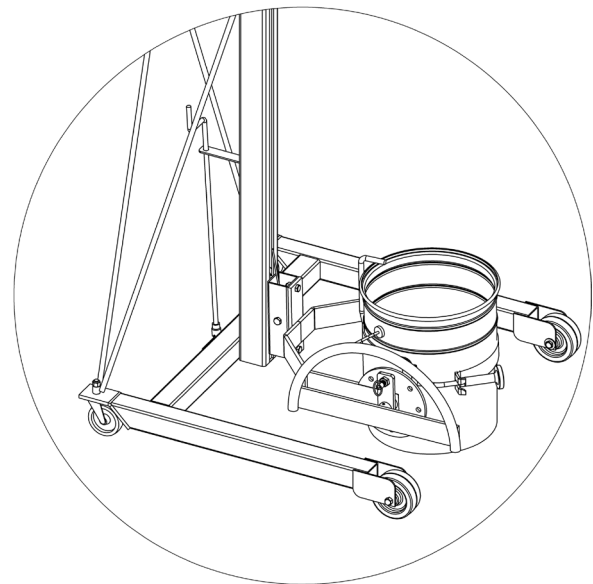
**Operator's Manual for Morse Model 83**  
**Serial Number 405230 to 415106 (MMYY)**

**Operating Instructions**

1. Push the Pail Handler to the pail. Lock pail holder in horizontal position for upright pail using spring loaded plunger tilt lock.
2. Using the cable winch, crank the handle to position the pail holder assembly with the back band at the middle of the pail. (see Figure 1). If the pail has a pivoting wire handle, swing it to lay on the front side to clear the back band. With the front band hinge plate and clamp screw knob swung open, push the unit forward until the back band rests firmly against the pail. Engage the screw down floor lock.
3. **Attaching the pail:** First, swing pivoting wire handle to lay on the back band side of the saddle. Next, close the front band clamp tightly against the pail (see Figure 2). Swing the clamp screw knob and engage the threaded rod into the slot on the front band hinge plate as shown in Figure 2. Tighten the clamp screw knob to secure the pail into the saddle.
4. Crank the cable winch to lift pail clear of floor. Disengage floor lock. Roll to dispensing location.
5. Crank cable winch to raise pail to desired pouring height. Engage the screw-down floor lock. Before unlocking tilt-lock to permit tilting pail, it is recommended that you steady pail and be prepared for its possible tendency to tilt toward its heavier side.
6. With tilt-lock unlocked, use hand wheel to tilt pail for pouring. Pail pouring angle may be varied, or it can be locked in various positions with tilt-lock.
7. When dispensing is complete, tilt pail back to upright position. Disengage the floor lock and lower the pail to transporting height; about 6" off the floor.
8. Push the unit to the pail storage area and lower to the floor. Engage the floor lock. Loosen the clamp screw knob until it can be released from the slot in the front band hinge plate. Roll Pail Handler away from pail.



**Figure 1**



**Figure 2**

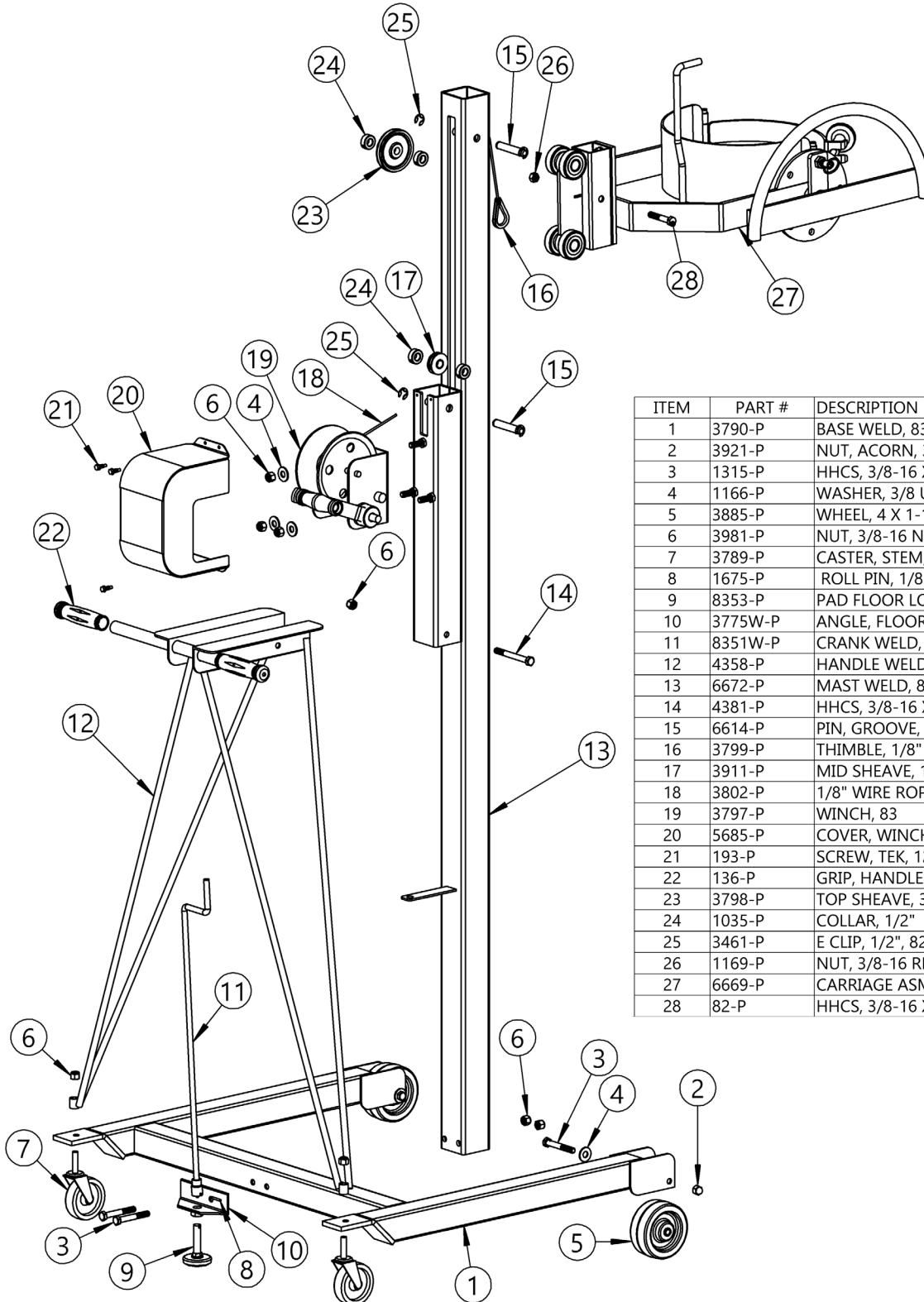
**Maintenance**

Periodic inspection for the general condition of structural and mechanical components is imperative for safe and efficient operation.

Periodically inspect all moving parts, framework, and contact areas for signs of wear, fatigue, or loosening. Tighten, adjust, or replace parts as necessary to prevent failure and maintain proper function.

Periodically lubricate vertical track rollers, casters, wheels, saddle shafts, and cable pulleys and/or shafts.

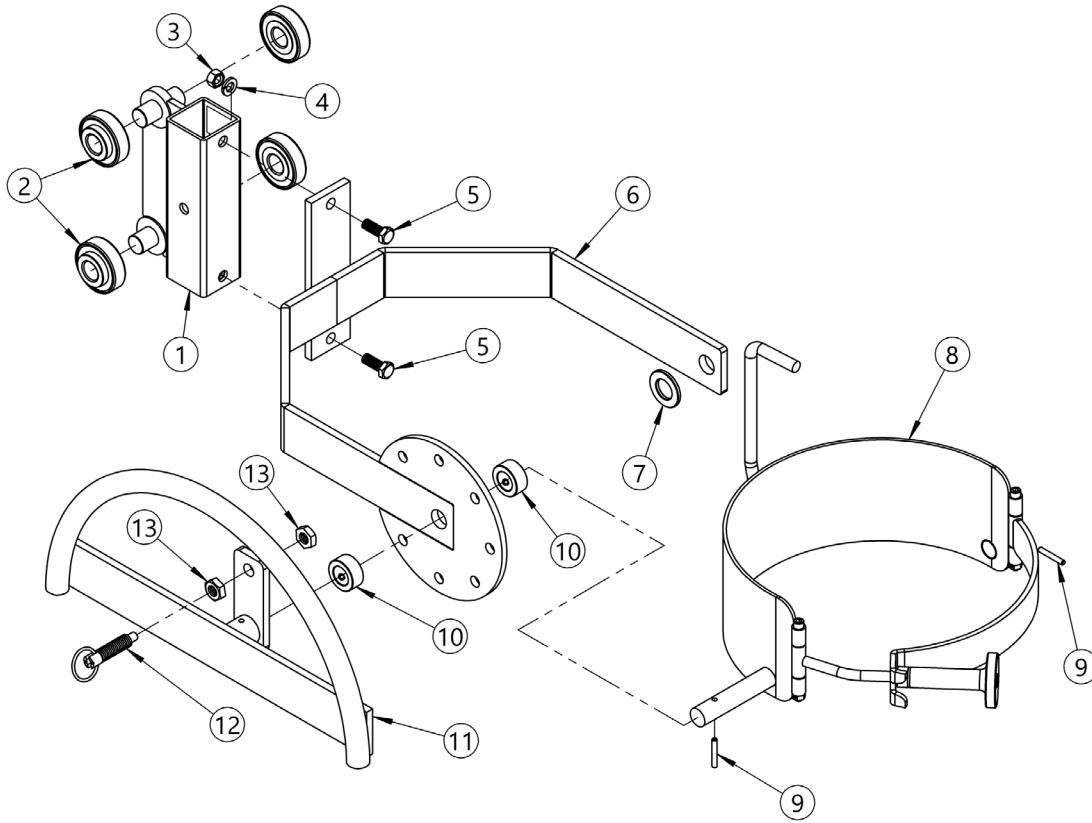
**Operator's Manual for Morse Model 83**  
**Serial Number 405230 to 415106 (MMYY)**



ITEM	PART #	DESCRIPTION	QTY.
1	3790-P	BASE WELD, 83	1
2	3921-P	NUT, ACORN, 3/8-16	2
3	1315-P	HHCS, 3/8-16 X 2-3/4 GR2	4
4	1166-P	WASHER, 3/8 USS 1" OD, ZINC	5
5	3885-P	WHEEL, 4 X 1-1/2, 83	2
6	3981-P	NUT, 3/8-16 NYLON LOCK	8
7	3789-P	CASTER, STEM, 3" SWIVEL, 83	2
8	1675-P	ROLL PIN, 1/8 X 7/8	1
9	8353-P	PAD FLOOR LOCK DRILLED, 83	1
10	3775W-P	ANGLE, FLOOR LOCK WELD, 83	1
11	8351W-P	CRANK WELD, FLOOR LOCK, 83	1
12	4358-P	HANDLE WELD, 83	1
13	6672-P	MAST WELD, 83	1
14	4381-P	HHCS, 3/8-16 X 3-1/2 GR5	1
15	6614-P	PIN, GROOVE, 1/2 X 2.520"	2
16	3799-P	THIMBLE, 1/8" WIRE ROPE, 83	1
17	3911-P	MID SHEAVE, 1-1/2 STEEL, 83	1
18	3802-P	1/8" WIRE ROPE CPT, 83	1
19	3797-P	WINCH, 83	1
20	5685-P	COVER, WINCH, 83 LC	1
21	193-P	SCREW, TEK, 12-14 X 3/4 3 PT	3
22	136-P	GRIP, HANDLE 7/8" X 4-3/4"	2
23	3798-P	TOP SHEAVE, 3" POLY, 83 PP	1
24	1035-P	COLLAR, 1/2"	4
25	3461-P	E CLIP, 1/2", 82	4
26	1169-P	NUT, 3/8-16 REV HEX LOCK	1
27	6669-P	CARRIAGE ASM, 83	1
28	82-P	HHCS, 3/8-16 X 2-1/4 GR2	1

**Operator's Manual for Morse Model 83**  
**Serial Number 405230 to 415106 (MMYY)**

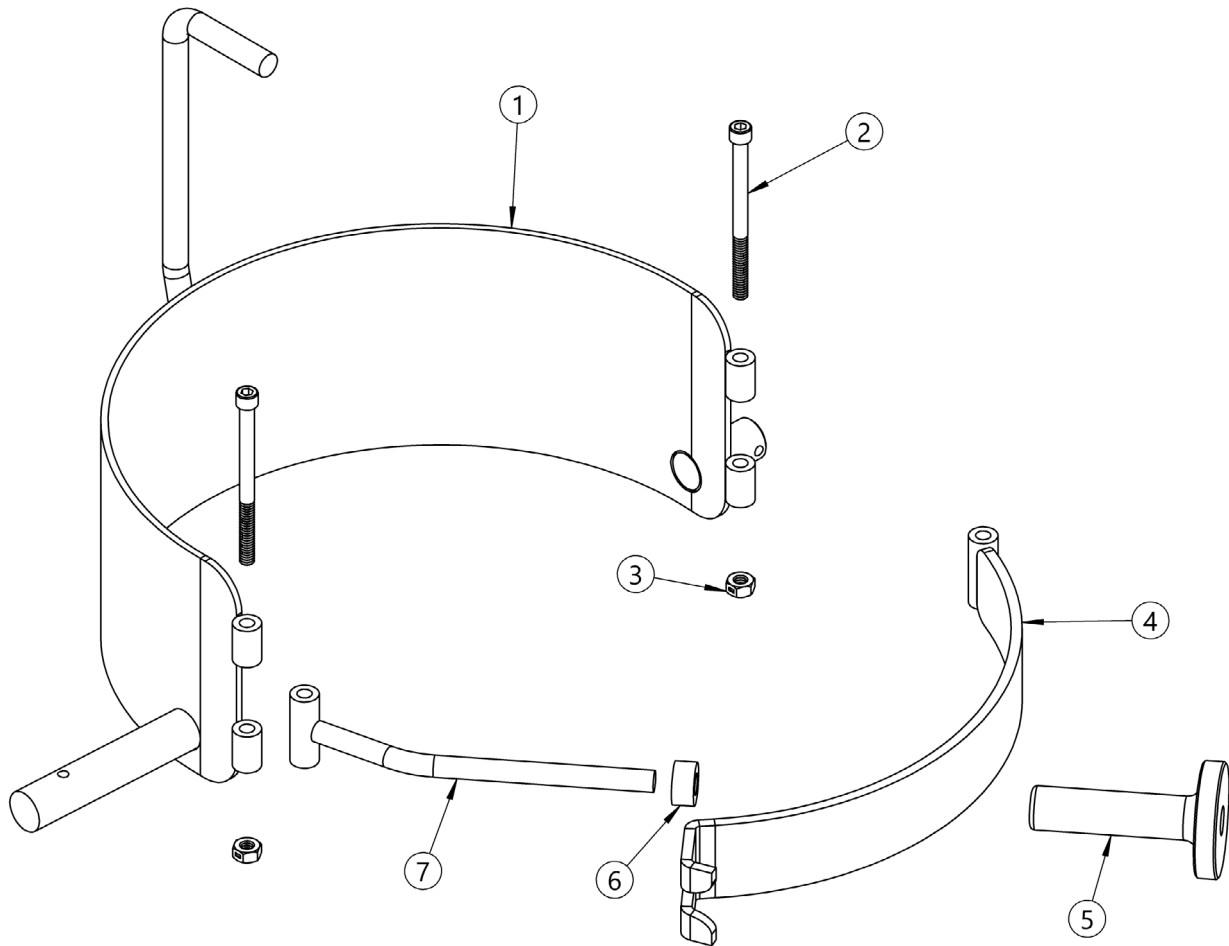
**Carriage Assembly Part # 6669-P**



ITEM NO.	PART NUMBER	DESCRIPTION	QTY.
1	4085W-P	TROLLEY WELD, 83	1
2	5208-P	BEARING, 3/4 ID, SEALED	4
3	149-P	NUT, 3/8-16 FIN HEX	2
4	1474-P	WASHER, 3/8 SPLIT LOCK	2
5	1572-P	HHCS, 3/8-16 X 1 GR2 ZINC	2
6	6670-P	CARRIAGE WELD, 83	1
7	55-P	WASHER, 3/4 SAE FL 1-1/2 OD	1
8	6667-P	SADDLE ASM, 85-5,83	1
9	64-P	ROLL PIN, 3/16 X 1-1/4	2
10	15-P	COLLAR, 3/4" ID	2
11	6630-P	HANDWHEEL WELD, 85-5	1
12	4697-P	PLUNGER, 1/2-13, PULL RING	1
13	4687-P	NUT, 1/2-13 JAM	2

**Operator's Manual for Morse Model 83**  
**Serial Number 405230 to 415106 (MMYY)**

**Can Holder (Saddle) Assembly Part # 6667-P**



ITEM NO.	PART NUMBER	DESCRIPTION	QTY.
1	6667W-P	WELD, BACK BAND, 85-5, 83	1
2	3804-P	SHCS, 1/4-20 X 3-1/4	2
3	1297-P	NUT, 1/4-20 REV HEX LOCK	2
4	6625W-P	WELD, FRONT BAND, 83	1
5	5441-P	KNOB, CLAMP SCREW, ALUMINUM	1
6	6411-P	SPACER, NYLON, 7-X, 83, 85-5	1
7	4221-P	CLAMP SCREW WELD, 83	1