

## OPERATOR'S MANUAL FOR MORSE MODEL 86 DRUM LIFTER

FOR HANDLING 55 GALLON PLASTIC, STEEL OR FIBER DRUMS BETWEEN 22" AND 23½" OD AND HEIGHTS BETWEEN 23" AND 38".

Serial number 0997 to 0402

### A. IMPORTANT:

1. Review the Material Safety Data Sheet(s) for the material(s) in the drum(s) and take all necessary precautions. Safety shoes, work gloves, hard hat and other personal protective devices are recommended.
2. Please read all instructions *thoroughly* before attempting to operate your new MORSE drum handler.
3. The model 86 has a maximum capacity rating of 1000 Lb. and is designed to lift and move drums of size and type noted above. *DO NOT* exceed this load rating. Exceeding this rating or handling drums other than those mentioned above is unsafe and could result in equipment damage, excessive wear or awkward handling.
4. When loading, unloading, operating, or maintaining your MORSE drum handler, always use care and good judgment, have good footing and a firm hold. Keep hands and loose clothing, etc. away from all moving parts. Never allow anyone to be below any part of a raised drum handler or drum. Read operating instructions and review the pictures in the sales brochure before operation.
5. The Model 86 is a "Group 1 Structural and Mechanical" Below-the-Hook Lifting Device which is covered by the American National Standard ANSI/ASME B30.20. The user should comply with all aspects of this standard.

### B. ASSEMBLY INSTRUCTIONS

1. Prior to use, inspect all moving parts. Inspect cinch chain and ratchet /pawl assembly for proper operation. Perform necessary load test, inspections, operator training, etc. as prescribed in the ANSI/ASME B30.20 standard.

### C. OPERATING INSTRUCTIONS:

1. With the Model 86 on the floor, lower hoist and engage hoist hook into the lifting eye.
2. Raise hoist to lift the 86 clear of the floor and move it to the drum.
3. Position the 86 with the base at floor level and near or against the base of drum.
4. Using a drum hand truck (ie. Morse Model 160), carefully place the drum onto the base of the 86 so that the drum rests into the saddle band (see Figure 1).
5. Drape the cinch chain (item 4) across the face of the drum and engage a link into the slot on the ratchet and tighten the cinch chain around the drum by turning the ratchet handle (item 14) clockwise.
6. Raise hoist and move drum to desired location.
7. To remove drum from the 86, release tension in the cinch chain (item 4) by turning ratchet handle (item 14) clockwise to relieve the force on the pawl (item 10), and lifting the pawl away from the ratchet. Once the cinch chain is slack, remove the link from the slot in the ratchet. Remove the drum from the 86 using a drum truck.

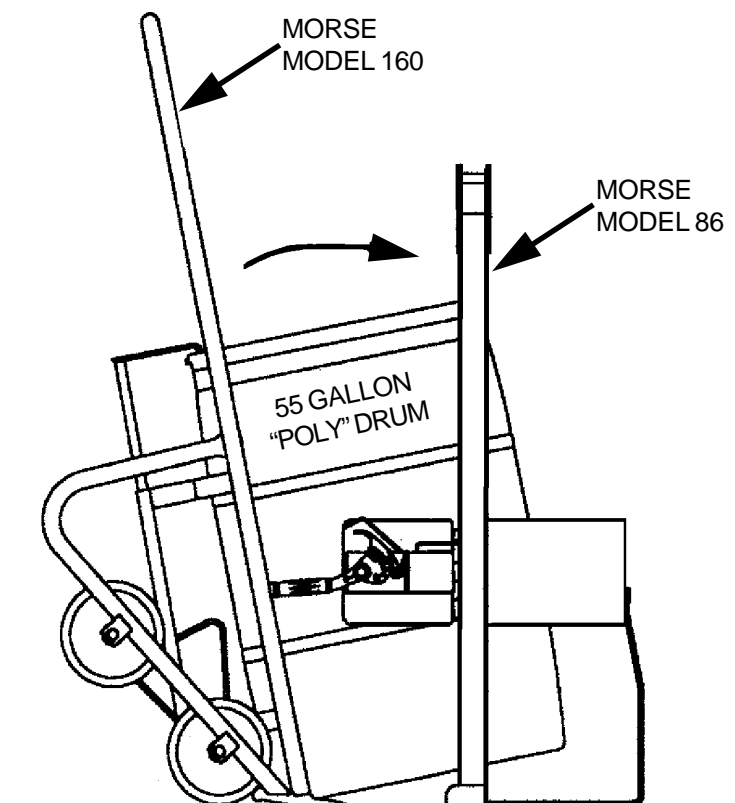


Figure 1

### **CAUTION:**

**DO NOT** exceed weight capacity of 1000 Lb.

### D. MAINTENANCE:

Periodically inspect all moving parts, framework, cinch chain, and contact areas for signs of wear, fatigue, or loosening. Perform all inspections, load tests, and maintenance according to the ANSI/ASME B30.20 standard.

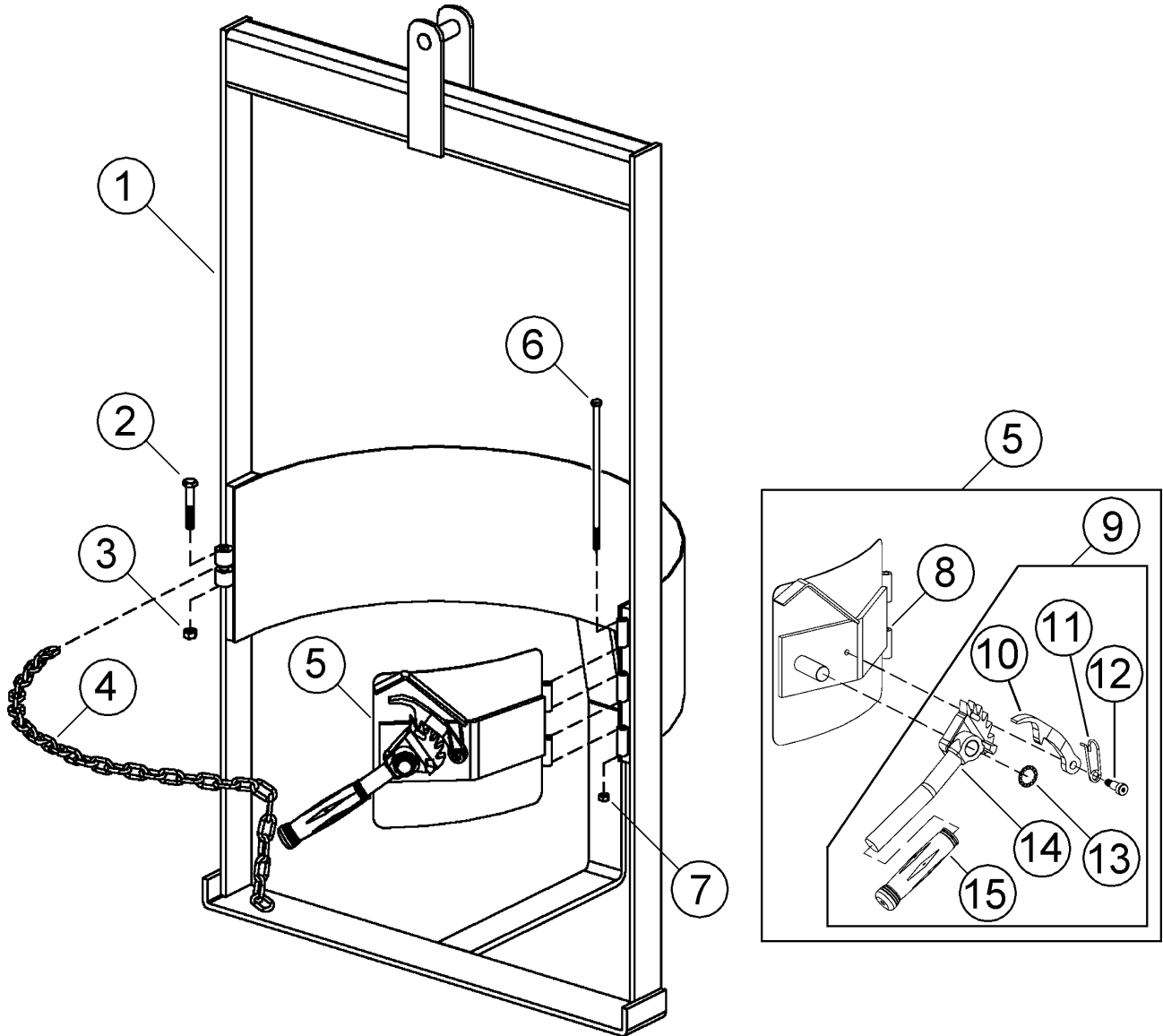
# Parts List

Serial number 0997 to 0402

ITEM	QTY	P/N	DESCRIPTION
1	1	2645-P	FRAME WELDMENT, 86
2	1	82-P	3/8 -16 X 2-1/4 HHCS GR 2 STL
3	1	1169-P	3/8 - 16 REV HEX LOC NUT
4	1	180-P	CHAIN, CINCH, 3/16 ALLOY 33 LK
5	1	726-P	RATCHET HINGE PLATE CPT 1/4" A
6	1	1296-P	1/4 - 20 X 7-½ HHCS GR 5 STL
7	1	1297-P	1/4 - 20 REV HEX LOC NUT
8	1	731-P	RATCHET HINGE PLATE ONLY 1/4 A
9	1	165KIT-P	KIT, RATCHET CHAIN TIGHTENER
10	1	168-P	PAWL, WITH DRILLED HOLE
11	1	169-P	PAWL SPRING
12	1	170-P	3/8" DIA X 5/8" SHOULDER SCREW
13	1	710-P	RETAINER, RATCHET PUSH ON 3/4"
14	1	165-P	RATCHET, MALLEABLE, FOR SADDLE
15	1	136-P	HANDLE GRIP, 7/8" X 4-3/4"

# Parts Diagram

Serial number 0997 to 0402



**When ordering parts, specify  
part number and description,  
model number and serial number.  
Find model number and serial number  
on metal tag attached to Kontrol-Karrier.**