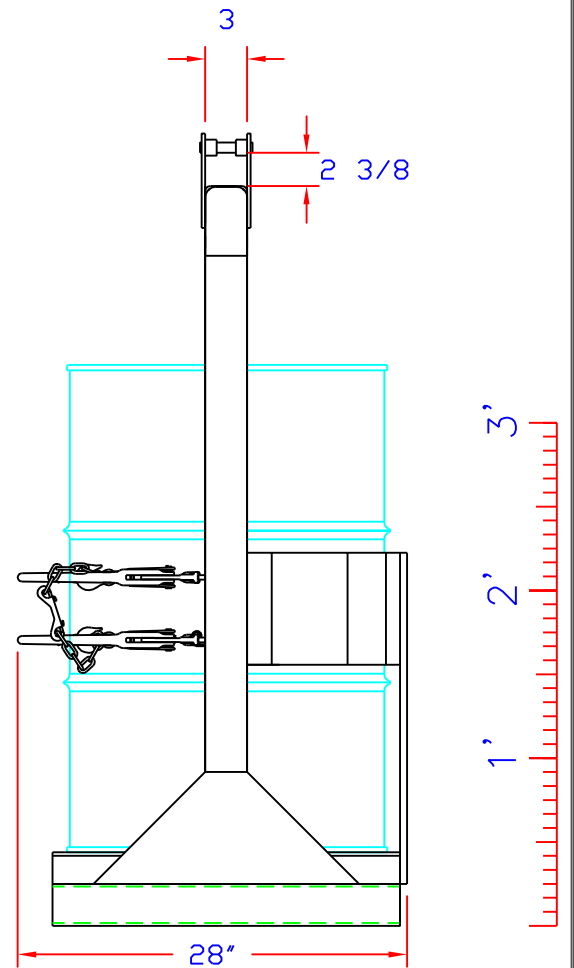
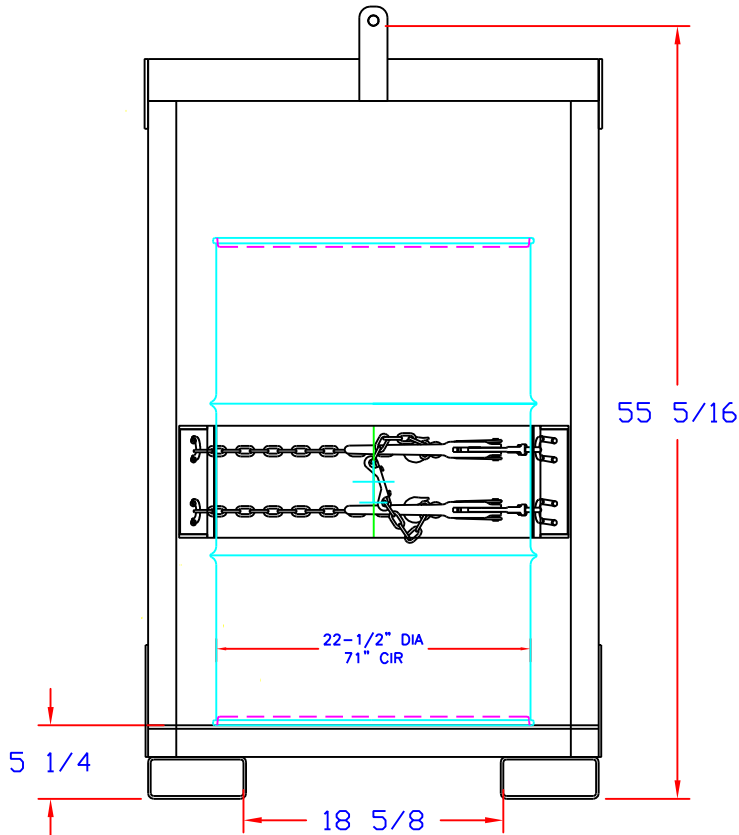
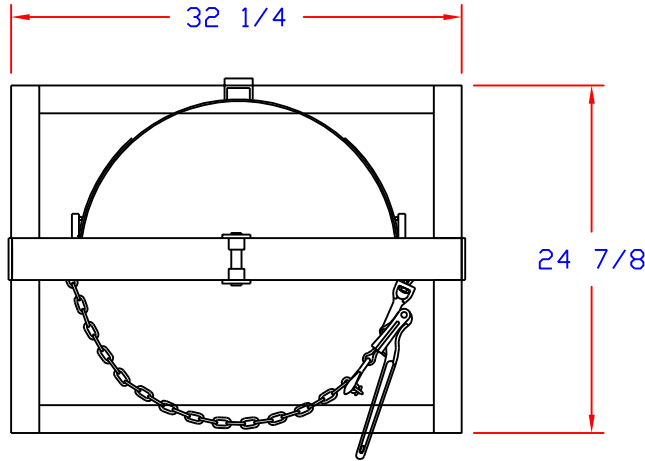


- HEAVY DUTY DRUM LIFTER WITH FORK POCKETS BELOW DRUM
- REQUIRES 18-5/8" BETWEEN FORKS
- FORK POCKET OPENING IS 2.5" HIGH X 6.5" WIDE
- 2000LB CAPACITY
- SHOWN WITH 55GAL STEEL DRUM



**MORSE** 727 WEST MANLIUS ST.  
P.O. BOX 518  
MANUFACTURING CO.,INC. EAST SYRACUSE, NY 13057

THIS DOCUMENT, AND THE DESIGNS IT DESCRIBES, ARE PROPERTY OF MORSE MFG. CO. AND ARE NOT TO BE REPRODUCED OR USED IN ANY WAY DETRIMENTAL TO THE INTERESTS OF MORSE MFG. CO.

REVISION

EFFECTIVE DATE

INITIALS

TITLE: SPL 86, FORK POCKETS, 2000LB

PART #: 86S-FPHD

PART FOR:

UNLESS OTHERWISE SPECIFIED  
FRACTIONS ± 1/32 .XXX ± .005  
ANGLES ± 1° .XX ± .02  
\* = STOCK SIZE

DRAWN BY: PM

SCALE: 1:14

DATE: 2/10/12

PAGE: 1