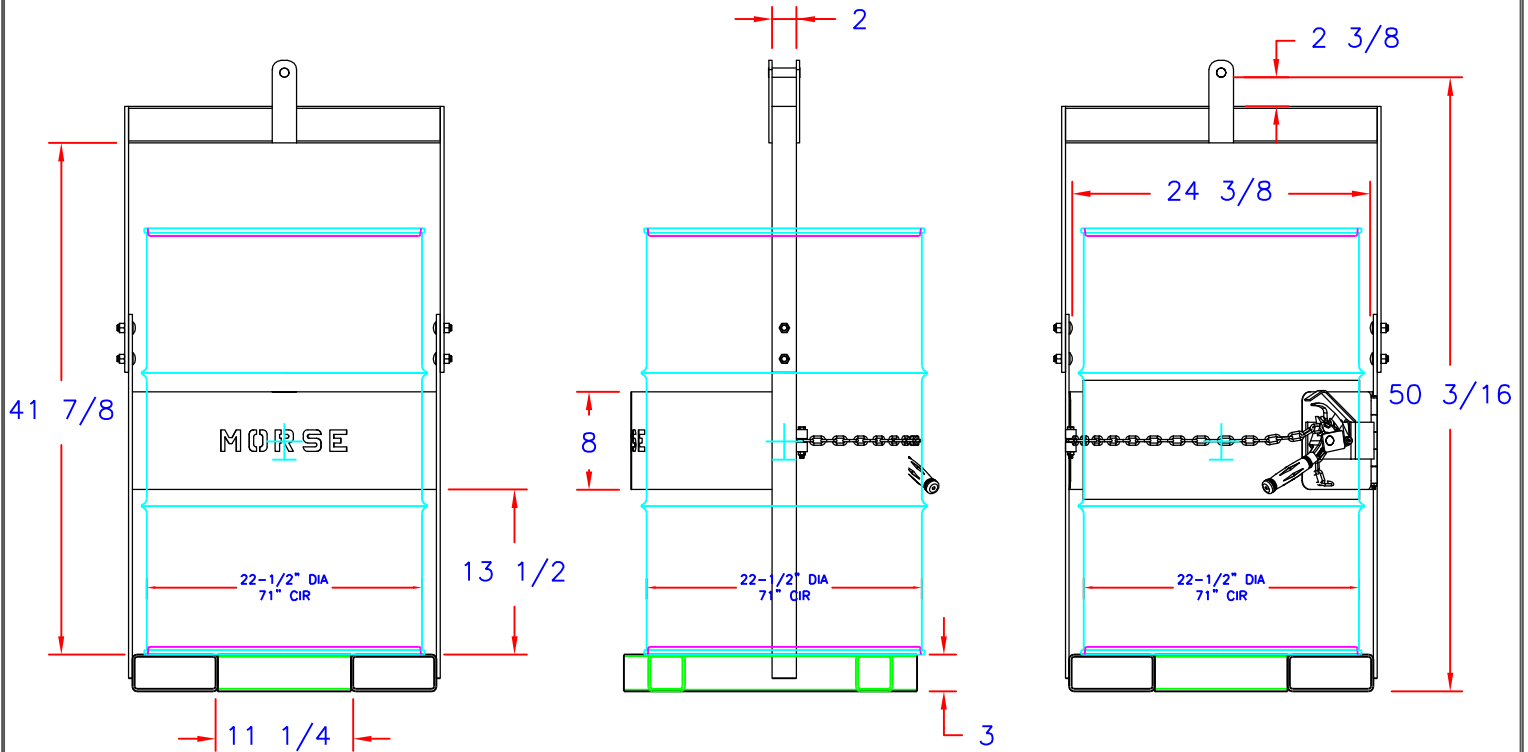
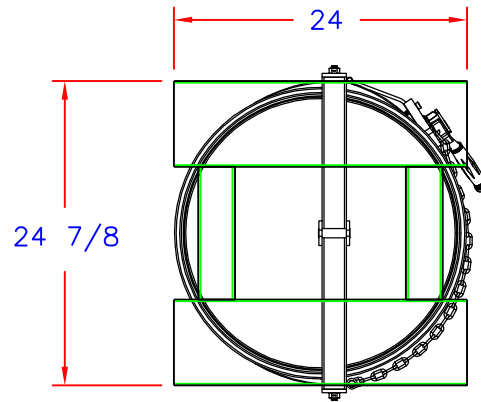


- LIKE MODEL 86 EXCEPT WITH FORK POCKETS BELOW DRUM
- REQUIRES 11.5" BETWEEN FORKS
- FORK POCKET OPENING IS 2.5" HIGH X 6.5" WIDE
- 1000LB CAPACITY
- SHOWN WITH 55GAL STEEL DRUM



MORSE 727 WEST MANLIUS ST.
P.O. BOX 518
MANUFACTURING CO.,INC. EAST SYRACUSE, NY 13057

THIS DOCUMENT, AND THE DESIGNS IT DESCRIBES, ARE PROPERTY OF MORSE MFG. CO. AND ARE NOT TO BE REPRODUCED OR USED IN ANY WAY DETRIMENTAL TO THE INTERESTS OF MORSE MFG. CO.

REVISION

EFFECTIVE DATE

INITIALS

TITLE: SPL 86, FORK POCKETS, 1000LB

PART #: 86S-FP

PART FOR:

UNLESS OTHERWISE SPECIFIED
FRACTIONS ± 1/32 .XXX ± .005
ANGLES ± 1° .XX ± .02
* = STOCK SIZE

DRAWN BY: PM

SCALE: 1:16

DATE: 7/10/12

PAGE: