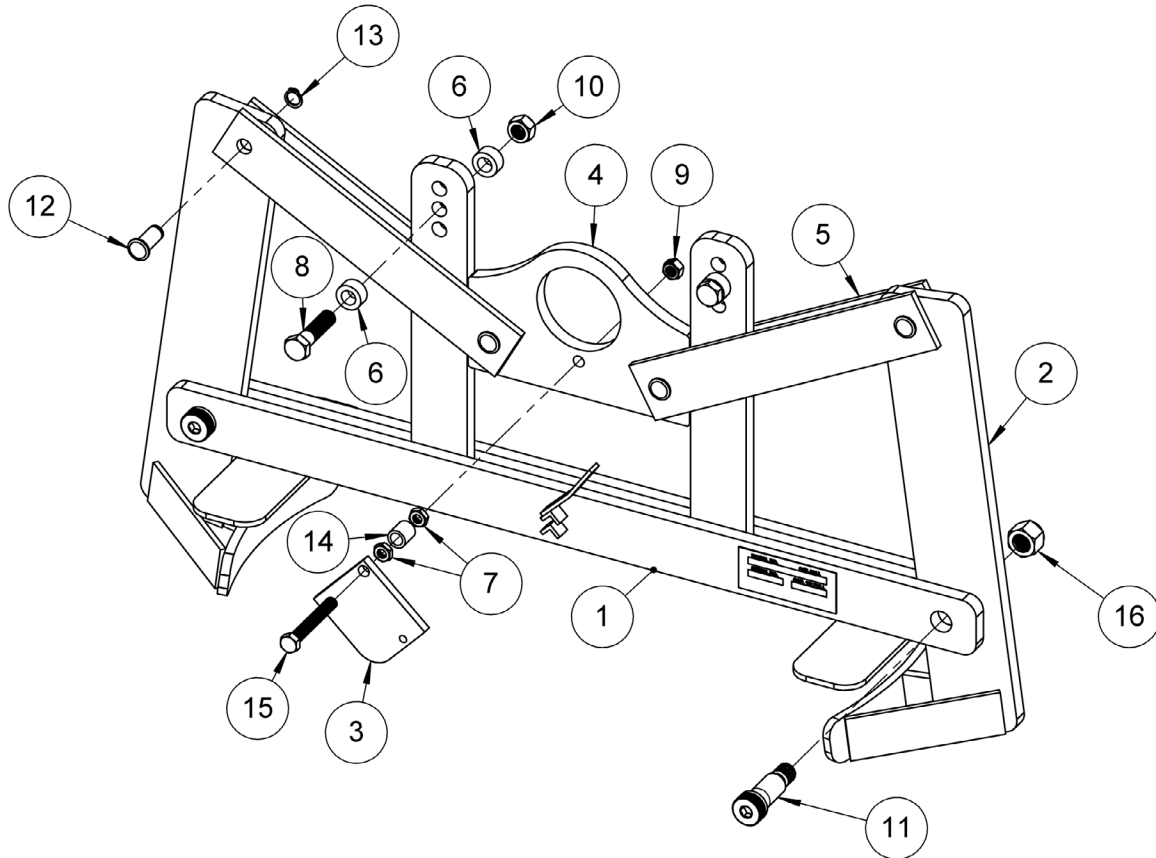


Parts Diagram for Model 90S-HD Heavy-Duty Vert-Karrier
with Serial Number 400000 to _____



ITEM NO.	PART NUMBER	DESCRIPTION	QTY.
1	144S-263028	SPL BASE WELD, 90S	1
2	143S-263028	SPL ARM WELD, 90S	2
3	145-P	LATCH WEIGHT WELD, 90	1
4	980-P	LIFTING PLATE, W/ HOLES, 90, LC	1
5	985-P	LINK, 90, 6/88	4
6	151-P	STOP SPACER, 90	4
7	1165-P	NUT, 3/8-16 JAM	2
8	1168-P	1/2 - 13 X 2 HHCS GR 2	2
9	1169-P	NUT, 3/8-16 REV HEX LOCK	1
10	91-P	NUT, 1/2-13 FIN HEX	2
11	5343-P	SCREW, 3/4 X 1-1/2 SHOULDER	2
12	5344-P	PIN, GROOVE, 1/2 X 1.0625 C	4
13	5345-P	SNAP RING, EXT, HD, .05, 1/2"	4
14	1968-P	TUBING, 5/8 OD X .688, 90, 155	1
15	5966-P	HHCS, 3/8-16 X 2-3/4 FULL THRD	1
16	6265-P	NUT, 5/8-11 NYLON LOCK	2