

**Operator's Manual for Morse Model 92-5
 with Serial Number 0414 to 0915 (MMYY)**

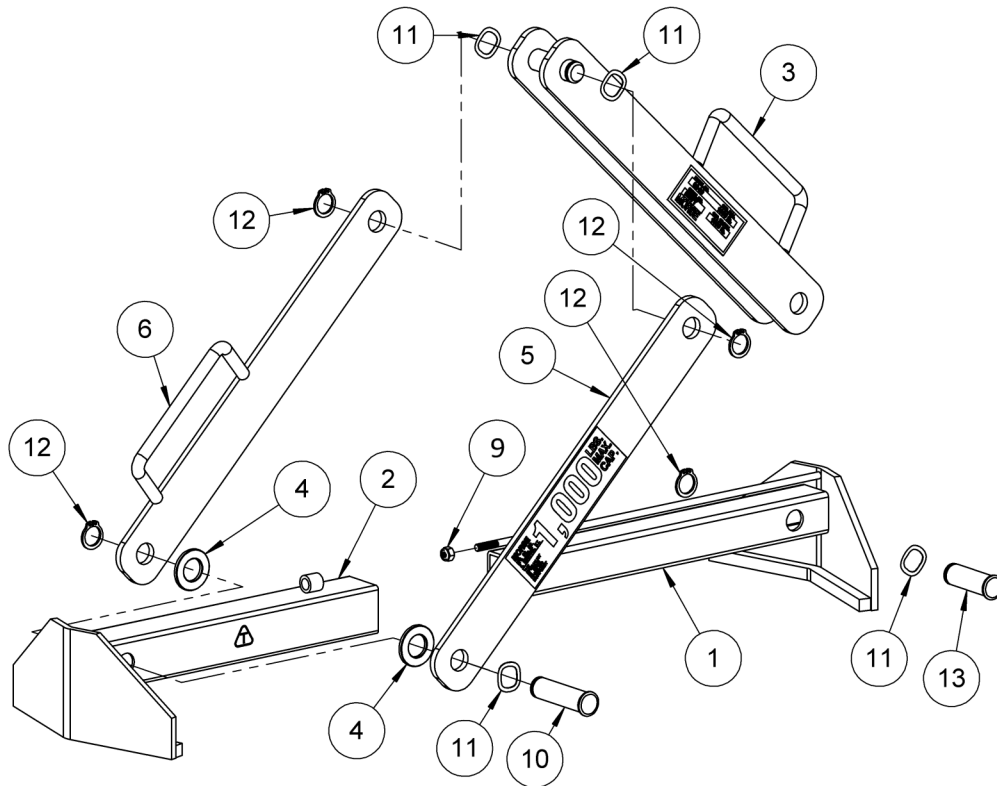
Drum Lifter for 11" to 15" Diameter Rimmed Drum

For replacement parts, please contact your Morse dealer.

When ordering parts, please specify:

- Part number and description
- Model number
- Serial number

Find model number and serial number on metal name plate attached to frame.



ITEM	QTY.	PART #	DESCRIPTION
1	1	4421-P	SMALL SLIDER TUBE WELD, 92-5
2	1	4420-P	LARGE SLIDER TUBE WELD, 92-5
3	1	5588-5-P	DOUBLE LINK WELD, 92-5
4	2	55-P	WASHER, 3/4 SAE FL 1-1/2 OD
5	1	4424-P	LINK, 92-5
6	1	4425-P	LINK WELD W/ HANDLE, 92-5
9	1	4250-P	NUT, 1/4-28 NYLON LOCK
10	1	5585-P	CLEVIS PIN, GROOVE 3/4 X 2.813
11	4	4319-P	WAVE DISC SPRING, 3/4" .0105"
12	4	5330-P	SNAP RING, EXT, HD, .078, 3/4"
13	1	5586-P	CLEVIS PIN, GROOVE 3/4 X 2.35