
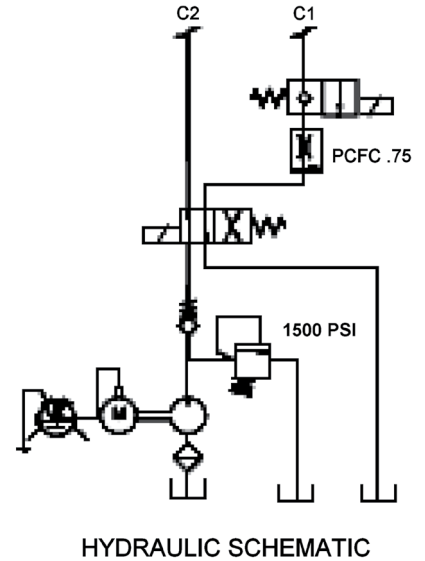
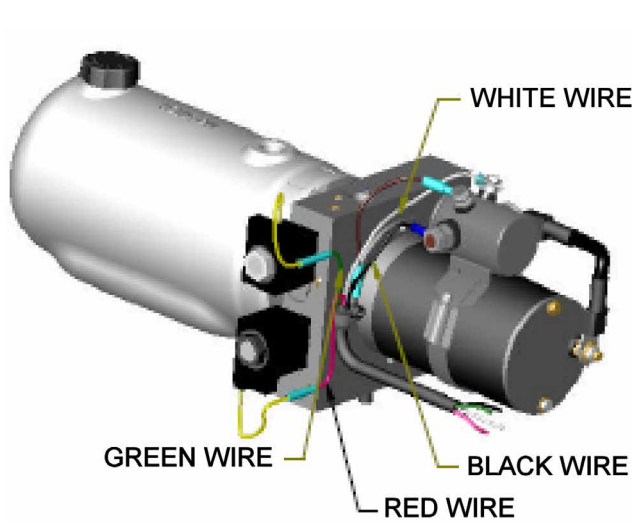


**Used on**

- Model 285A-BP with 6-Digit Serial Number 000000 to 410620, or 4-Digit Serial Number 0108 to 0523 (MMYY)
- Model 285XBP with 6-Digit Serial Number 000000 to 409757, or 4-Digit Serial Number 0108 to 0523 (MMYY)

 **IMPORTANT NOTE**  
4-Digit serial numbers are simply the month & year of manufacture  
Example: 0802 is August 2002

**NOTE:** The M3551-P Power Pack might be replaced with an alternate part, due to stock shortages, lead times and availability. Alternate parts are commonly purchased from different vendors and have the same form, fit and function as original part, making them interchangeable.



ITEM	QTY.	PART #	DESCRIPTION
1	1	M12791-P	BASE ASM, M3551, MOD, 3" MTR
2	1	M01723-.75-P	POPPET ASM, PCFC, .75GPM 780-P
3	1	M07193-D-P	CARTRIDGE, 2W/2P, NC, POPPET
4	1	M00455-D-P	CARTRIDGE, 4W/2P, #8, 1/2"STEM
5	2	M00678-D-P	COIL, 12VDC, M3551-P, MON
6	1	M08053-P	MOTOR, 12V DC, M642
7	1	M12637-150-P	PUMP ASM, GEAR CODE 150, M3551
8	2	M17018-P	PIN, DOWEL, 1/4 X 3/4, M3551
9	1	M17121-P	SHAFT, INTERMED, MICRO, DC
10	4	M07763-P	SHCS, 1/4-20 X 1-1/4
11	1	M01209-P	TUBE, FILTER SUCTION, DC
12	1	M01203-P	TUBE, RETURN, 1/8 NPTF, M3551
13	1	M01134-P	FILTER SCREEN, SUCTION MON
14	1	M06103-P	RESERVOIR, PLASTIC, 4.5 X 10
15	1	M07900-P	CLAMP, HOSE, WORM GEAR, RSV
16	1	M03171-P	PLUG, BREATHER, 3/8 NPT
17	1	M03335-P	SWITCH, SOLENOID 12VDC 4 POST
18	1	M07892-P	CLAMP, HOSE, WORM, 2.31-3.25
19	1	M07551-07-P	WIRE ASM, CONTROL, 16 AWG, HS
20	1	M07965-P	CABLE, INSULATED W/ LUGS, 6"
21	1	M17799-18-P	CORD, HARNESS, 4 WIRE, 18"L
22	1	3240-P	PENDANT, 2 BUTTON, BP
23	1	M07747-P	SHCS, 1/4-20 X 3/4, MON

### Used on

- Model 285A-BP with 6-Digit Serial Number 000000 to 410620, or 4-Digit Serial Number 0108 to 0523 (MMYY)
- Model 285XBP with 6-Digit Serial Number 000000 to 409757, or 4-Digit Serial Number 0108 to 0523 (MMYY)

### NOTES:

#### 1. SPECIFICATIONS:

A. DISPLACEMENT  
0.032 CU IN/REV

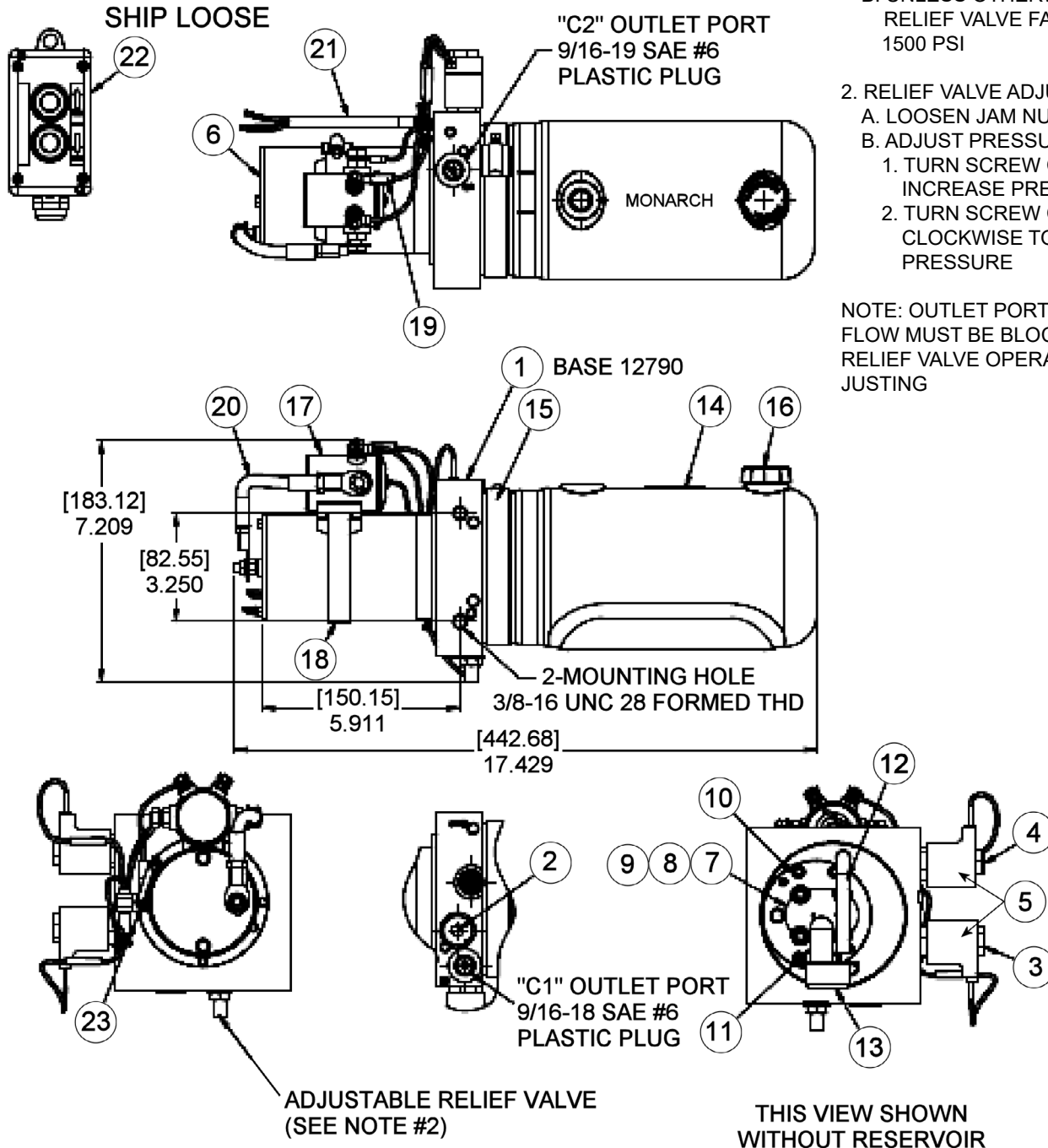
B. UNLESS OTHERWISE SPECIFIED:  
RELIEF VALVE FACTORY SET AT:  
1500 PSI

#### 2. RELIEF VALVE ADJUSTMENT:

A. LOOSEN JAM NUT  
B. ADJUST PRESSURE

1. TURN SCREW CLOCKWISE TO INCREASE PRESSURE
2. TURN SCREW COUNTER CLOCKWISE TO DECREASE PRESSURE

NOTE: OUTLET PORT (PRESSURE) FLOW MUST BE BLOCKED TO MAKE RELIEF VALVE OPERATE WHILE ADJUSTING



## Maintenance for Hydraulic Power Pack

### Maintenance info for Hydraulic Pump

Recommended oil is petroleum based Dexron III ATF or equivalent (non-synthetic).  
Change oil yearly.

#### Recommended Operating Conditions:

- Oil Temperature Range: 10°F to 170°F (-25°C to 77°C)
- Operating Temperature: 50°F to 130°F (10°C to 54°C)

#### Oil Viscosity:

- Optimum 100 to 350 SUS (Cst = .22 X SUS – 135/SUS)
- Minimum 100 SUS at Operating
- Maximum Start Up 4000 SUS

#### Recommended Filtration:

- 10 micron nominal or better

The system should not be disassembled in the field for maintenance. These are pass or fail components.

If the valve or pump fails it will need to be replaced due to wear on components.

The root cause for the failure needs to be taken into account to avoid contaminating the new components or to avoid exposing them to the same fail parameters.