

CONTENTS

- Description
- Parts List and Diagram

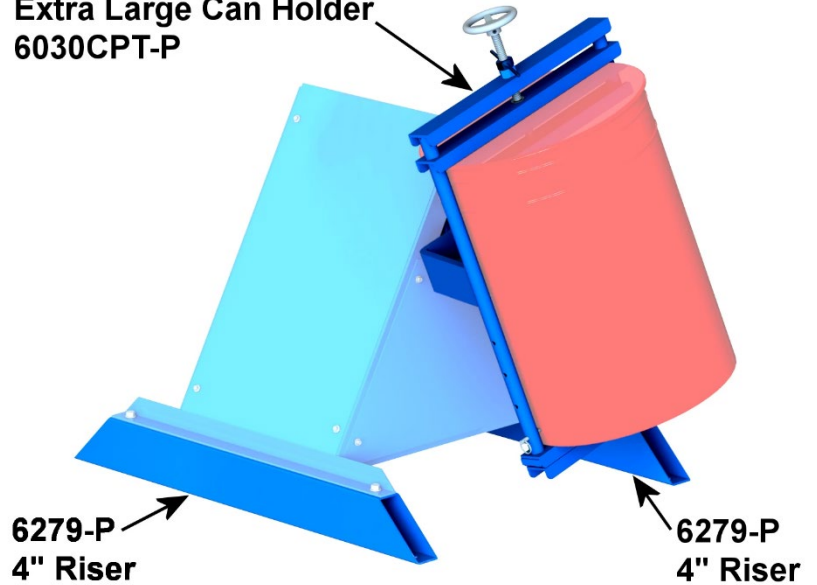
Description

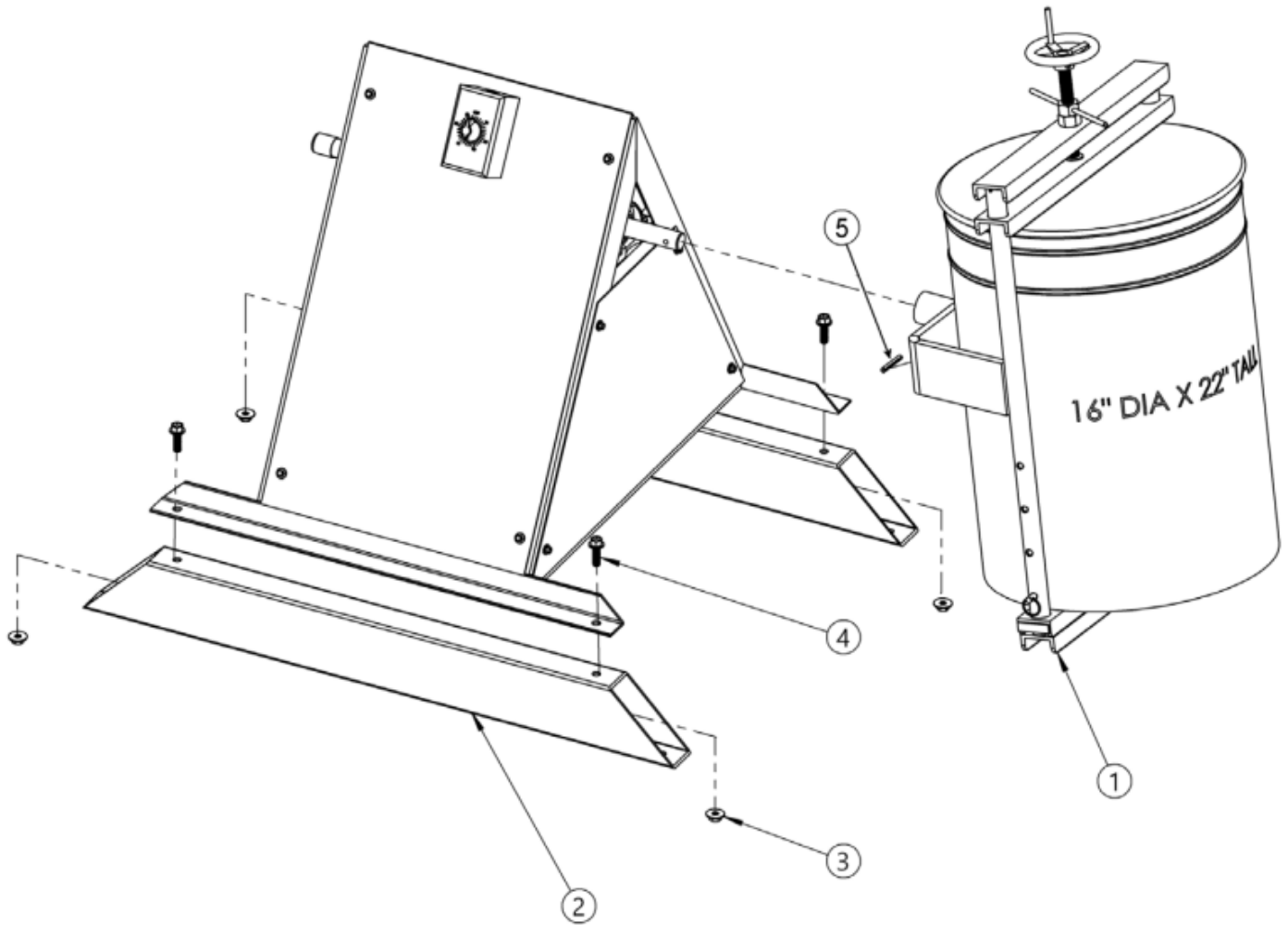
Extra Large Can Holder for
1-305 Series Single Can Tumbler

Install to mix cans with

- Up to 16" (40.6 cm) diameter
- 11" to 22" (28 to 55.9 cm) tall

Extra Large Can Holder 6030CPT-P





ITEM	QTY.	PART NUMBER	DESCRIPTION
1	1	6030CPT-P	CAN HOLDER COMPLETE, 305 XL
2	2	6279-P	TUBE, 4 X 2, 305 BASE
3	4	4002-P	NUT, 3/8-16 WHIZ LOCK
4	4	4003-P	BOLT, 3/8-16 X 1-1/4 WHIZ
5	1	2434-P	ROLL PIN, 1/4 X 2"