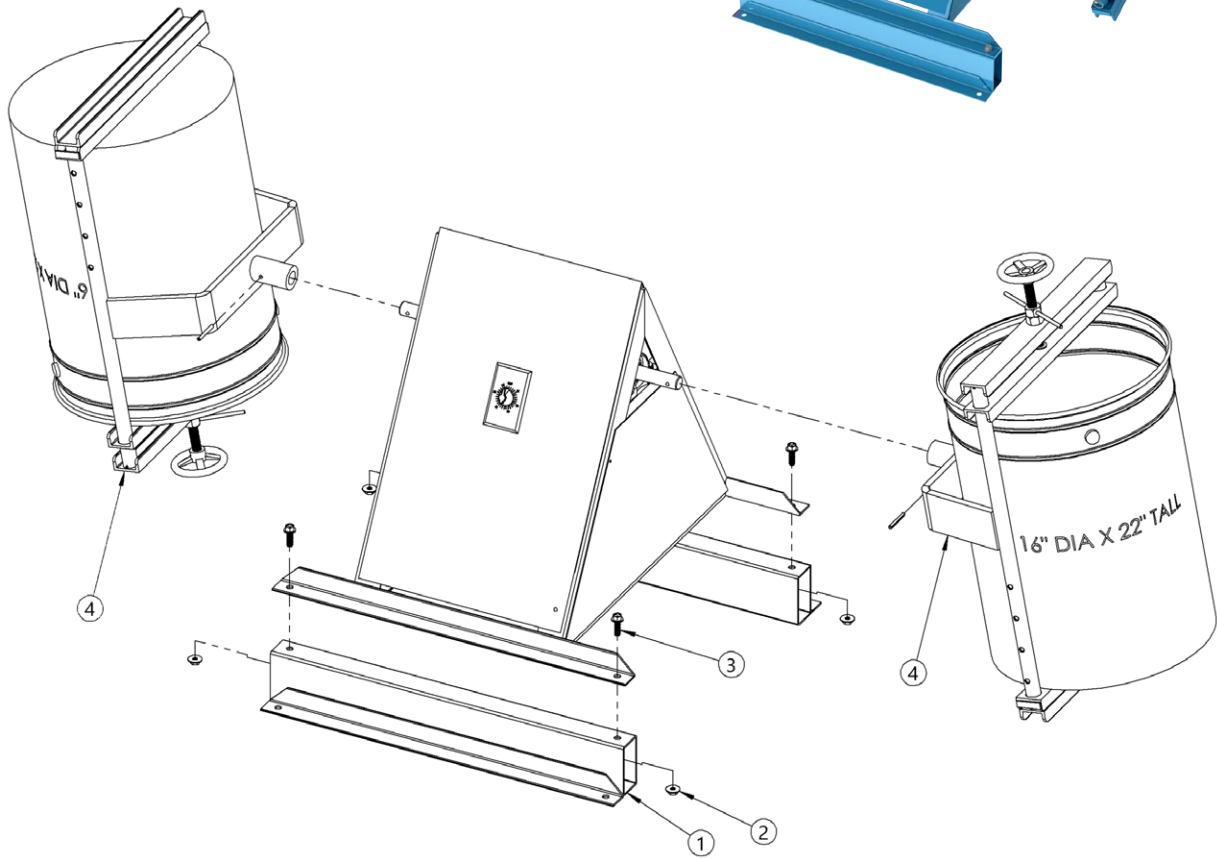
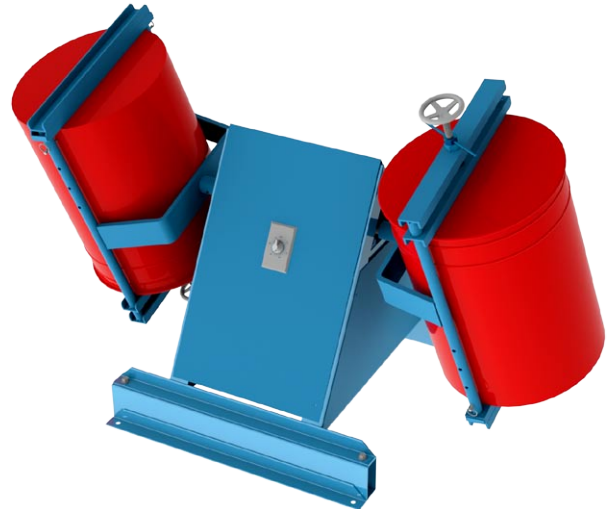


**Parts List and Diagram for Morse Kit # XLC-2-305
 As Sold from Sept. 2018 to May 2018**

Install on 2-305 Series Double Can Tumbler

to mix a can with:

- Up to 16" (40.6 cm) diameter
- 11" to 22" (28 to 55.9 cm) tall



Item #	Part #	Description	Qty.
1	6027W-P	TUBE WELD, 305 BASE	2
2	4002-P	NUT, 3/8-16 WHIZ LOCK	4
3	4003-P	BOLT, 3/8-16 X 1-1/4 WHIZ	4
4	6030CPT-P	CAN HOLDER CPT, 305 XL	2