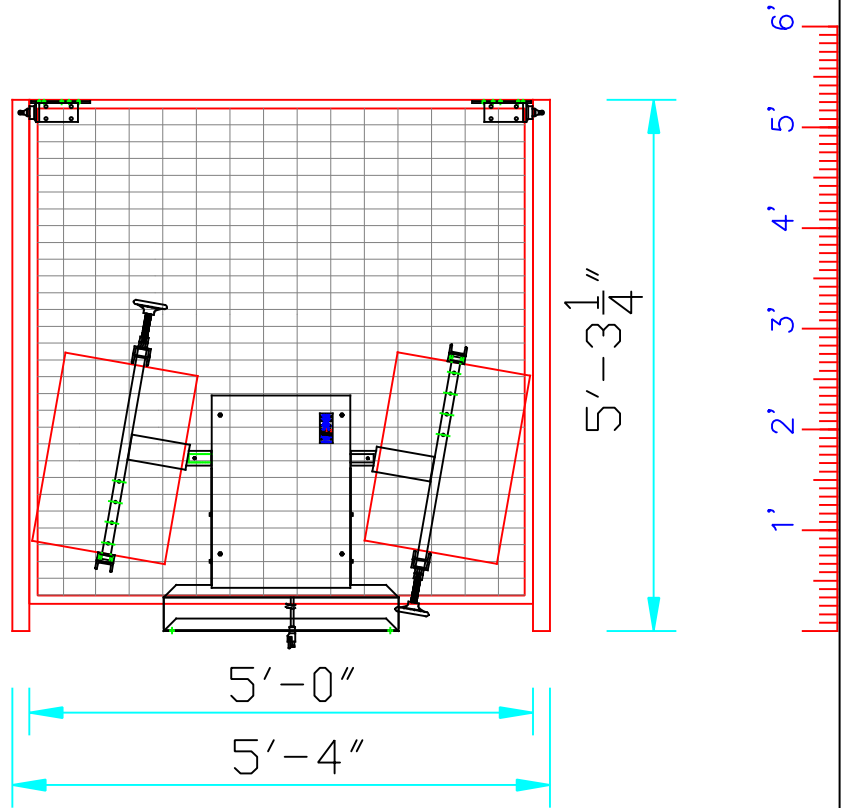
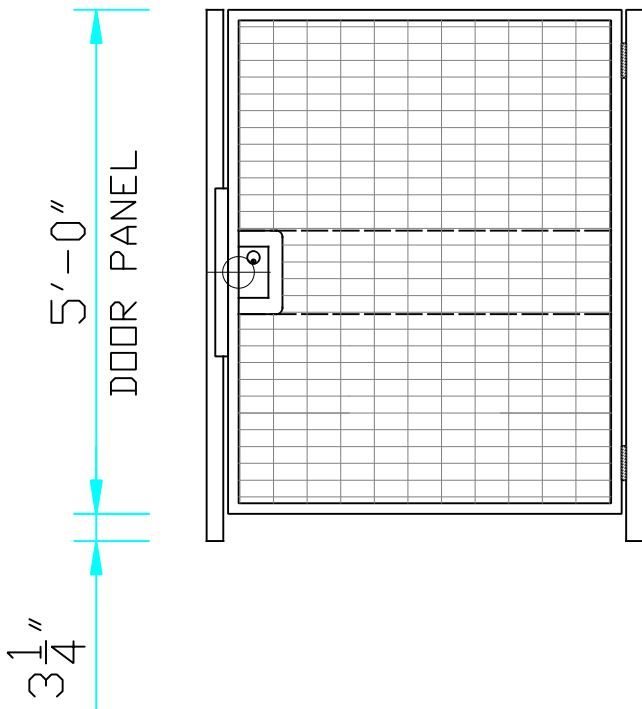
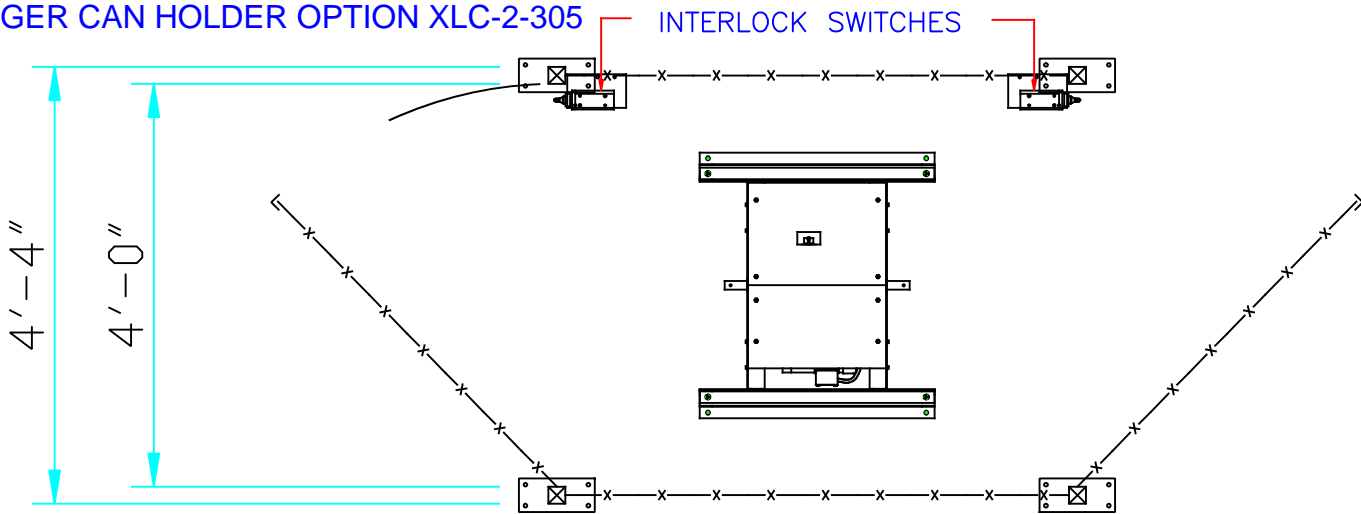


~~ENCLOSURE KIT FOR MODEL  
2-305-1 WITH OPTION XLC-2-305~~

ENCLOSURE KIT GEK-XLC-2-305  
FOR MODEL 2-305-1  
WITH LARGER CAN HOLDER OPTION XLC-2-305

DRUM HOLDERS NOT SHOWN



			<p><b>MORSE</b> 727 WEST MANLIUS ST. P.O. BOX 518 MANUFACTURING CO.,INC. EAST SYRACUSE, NY 13057</p>	
REVISION			EFFECTIVE DATE	INITIALS
TITLE: KIT, ENCLOSURE, 2-305-1 W/ XLC			UNLESS OTHERWISE SPECIFIED	
PART #: GEK-XLC-2-305-1 PART FOR:			FRACTIONS ± 1/32 .XXX ± .005	
			ANGLES ± 1° .XX ± .02	
			* = STOCK SIZE	
			DRAWN BY: PM	
			SCALE: 1:24	
			DATE: 9/1/16	
			PAGE: 1	

THIS DOCUMENT, AND THE DESIGNS IT DESCRIBES, ARE PROPERTY OF MORSE MFG. CO. AND ARE NOT TO BE REPRODUCED OR USED IN ANY WAY DETRIMENTAL TO THE INTERESTS OF MORSE MFG. CO.