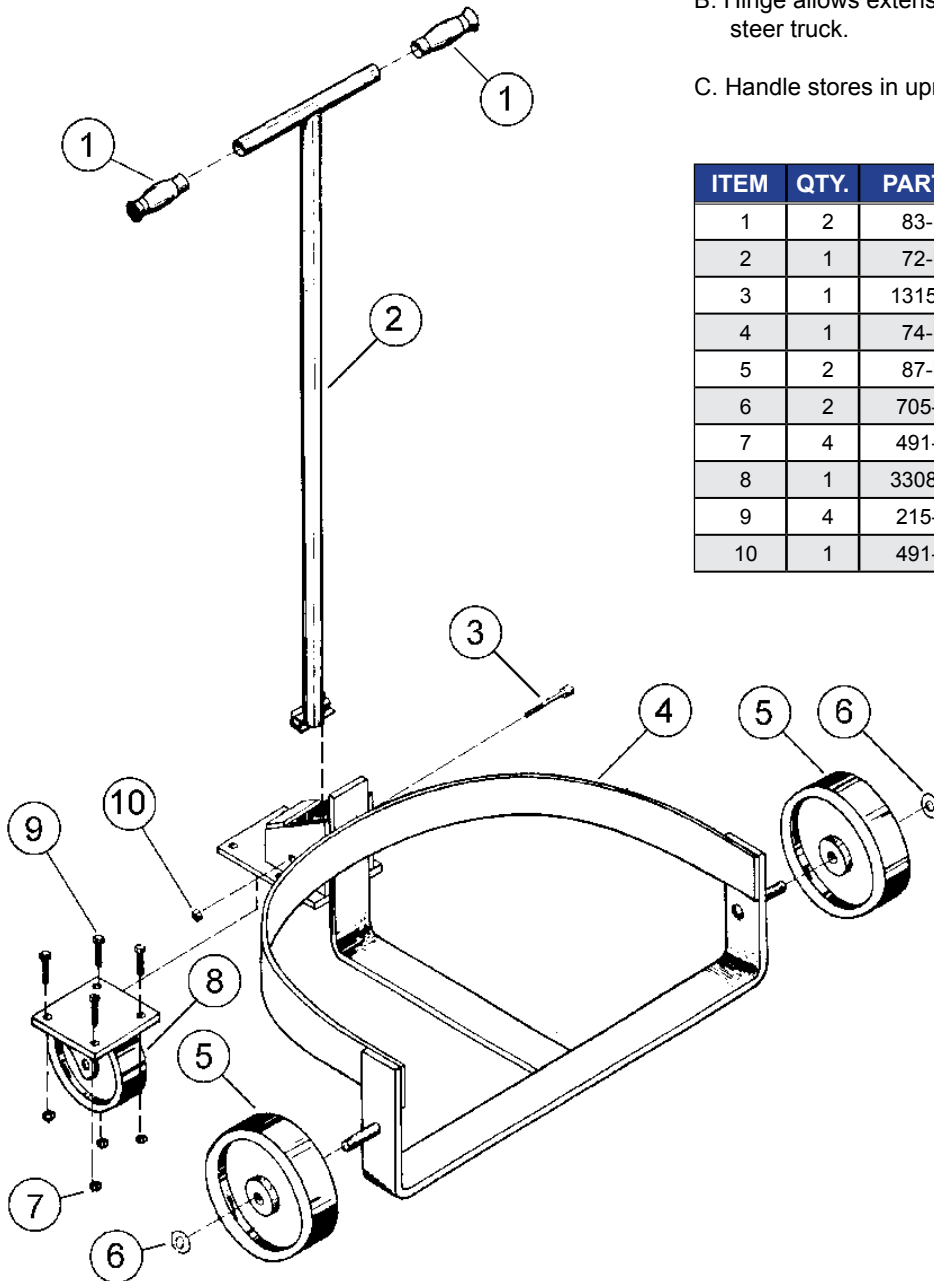


**Morse Model 125 “No-Spill” Drum Truck
with Serial Number 0105 to 0813**

OPERATING INSTRUCTIONS

- A. Move upright drum by pulling or pushing on hinged handle.
- B. Hinge allows extension of handle away from load to pivot or steer truck.
- C. Handle stores in upright position.



ITEM	QTY.	PART #	DESCRIPTION
1	2	83-P	GRIP, HANDLE, 1-1/4 X 4-1/2
2	1	72-P	HANDLE ASM, 125
3	1	1315-P	HHCS, 3/8-16 X 2-3/4 GR2
4	1	74-P	BASE WELD, 125
5	2	87-P	WHEEL, MORTUF, 8", 3/4" BRG
6	2	705-P	CAP, HUB, PUSH-ON, 3/4"
7	4	491-P	NUT, 5/16-18 REV HEX LOCK
8	1	3308-P	CASTER, 4" SWIVEL, DBL RACE
9	4	215-P	HHCS, 5/16-18 X 5/8 GR2
10	1	491-P	NUT, 5/16-18 REV HEX LOCK