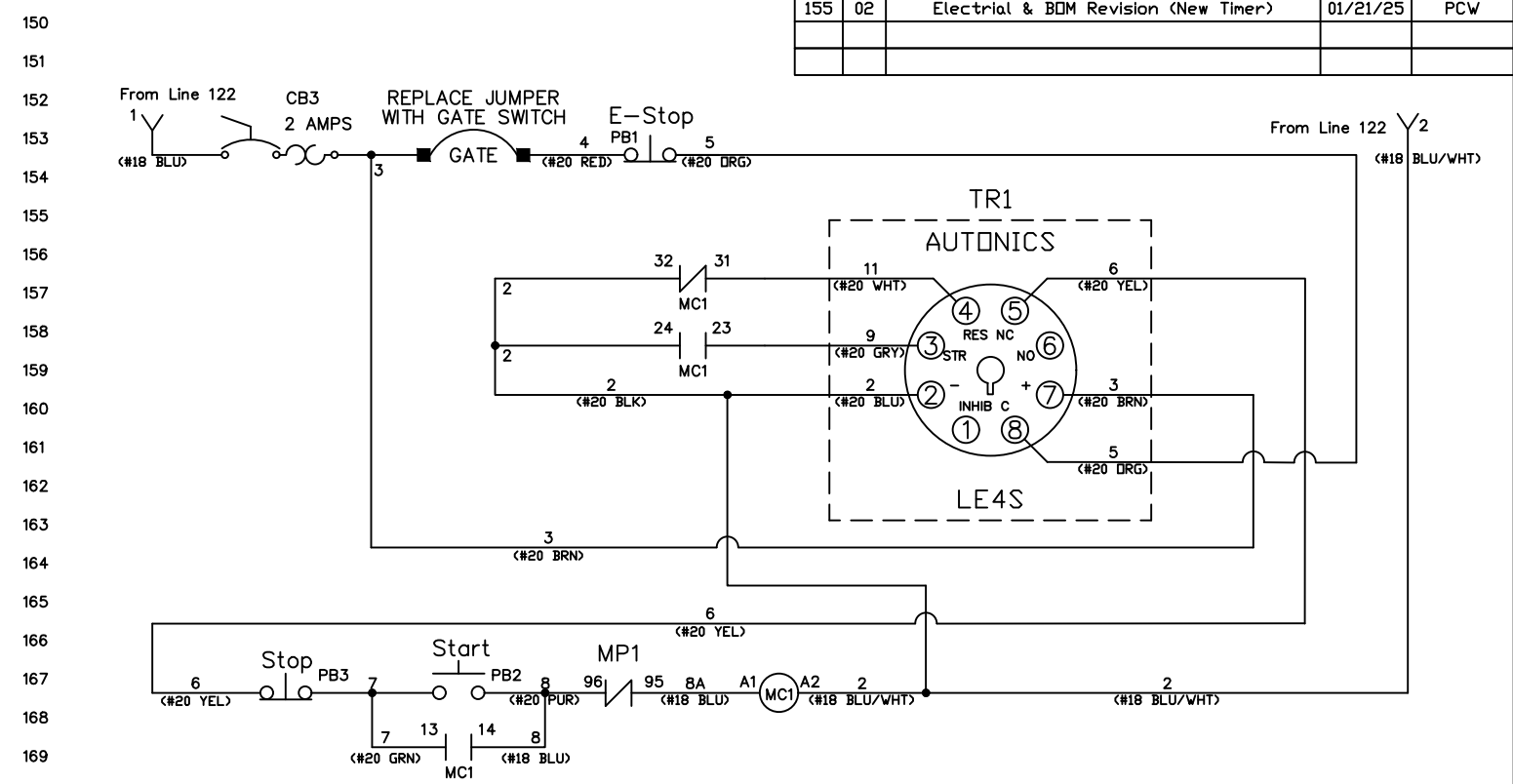
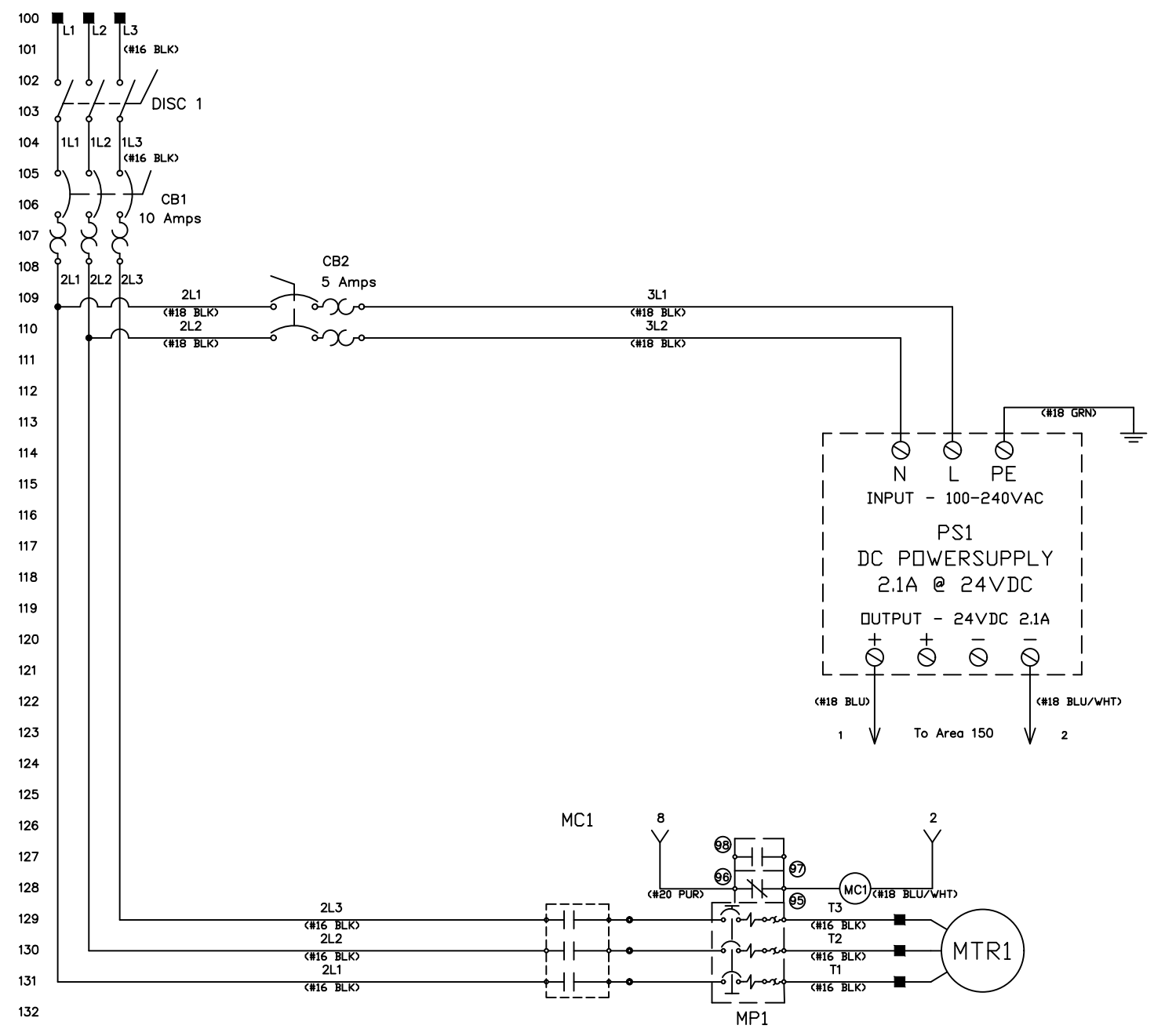


MAINS POWER
208-230 VAC 3 PH 50/60HZ
15 AMP



REVISIONS				
ZONE	REV	DESCRIPTION	DATE	APPROVED
153	01	Reconfigured E-Stop/Gate Switch Circuit	11/01/23	11/01/23
155	02	Electrial & BDM Revision (New Timer)	01/21/25	PCW

*MANUFACTURER	*PART NUMBER	DESCRIPTION	QUANTITY
Iboco	T1-0510G	WIRE DUCT	1
Iboco	OMEGA 3FAL1	DIN Rail	1
Eurobex (EXM)	5412 ESCH141206	Enclosure, NEMA 4-12, 14" x 12" x 6"	1
McMaster-Carr	5891T111	Electrical Hazard Warning Label	1
Mencom	PCG-1/2X	Cable Gland	1
Mencom	PCG-1/2	Cable Gland	2
Mencom	212PA	Nut	3
Autonics	LE4S	Digital Timer, 24-240VAC/VDC, Relay Output	1
Autonics	PG-08	8-Pin Socket	1
Emerson-Sola	SVL 2-24-100	Power Supply, Input 100-240VAC, Output 24VDC @2.1A	1
WEG	BFC0-11	Auxiliary Contact Block, 1NO/1NC	1
WEG	CWC012-10-30C03	Contactorr	1
WEG	RW17-1D3-U004	Overload Relay, 2.8 to 4.0 Amps	1
WEG	CSW-BS5-WH	Pushbutton, Extended Black	1
WEG	CSW-BF2-WH	Pushbutton, Flush Green	1
WEG	CSW-BESG-WH	E-Stop Operator, Twist-To-Release, 42mm	1
WEG	AF3F	Mounting Flange	3
WEG	BCM01F-CSW	Contact Block, NC, Self-Monitoring	1
WEG	BC01F-CSW	Contact Block, NC	1
WEG	BC10F-CSW	Contact Block, NO	1
Sprecher+Schuh	D7-15YSE112	E-Stop Inscription Ring	1
WEG	MSW 40 B-3 H	Base Mounted 3 Pole Switch w/Handle & Shaft	1
Sprecher+Schuh	L9-10/3/D	Circuit Breaker, 10 Amp, D-Curve	1
Sprecher+Schuh	L8-5/2/B	Circuit Breaker, 5 Amp, B-Curve	1
Sprecher+Schuh	L8-2/1/B	Circuit Breaker, 2 Amp, B-Curve	1
Sprecher+Schuh	V7-WG4	Ground Terminal	1
Sprecher+Schuh	V7-W4	Terminal	9
Sprecher+Schuh	V7-EA35	End Anchor	9
Sprecher+Schuh	V7-EB3	End Barrier	1
Sprecher+Schuh	V7-PP3	Partition	2
Sprecher+Schuh	V7-SM6X12	Marker Card	1
		Legend Plate, 0.75" x 0.75", "0/STOP"	1
		Legend Plate, 0.75" x 0.75", "I/START"	1

TIMER SETTINGS		
PARAMETER	DISPLAY	SETTING
Output operation mode	o u t	o o d
Time Range	t r n	99'59" m
Time UP/DOWN	u - d	d n
Width of min. input signal	i n t	20
Backlight	b l u	o n
Key lock	l o ck	l o ff

*FUNCTIONALLY EQUIVALENT COMPONENTS MAY BE SUBSTITUTED

DRAWN BY	PCW
CHKD BY	PCW
DATE DRAWN	11/01/2023
DATE CHKD	01/21/2025



103 Kuhn Rd, Syracuse, NY 13208
PHONE 315-564-4347 FAX 315-437-1029

THIS MATERIAL IS THE EXCLUSIVE PROPERTY OF MORSE MANUFACTURING COMPANY INC. AND MUST BE RETURNED TO MORSE IMMEDIATELY UPON REQUEST. THIS MATERIAL AND INFORMATION ILLUSTRATED OR CONTAINED HEREIN MAY NOT BE REPRODUCED, COPIED, USED, OR TRANSMITTED IN ANY MANNER OR BY ANY MEANS WITHOUT THE PRIOR WRITTEN CONSENT OF MORSE MANUFACTURING COMPANY INC.

TITLE	MORSE 5627-P (ELECTRICAL)	DWG NO.	AAC1042622A	SHEET	1 of 1	REV	02
-------	---------------------------	---------	-------------	-------	--------	-----	----