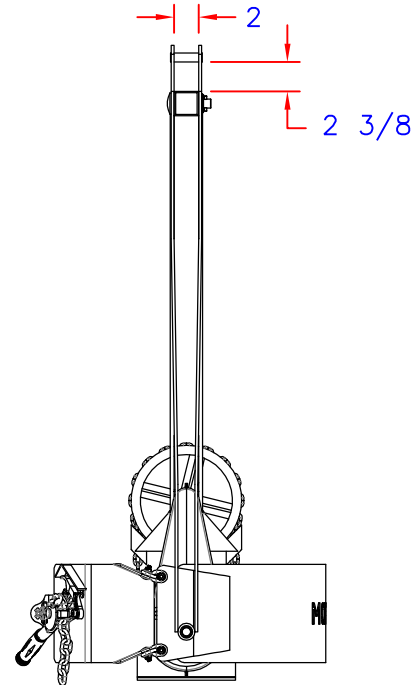
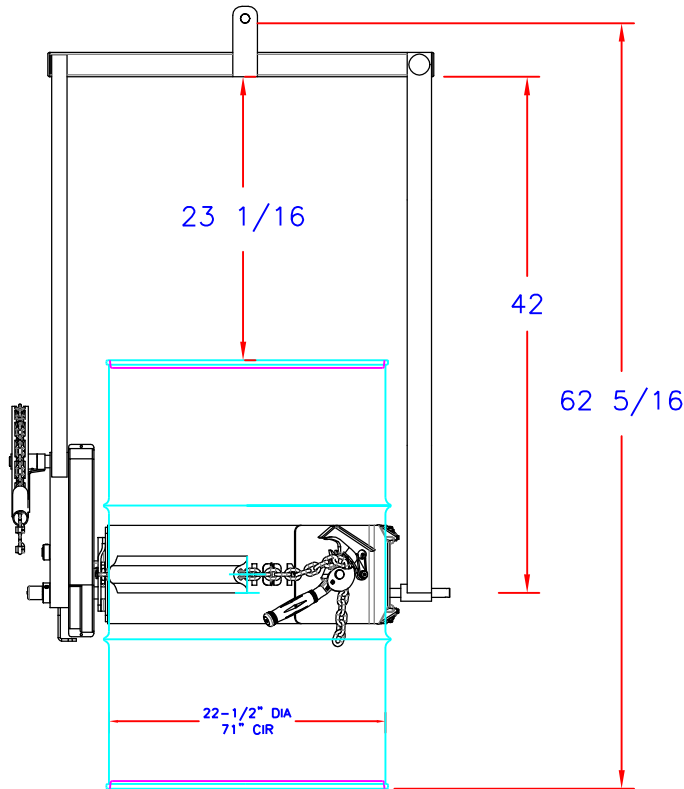
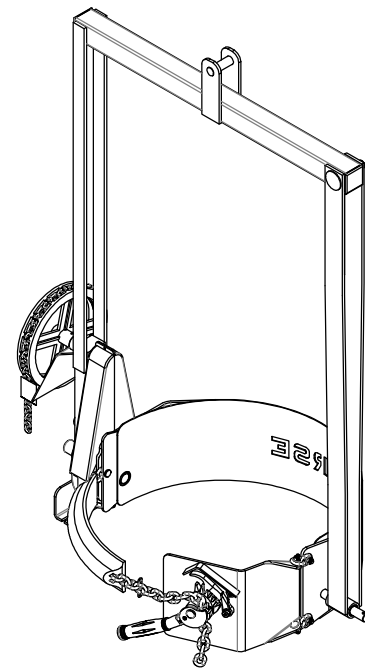
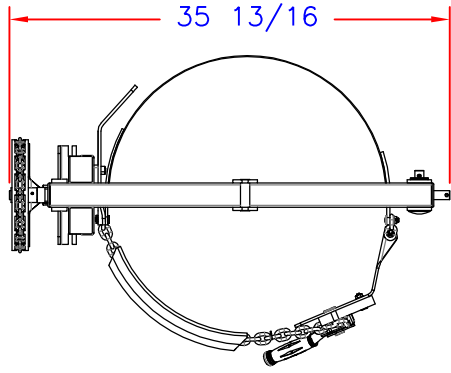


- LIKE MODEL 185A EXCEPT W/ LONGER ARMS
- SHOWN WITH 55GAL STEEL DRUM
- 800LB CAPACITY



UNLESS OTHERWISE SPECIFIED:  
 DIMENSIONS ARE IN INCHES  
 TOLERANCES:  
 FRACTIONAL ± 1/32  
 ANGULAR: MACH ±1° BEND±1°  
 TWO PLACE DECIMAL ±.02  
 THREE PLACE DECIMAL ±.005

MATERIAL  
 Material (not specified)

FINISH

DO NOT SCALE DRAWING

NAME	DATE
DRAWN	
ENG APPR.	
MFG APPR.	

LAST EDIT DATE:  
 Wednesday, January 18, 2012 3:45:37 PM

EDITED BY:  
 rhorn

COMMENTS:

MORSE  
 Manufacturing Company, Inc.

TITLE: SPL KONTROL-KARRIER,  
 LONGER ARMS, 800LB

SIZE	DWG. NO.	REV.
A	185S-LA	
SCALE:1:16	WEIGHT:	SHEET 1 OF 1

PROPRIETARY AND CONFIDENTIAL  
 THE INFORMATION CONTAINED IN THIS  
 DRAWING IS THE SOLE PROPERTY OF  
 Morse Mfg Co, Inc. ANY  
 REPRODUCTION IN PART OR AS A WHOLE  
 WITHOUT THE WRITTEN PERMISSION OF  
 Morse Mfg Co, Inc. IS PROHIBITED.

NEXT ASSY USED ON

APPLICATION