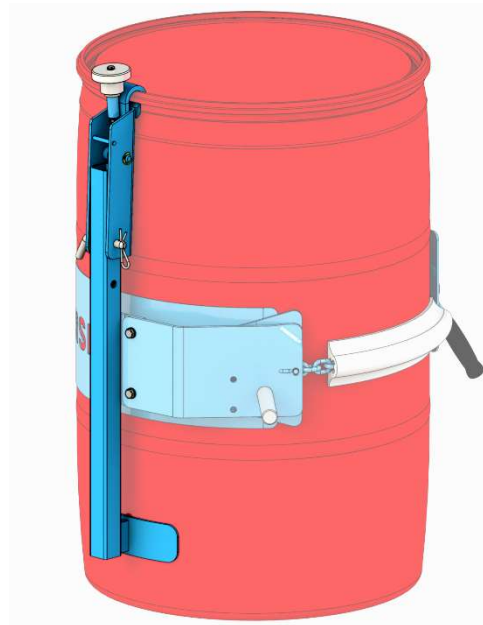


CONTENTS

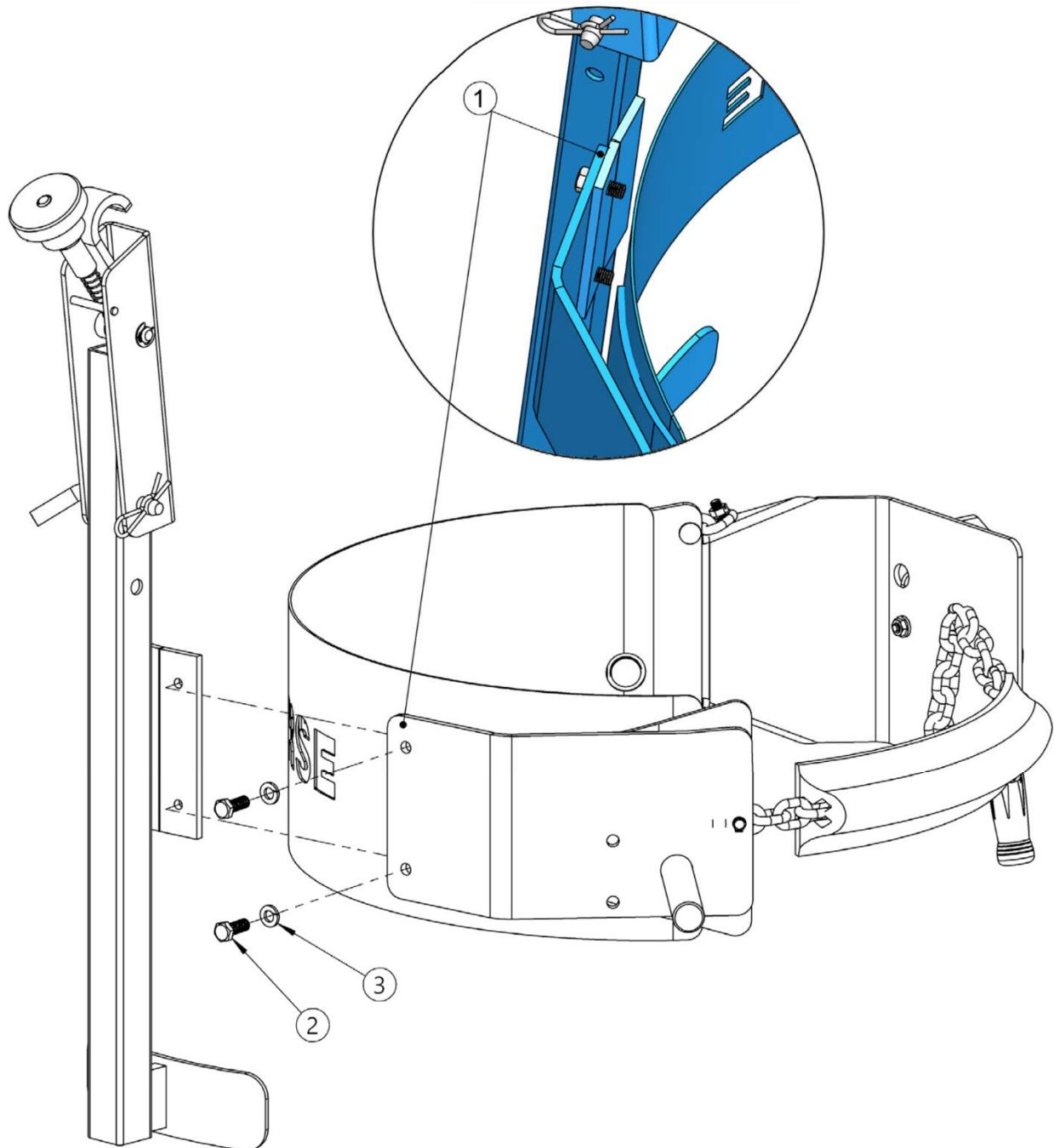
- Installation Instructions
- Assembly Instructions
- Operating Instructions
- Dimensions



WARNING - This product can expose you to chemicals including barium sulfate, cobalt, titanium dioxide, and 2-methylimidazole, which are known to the State of California to cause cancer, and bisphenol-A, which is known to the State of California to cause birth defects or other reproductive harm. For more information go to www.P65Warnings.ca.gov

INSTALLATION INSTRUCTIONS

1. Position Rim Clamp Assembly on **INSIDE** the drum holder bracket (item 1) with holes aligned.
2. Bolt in place with 2 bolts (item 2) and 2 washers (item 3) using 9/16" wrench.

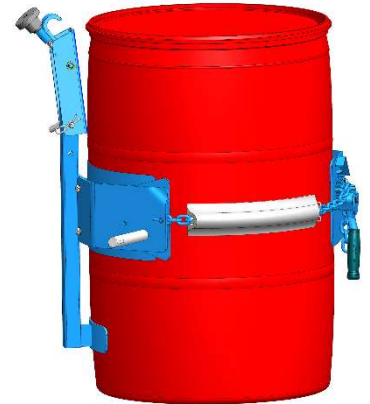
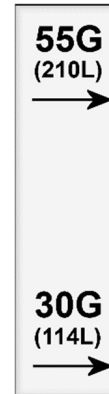


BEFORE OPERATING RIM CLAMP

Select Correct Rim Clamp Position for ONE Drum Size

- 55-Gallon (210Liter)
- 30-Gallon Drum (114 Liter)

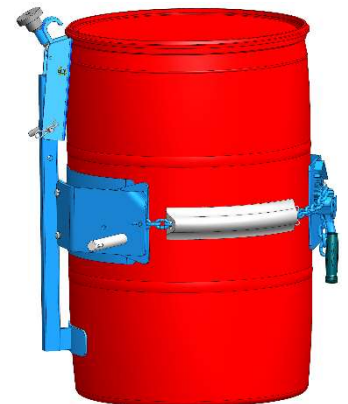
Insert pin through holes to hold position



OPERATING INSTRUCTIONS

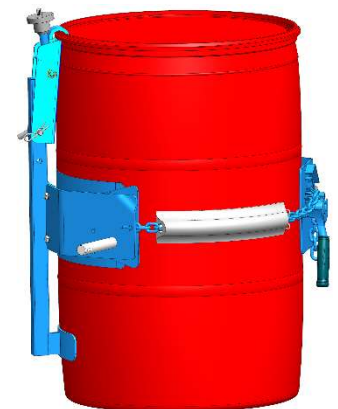
Steps to Secure Drum

1. Tighten cinch chain or web strap around drum just enough to hold drum with bottom jaw of Top Rim Clamp positioned under top rim of drum. Swing bottom jaw into position against drum sidewall to engage directly beneath drum top rim.
2. Swing top hook over top rim of drum and turn hand wheel clockwise until SECURELY clamped over drum top rim.
3. Securely tighten cinch chain or web strap around drum.
4. **IMPORTANT:** Lift Drum **SLIGHTLY**... Then ensure
 - Bottom jaw is engaged under drum top rim
 - TIGHTEN Top jaw to ensure it grips drum top rim

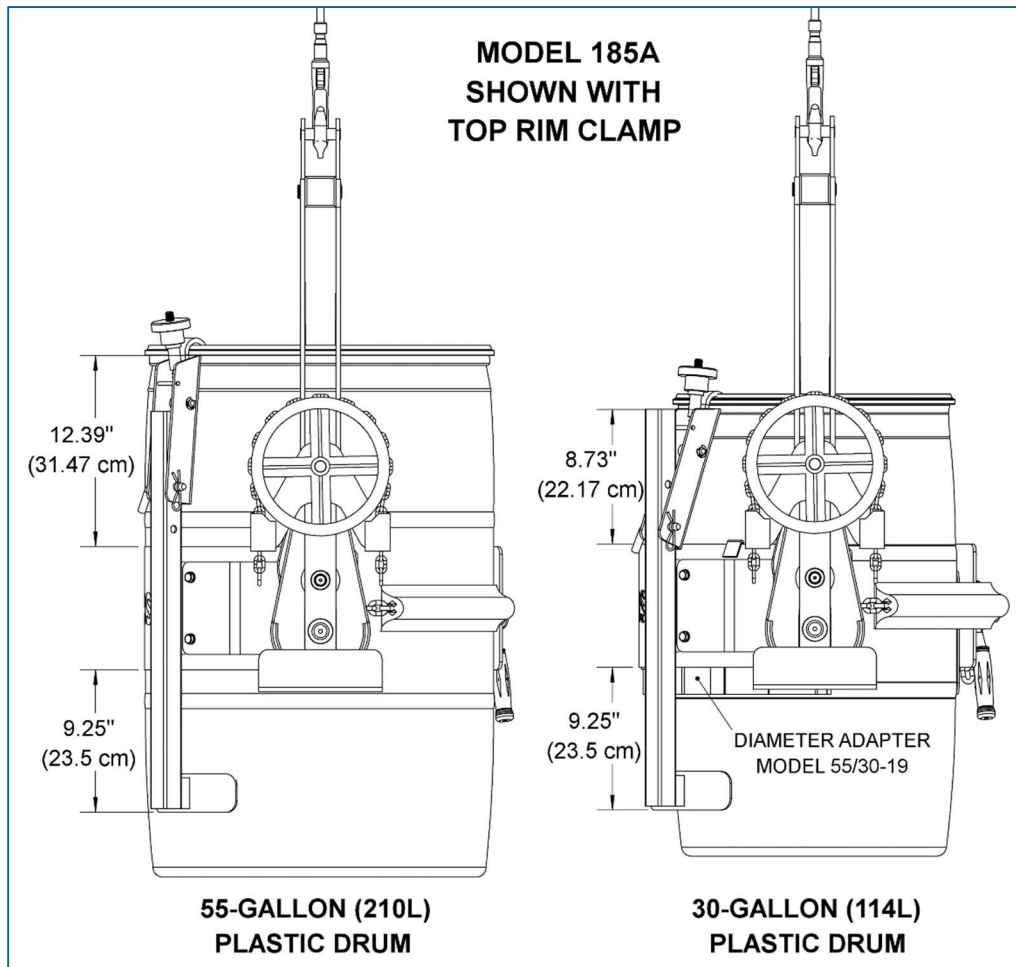


Steps to Release Drum

1. Lower drum to floor in upright position
2. Release cinch chain or web strap from around drum
3. Open Top Rim Clamp by turning knob counter clockwise
4. Disengage hook from drum top rim



**Dimensions of Top Rim Clamp 4560B-P
Shown with Morse model 185A**



55 Gallon (210 Liter) plastic drum | 30 Gallon (114 Liter) plastic drum