

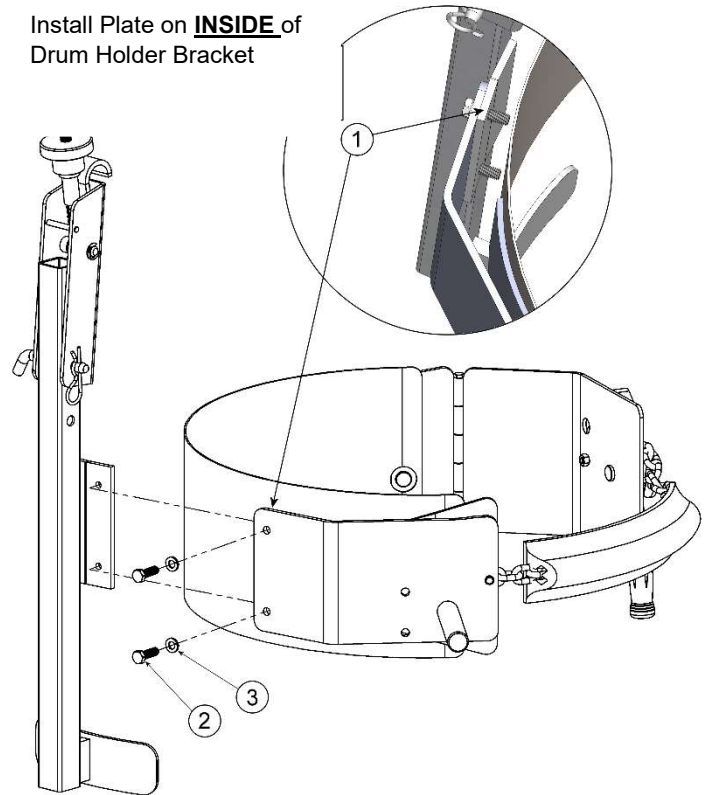
## INSTALLATION INSTRUCTIONS

1. Position Rim Clamp Assembly on **INSIDE** of drum holder bracket (item 1) with holes aligned
2. Bolt in place with 2 bolts (item 2) and 2 washers (item 3) using 9/16" wrench



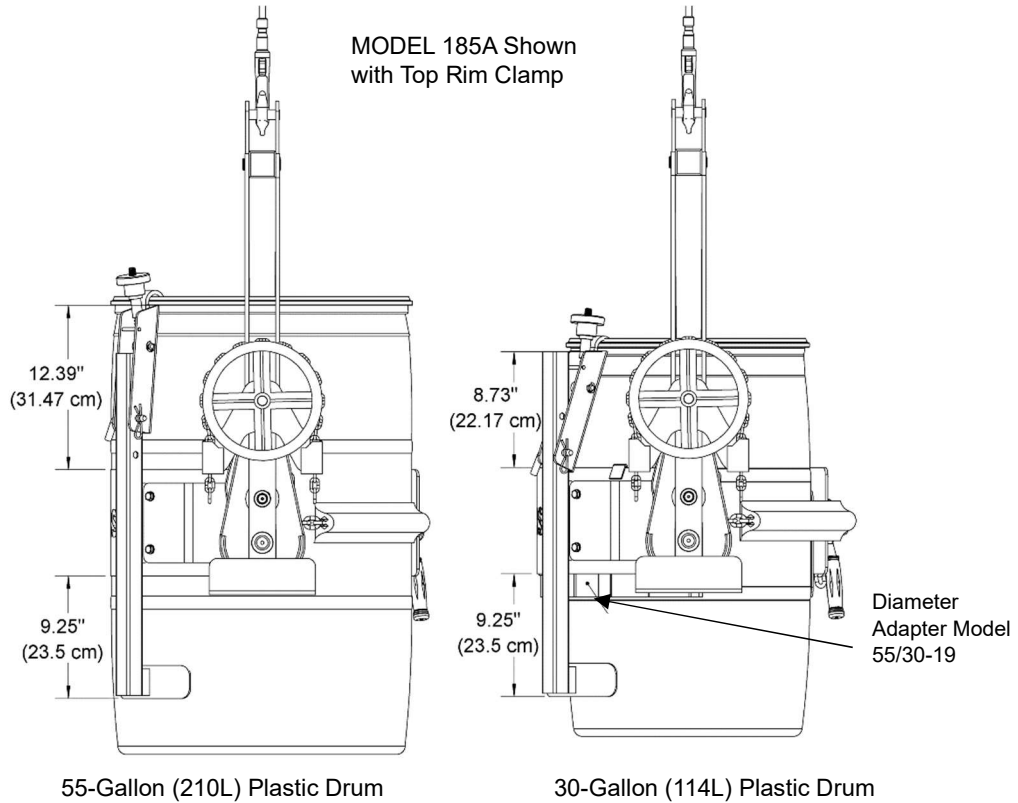
**WARNING:** This product can expose you to chemicals including barium sulfate, cobalt, titanium dioxide, and 2-methylimidazole, which are known to the State of California to cause cancer, and bisphenol-A, which is known to the State of California to cause birth defects or other reproductive harm. For more information go to [www.P65Warnings.ca.gov](http://www.P65Warnings.ca.gov)

Install Plate on **INSIDE** of Drum Holder Bracket



**DIMENSIONS**

MODEL 185A Shown  
 with Top Rim Clamp

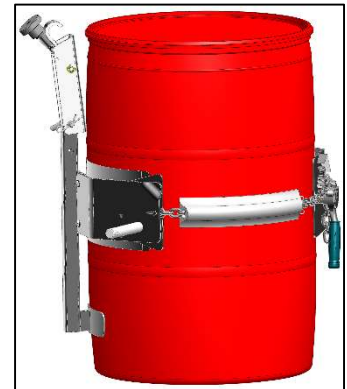
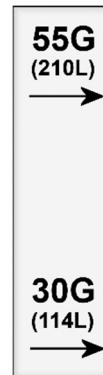


**BEFORE OPERATING RIM CLAMP**

**Set Correct Rim Clamp Position for 55-Gallon OR for 30-Gallon Drum (210 Liter OR 114 Liter Drum)**

Insert pin through correct holes to set Top Rim Clamp to position for ONE of the following drum sizes:

- 55-gallon (210 liter) size drum
- 30-gallon (114 liter) size drum



## OPERATING INSTRUCTIONS

### Steps to Secure Drum

#### STEP 1.

Tighten cinch chain or web strap around drum just enough to hold drum with bottom jaw of Top Rim Clamp positioned under top rim of drum.

Swing bottom jaw into position against drum sidewall to engage directly beneath drum top rim.

#### STEP 2.

Swing top hook over top rim of drum and turn hand wheel clockwise until SECURELY clamped over drum top rim.

#### STEP 3.

Securely tighten cinch chain or web strap around drum.

#### STEP 4.

**IMPORTANT:** Lift Drum SLIGHTLY... Then ensure:

1. Bottom jaw is engaged under drum top rim
2. TIGHTEN Top jaw to ensure it grips drum top rim

### Steps to Release Drum

1. Lower drum to floor in upright position
2. Release cinch chain or web strap from around drum
3. Open Top Rim Clamp by turning knob counter clockwise
4. Disengage hook from drum top rim

