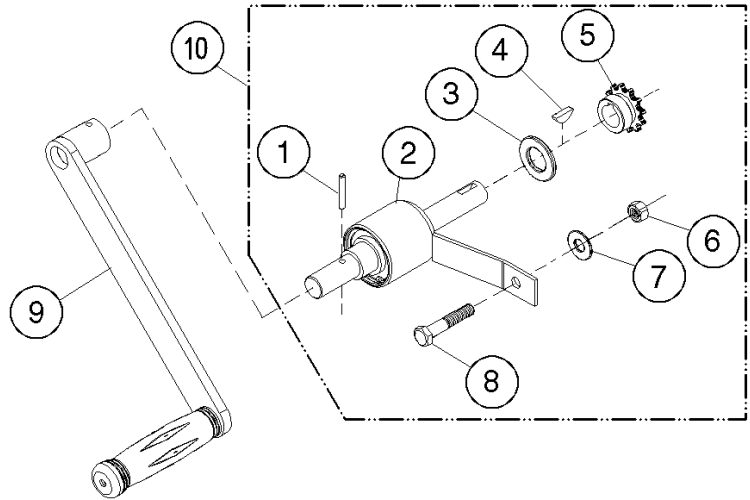
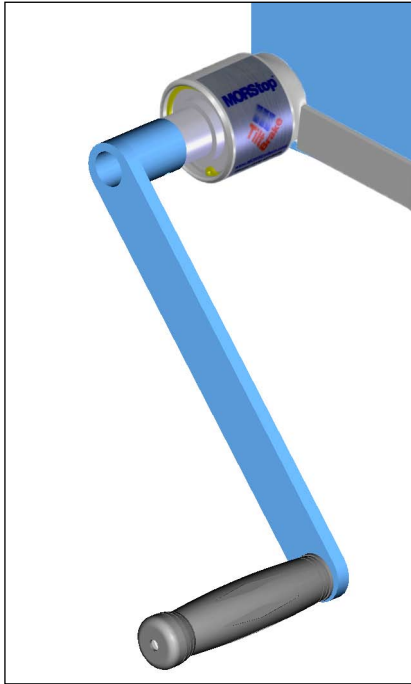


Option X01 Hand Crank with MORStop Tilt-Brake
with Serial number 0309 to 0116 (MMYY)



ITEM	QTY.	PART #	DESCRIPTION
1	1	64-P	ROLL PIN, 3/16 X 1-1/4
2	1	3901-P	MORStop TILT BRAKE
3	1	55-P	WASHER, 3/4 SAE FL 1-1/2 OD
4	1	735-P	KEY, WOODRUFF, SIZE 9, ASA606
5	1	11-P	SPROCKET, #35 12T, 3/4" BORE
6	1	1169-P	NUT, 3/8-16 REV HEX LOCK
7	1	1166-P	WASHER, 3/8 USS 1" OD
8	1	82-P	HHCS, 3/8-16 X 2-1/4 GR2
9	1	5U-P	HAND CRANK, W/ SOCKET TUBE
10	1	3900-P	KIT, MORStop TILT BRAKE, FI