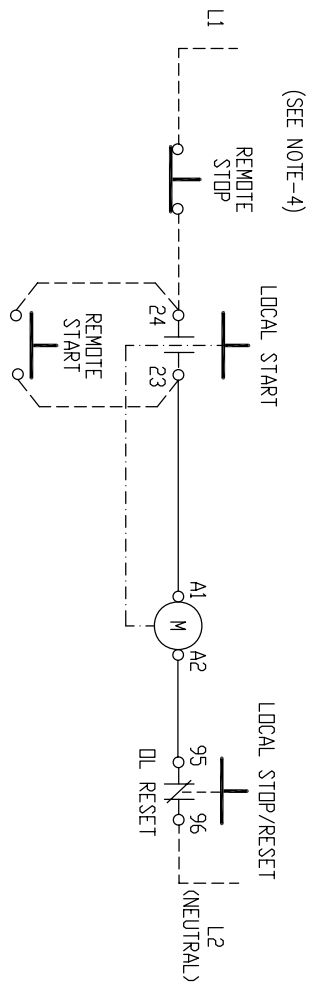
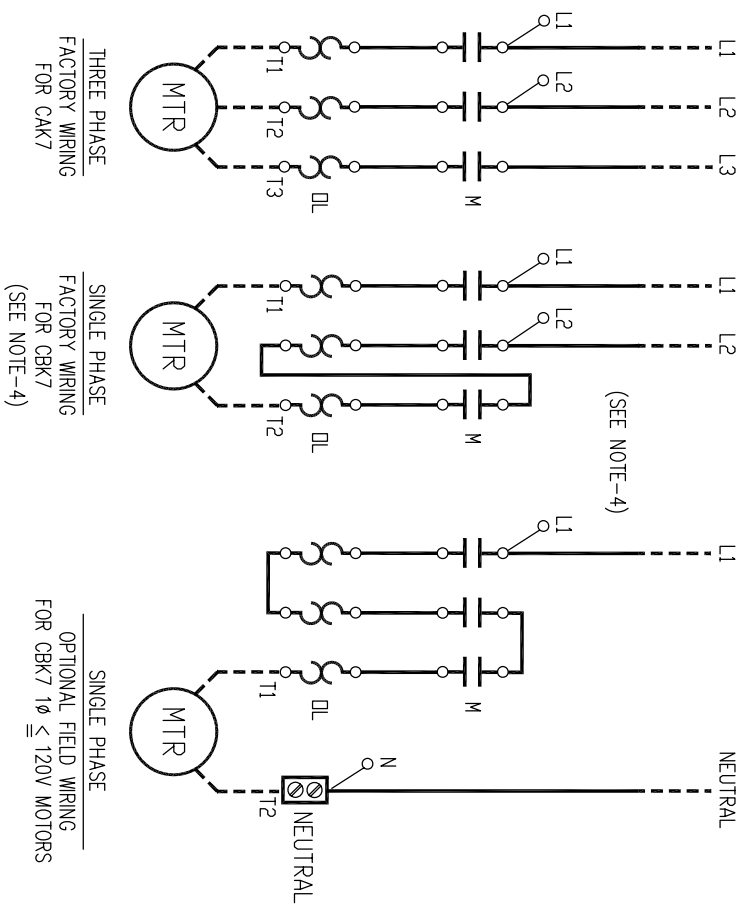


TYPICAL LOCAL START-STOP SCHEMATIC
FOR CAK/CBK 7-9...37



TYPICAL LOCAL START-STOP WITH REMOTE START-STOP
SCHEMATIC FOR CAK/CBK 7-9...37



- NOTES:
- 1) THE LOCAL START BUTTON MECHANICALLY INTERFACES WITH A SPECIAL (RIGHT) SIDE MOUNTED N.O. AUXILIARY (CAT. CA7-PA-H10).
 - 2) THE LOCAL START BUTTON IS USED TO ACTUATE THE N.O. AUXILIARY CONTACTS 23/24 ON THE CONTACTOR THEREBY ENERGIZING AND SEALING-IN THE CONTACTOR COIL.
 - 3) THE LOCAL STOP BUTTON IS USED TO SIMULTANEOUSLY ACTUATE THE "REST" AND "TEST" BUTTONS ON THE CEP7. THE "RESET" CLEARS A FAULT/TRIP AND THE "TEST" CHANGES THE STATE OF THE AUXILIARY CONTACTS 95/96 & 97/98. (LOCAL STOP MECHANISM DESIGNED FOR CEP7 ONLY)
 - 4) FOR SINGLE PHASE APPLICATIONS, ALWAYS WIRE CONTROL CIRCUIT TO LINE SIDE OF CONTACTOR WHEN COIL VOLTAGE IS 120V OR ABOVE.
 - 5) FOR NEUTRAL CONNECTION USE GROUNDING BRACKET SUPPLIED WITH THE ENCLOSURE.

REV	DESCRIPTION	DATE	CHK
1	REMOVED DRAWING TO SHOW SHEET 4 OF 4	7-6-01	GJC

DESIGNED JR	KWIKSTARTERS FULL VOLTAGE NON-REVERSING CAK/CBK 7-9...37 KWIKSTARTERS AUBURN AMATURE - MORSE MFG	sprecher+ schuh HOUSTON, TEXAS
DRAWN GJC		
APPROVED JR		
DATE 2-12-01		

DWG. NO.	SHEET 2 OF 4	SERIES
CAK7 WS-615-984		600