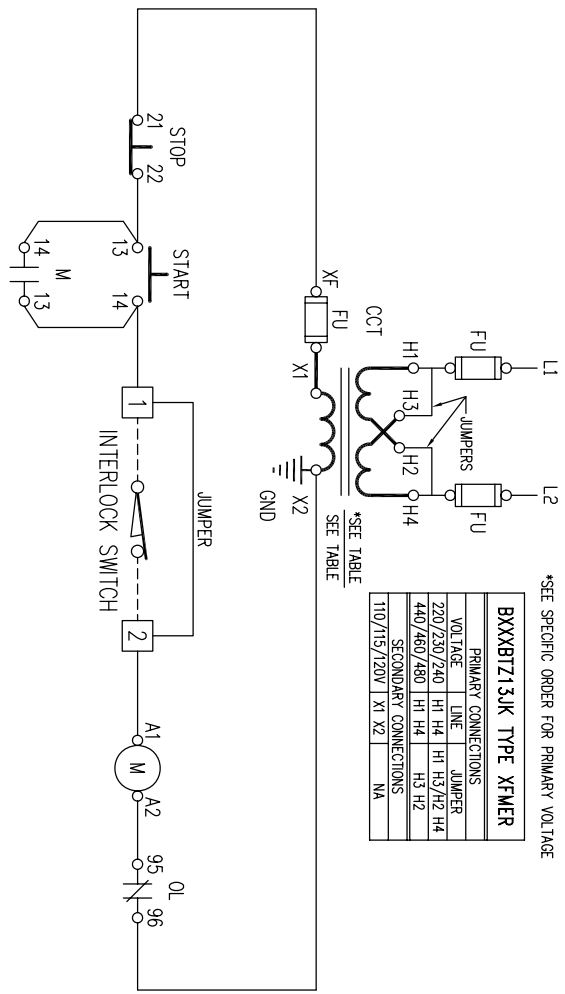


CUSTOMER TO SUPPLY PROPERLY PROTECTED
 INCOMING POWER AS PER LOCAL CODES.
 (USE 75°C COPPER WIRE ONLY)

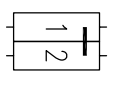
INCOMING POWER
 240V 1Ø 60HZ

*SEE SPECIFIC ORDER FOR PRIMARY VOLTAGE

BXXXXT13JK TYPE XFMR			
PRIMARY CONNECTIONS			
VOLTAGE	LINE	JUMPER	
220/230/240	H1 H4	H1 H3/H2 H4	
440/460/480	H1 H4	H3 H2	
SECONDARY CONNECTIONS			
110/115/120V	X1 X2	NA	



TERM. BLOCK DETAIL



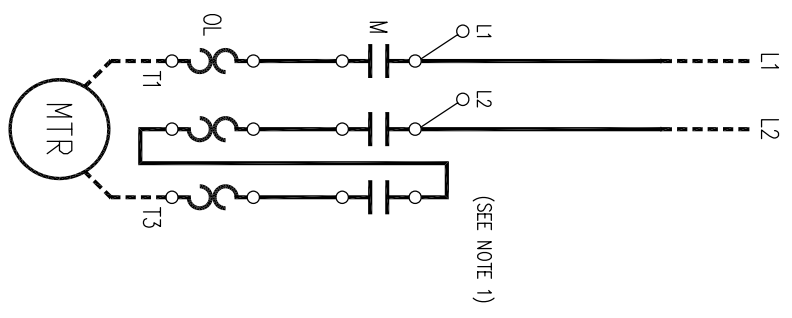
- NOTES:
- 1) SINGLE PHASE APPLICATIONS: 120VAC COILS AND ABOVE SHALL BE WIRED TO LINE SIDE L1 & L2.
 - 2) TB JUMPER TO BE REMOVED IF INTERLOCK SWITCH IS USED.
 - 3) X2 TERMINAL GROUNDED AS STANDARD, REMOVE IF NOT REQUIRED.

NOTICE

THIS DRAWING IS THE CONFIDENTIAL PROPERTY OF SPRECHER SCHUH INC. and, as such, is subject to recall at any time. The drawing may not be reproduced, used or disclosed for any purpose except as authorized by SPRECHER SCHUH INC.

DRAWN BY:		GS
CHECKED BY:		MB
APPROVED BY:		MH
DATE	08-18-10	

CUSTOM CONTROL PANEL
 FVNR W/ TB'S UNWIRED - START/STOP
 PART NUMBER - 1240C-P
 AUBURN ARMATURE - MORSE MFG



NON COMBINATION
 6.4FLA

DWG. NO. CCP WS-615-1999

sprecher+
schuh HOUSTON, TEXAS

SHEET 3 OF 3 SERIES 600