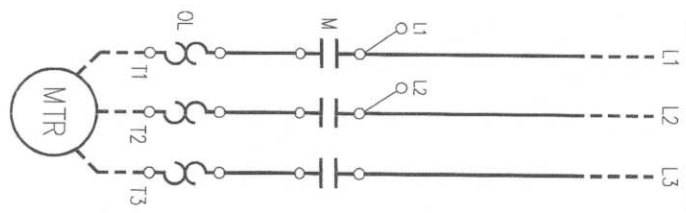
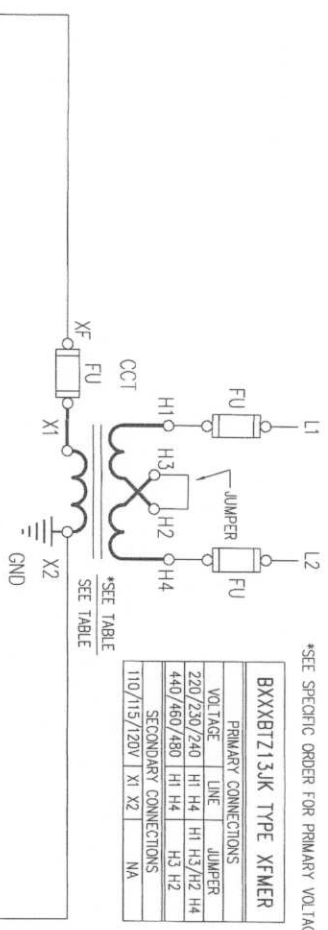


CUSTOMER TO SUPPLY PROPER BRANCH
CIRCUIT PROTECTION AS PER LOCAL CODES.
(USE 75°C COPPER WIRE ONLY)

INCOMING POWER
460V 3Ø 60HZ



460V



*SEE SPECIFIC ORDER FOR PRIMARY VOLTAGE

BXXXX713JK TYPE XFMR	
PRIMARY CONNECTIONS	
VOLTAGE	JUMPER
220/230/240	H1 H4 H1 H3/H2 H4
440/460/480	H1 H4 H3 H2
SECONDARY CONNECTIONS	
110/115/120V	X1 X2 NA

*SEE TABLE

TERM. BLOCK DETAIL



- NOTES:
- 1) TB JUMPER TO BE REMOVED IF INTERLOCK SWITCH IS USED.
 - 2) X2 TERMINAL GROUNDED AS STANDARD, REMOVE IF NOT REQUIRED.

NOTICE

THIS DRAWING IS THE CONFIDENTIAL PROPERTY OF SPRECHER-SCHUH, INC. and, as such, is subject to recall at any time. The drawing may not be reproduced, used or disclosed for any purpose except as authorized by SPRECHER-SCHUH, INC.

DRAWN BY: MB
CHECKED BY: MB
APPROVED BY: MH
DATE

CUSTOM CONTROL PANEL
FVNR W/ TB'S FOR INTERLOCK SWITCH
PART NUMBER - 1248C-P
AUBURN ARMATURE - MORSE MFG

sprecher+
schuh HOUSTON,
DWG. NO. SHEET 3 OF 3
CCP WS-615-984