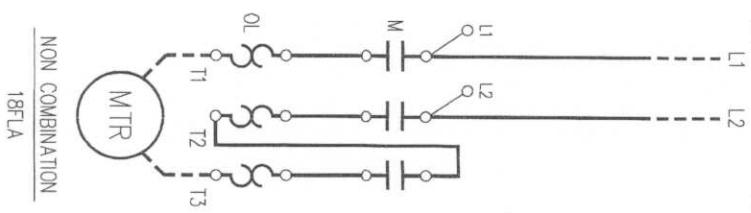
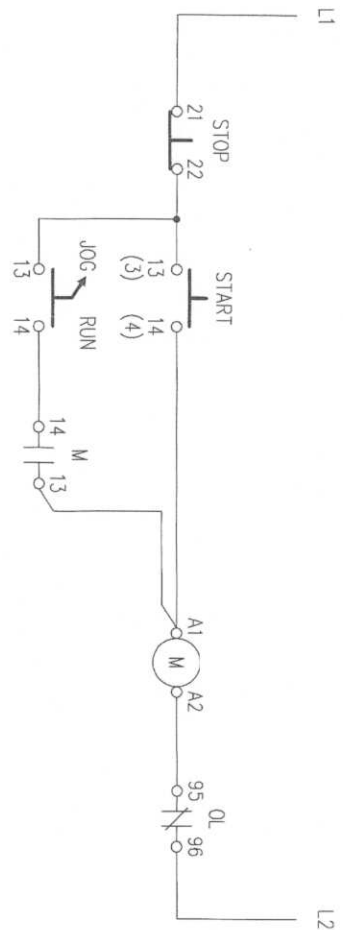


CUSTOMER TO SUPPLY PROPER BRANCH
CIRCUIT PROTECTION AS PER LOCAL CODES.
(USE 75°C COPPER WIRE ONLY)

INCOMING POWER
120V 1Ø 60HZ



1	CHANGED TO SINGLE PHASE IN ACCORDANCE WITH SHEET 1	07-15-2011	WEH
-	-	-	-
-	-	-	-
-	-	-	-

NOTICE

THIS DRAWING IS THE CONFIDENTIAL PROPERTY OF SPRECHER-SCHUH, INC. and, as such, is subject to recall at any time. The drawing may not be reproduced, used or disclosed for any purpose except as authorized by SPRECHER-SCHUH, INC.

DRAWN BY:	MB
CHECKED BY:	MH
APPROVED BY:	PD
DATE	

CUSTOM CONTROL PANEL
FULL VOLTAGE NON-REVERSING
PART NUMBER - 1249-P
AUBURN ARMATURE - MORSE MFG

sprecher+
schuh HOUSTON,
DWG. NO. CCP WS-615-984
SHEET 3 OF 3