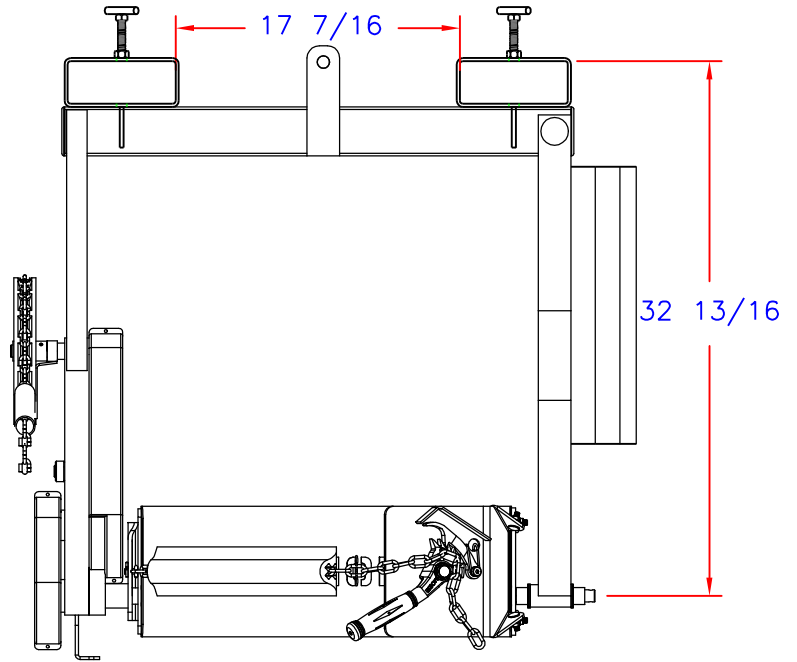
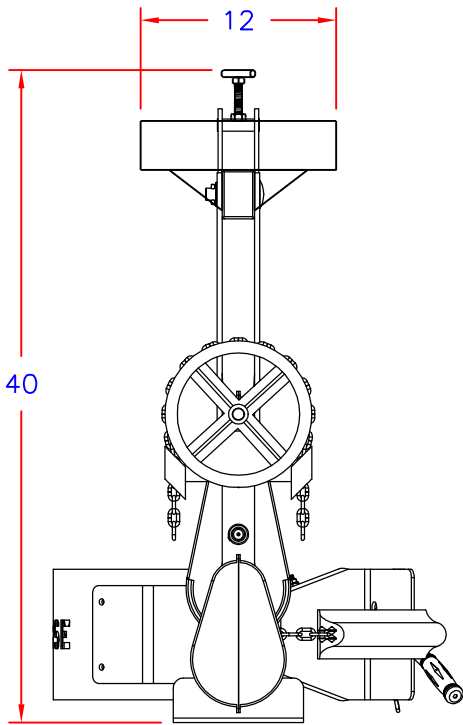
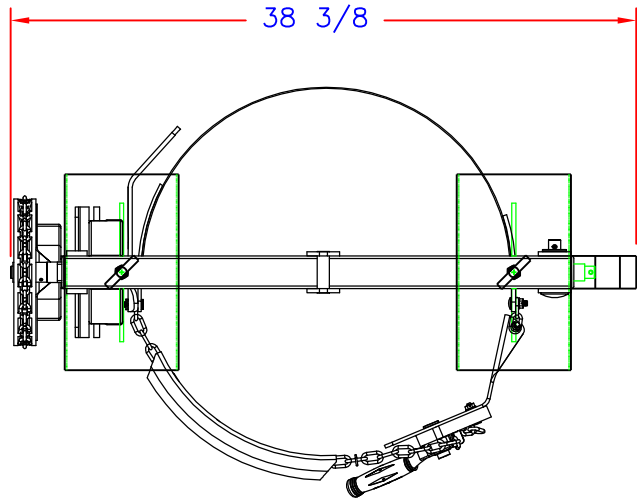


- LIKE 185A-HD EXCEPT W/ SINGLE LIFTING EYE, COUNTERWEIGHT & FORK POCKETS
- REQUIRES 17-1/2" BETWEEN FORKS
- FORK POCKET OPENING IS 2.5" HIGH X 6.5" WIDE
- 1500LB CAPACITY



			<b>MORSE</b> 727 WEST MANLIUS ST. P.O. BOX 518 MANUFACTURING CO.,INC. EAST SYRACUSE, NY 13057
REVISION	EFFECTIVE DATE	INITIALS	
TITLE: SPL 185A-HD, FORK POCKETS		UNLESS OTHERWISE SPECIFIED	DRAWN BY: PM
PART #: 185S-HD-FP		FRACTIONS ± 1/32 .XXX ± .005	DATE: 1/24/12
PART FOR:		ANGLES ± 1° .XX ± .02	PAGE: 1
		* = STOCK SIZE	