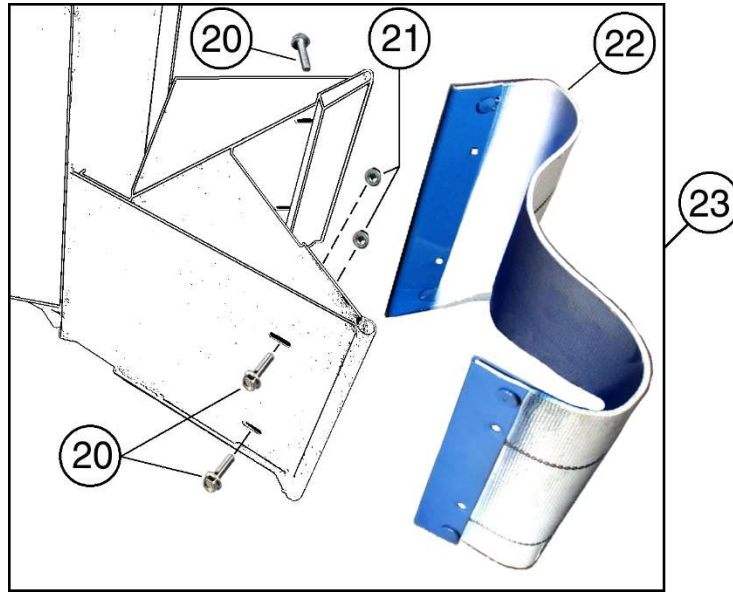


Belted Backrest Kit for customer to install on *MORSPEED*™ 1500 drum handler

- 29" x 12" (73.7 x 30.5 cm) Polyester Belt
- Helps protect drum sidewall
- Order TWO Belted Backrest Kits for double drum handlers (model 288-2 or model 288-2-2H). One for each drum position.



ITEM	QTY.	PART NUMBER	DESCRIPTION
20	4	1635-P	5/16 - 18 X 1-1/4 WHIZ SCREW
21	4	1634-P	5/16 - 18 WHIZ - LOCK NUT
22	1	2522-P	BELT ASM, MORSPEED BACKREST
23	1	2523-P	BELT KIT, MORSPEED BACKREST