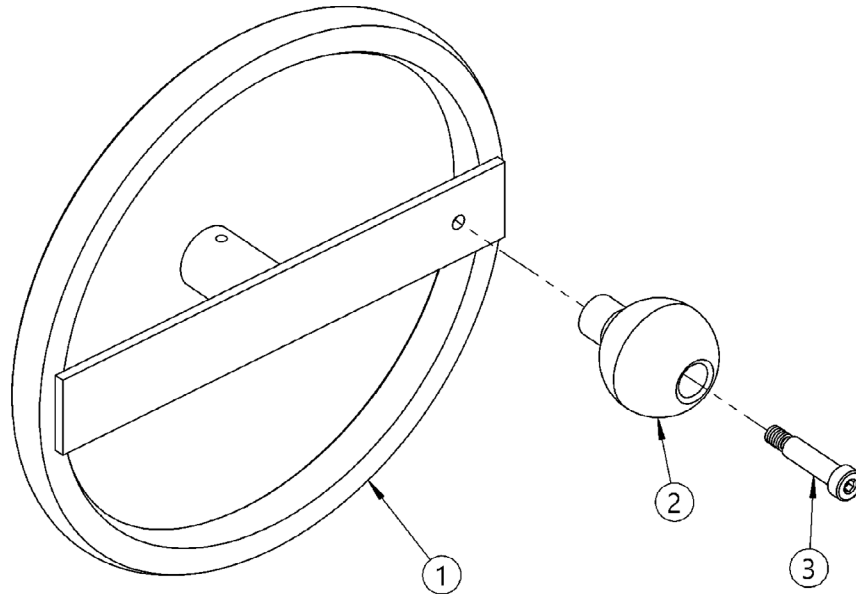


Part # 4385A-P 10" Diameter Hand Wheel with 3/4" Bore
 for Customer to Install on EXISTING model 185A-GR or 285A-GR



ITEM NO.	PART NUMBER	DESCRIPTION	QTY.
1	4385-P	HANDWHEEL, 10" 3/4" B NO KNOB	1
2	6506-P	KNOB, HANDWHEEL, ALUM	1
3	3886-P	SCREW 5/16-18 X 1-1/4 SHOULDER	1

Factory Installed 10" Diameter Hand Wheel Options on NEW Drum Handler

- Option X03-185GR **FACTORY INSTALLED** on NEW model 185A-GR
- Option X03-285GR **FACTORY INSTALLED** on NEW model 285A-GR

