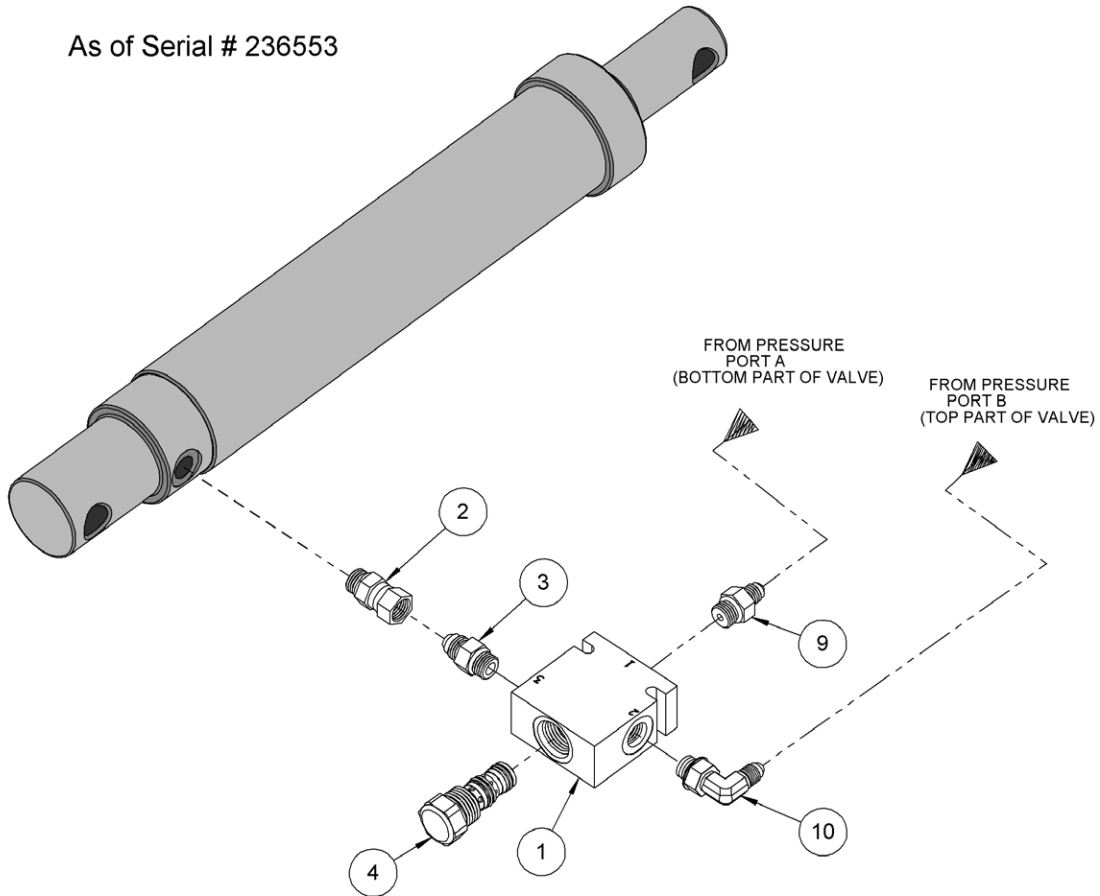


Kit to upgrade P. O. check valve on Morse 310 Series Tilt-To-Load Drum Tumblers
with Serial Number 000000 to 236552

(See installation instructions on page 2)



ITEM	QTY.	PART #	DESCRIPTION
1	1	4576B-P	BODY, PO CHECK, 310
2	1	4594-P	HYD FIT, SAE STRAIGHT SWIVEL
3	1	4593-P	HYD FIT, SAE STRAIGHT
4	1	4576C-P	CART, PO CHECK, 310
9	1	3612-P	HYD FIT, SAE ADAPTER
10	1	3610-P	HYD FIT, MALE ELBOW, SAE
1, 2, 3, 4, 9 & 10	1	4576KIT-P	KIT, CONVERT 3131-P TO 4576-P

Instructions to upgrade P. O. check valve on Morse 310 Series Tilt-To-Load Drum Tumblers with Serial Number 000000 to 236552

1. Ensure that the drum holder is lowered to the floor and the hydraulic tilt cylinder (part # 4418-P) has no force on it.
2. Remove hydraulic hose #1 at the swivel fitting (figure 1).
3. Remove hydraulic hose #2 at the swivel fitting (figure 1).
4. Rotate the 339-P and 3131-P (figure 1) assembly about 90 degrees up to allow clearance to remove the 339-P. This will not be used.
5. Remove the 3131-P. This will not be used.
6. Remove 3210-P (figure 1) adaptor from hydraulic cylinder port. This will not be used.

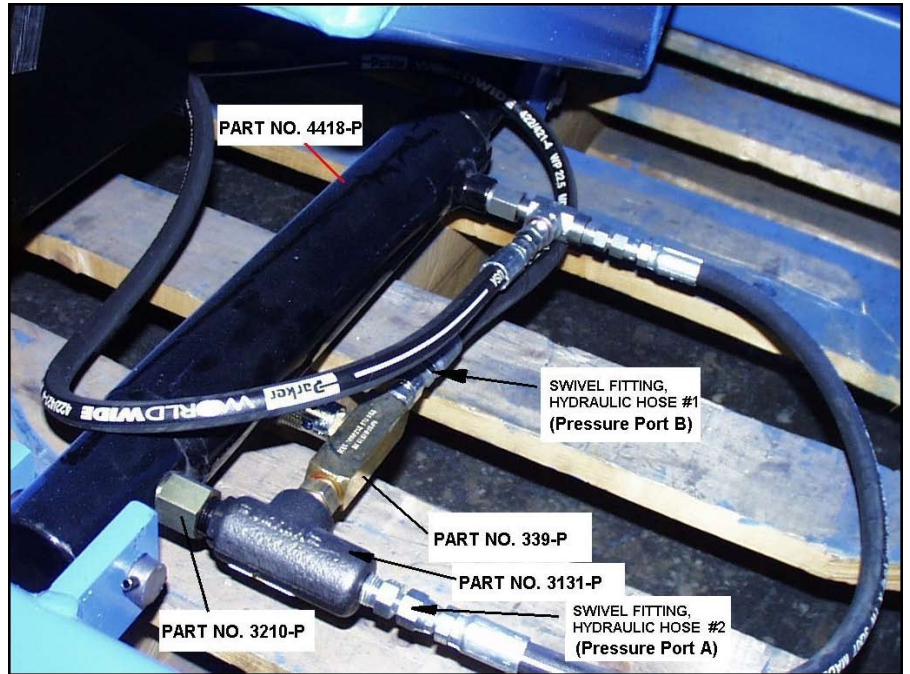


Figure 1

7. Install the upgrade hydraulics, as shown in figure 2, using the Morse part # 4576KIT-P Kit to Convert Check Valve 3131-P to Check Valve 4576-P.

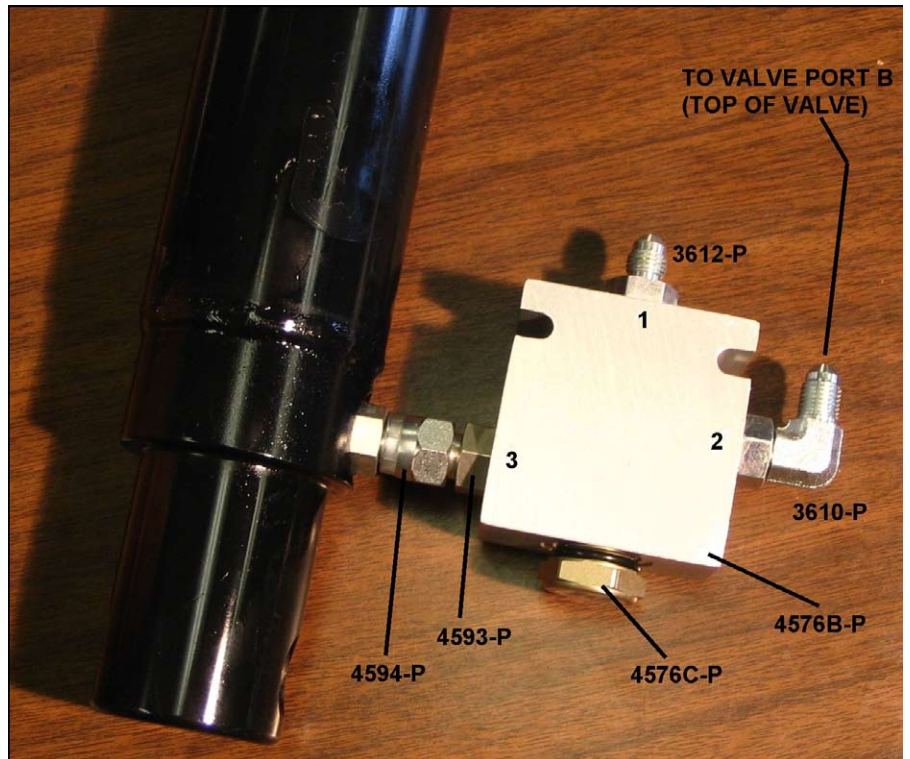


Figure 2