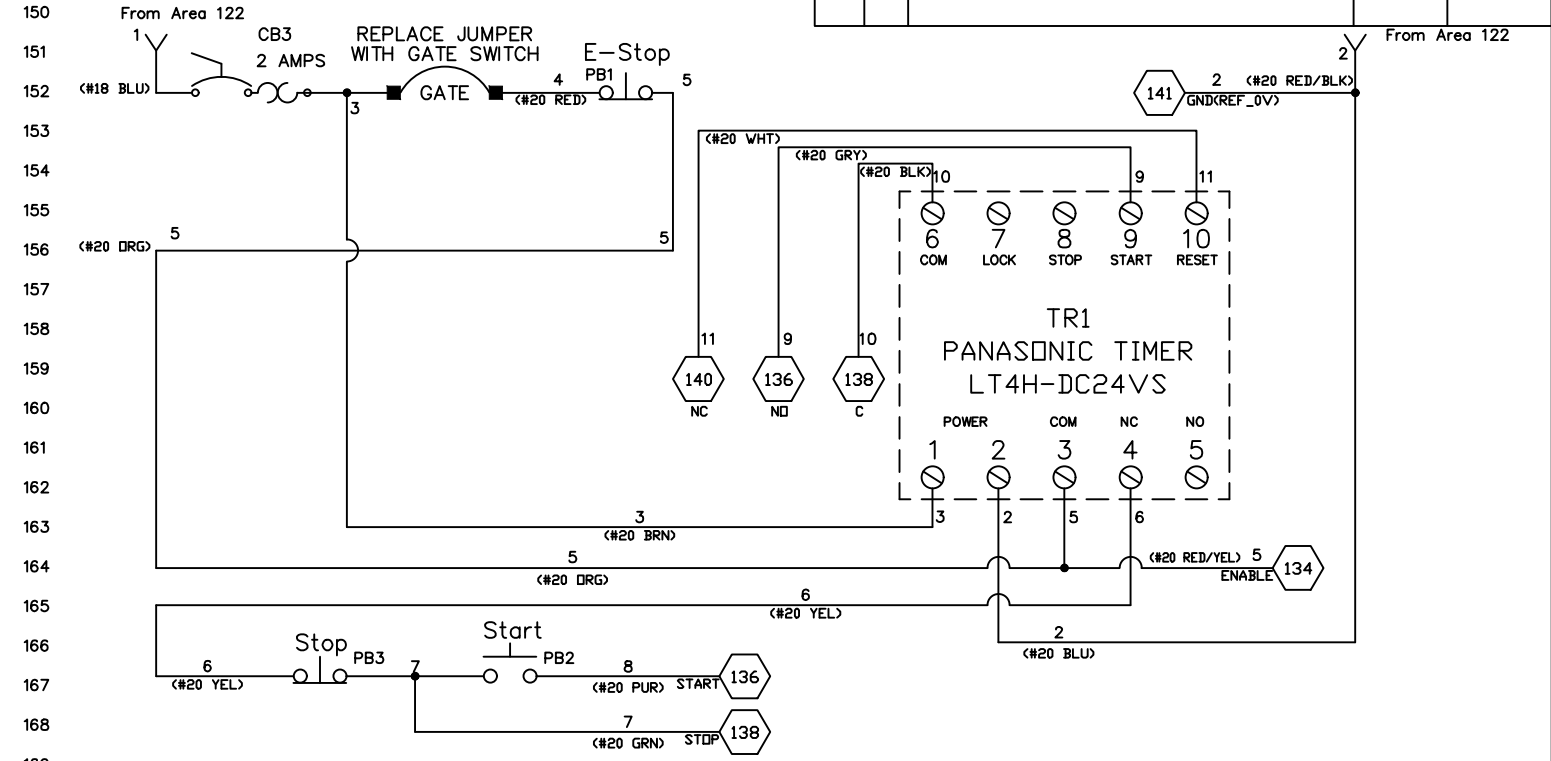
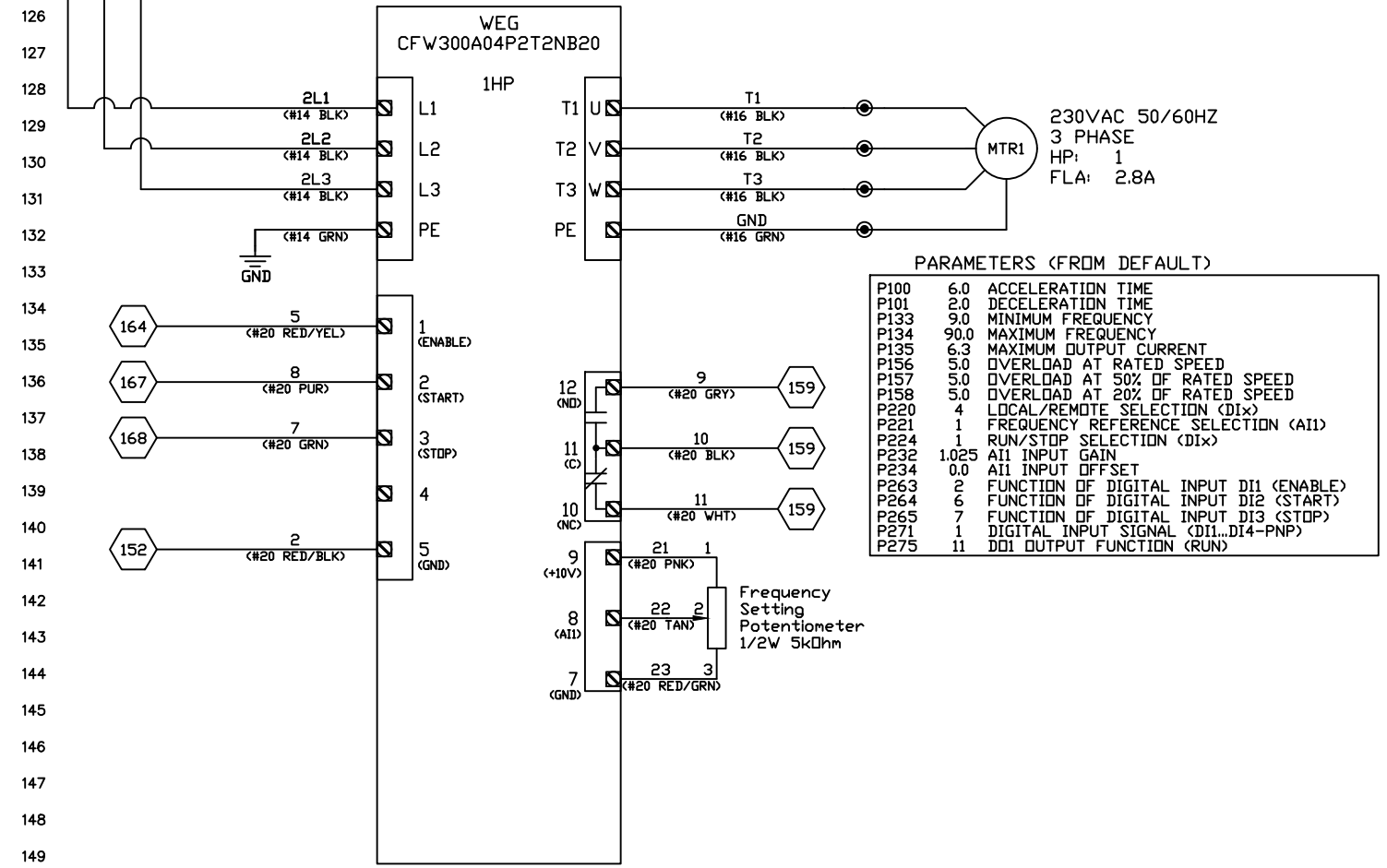
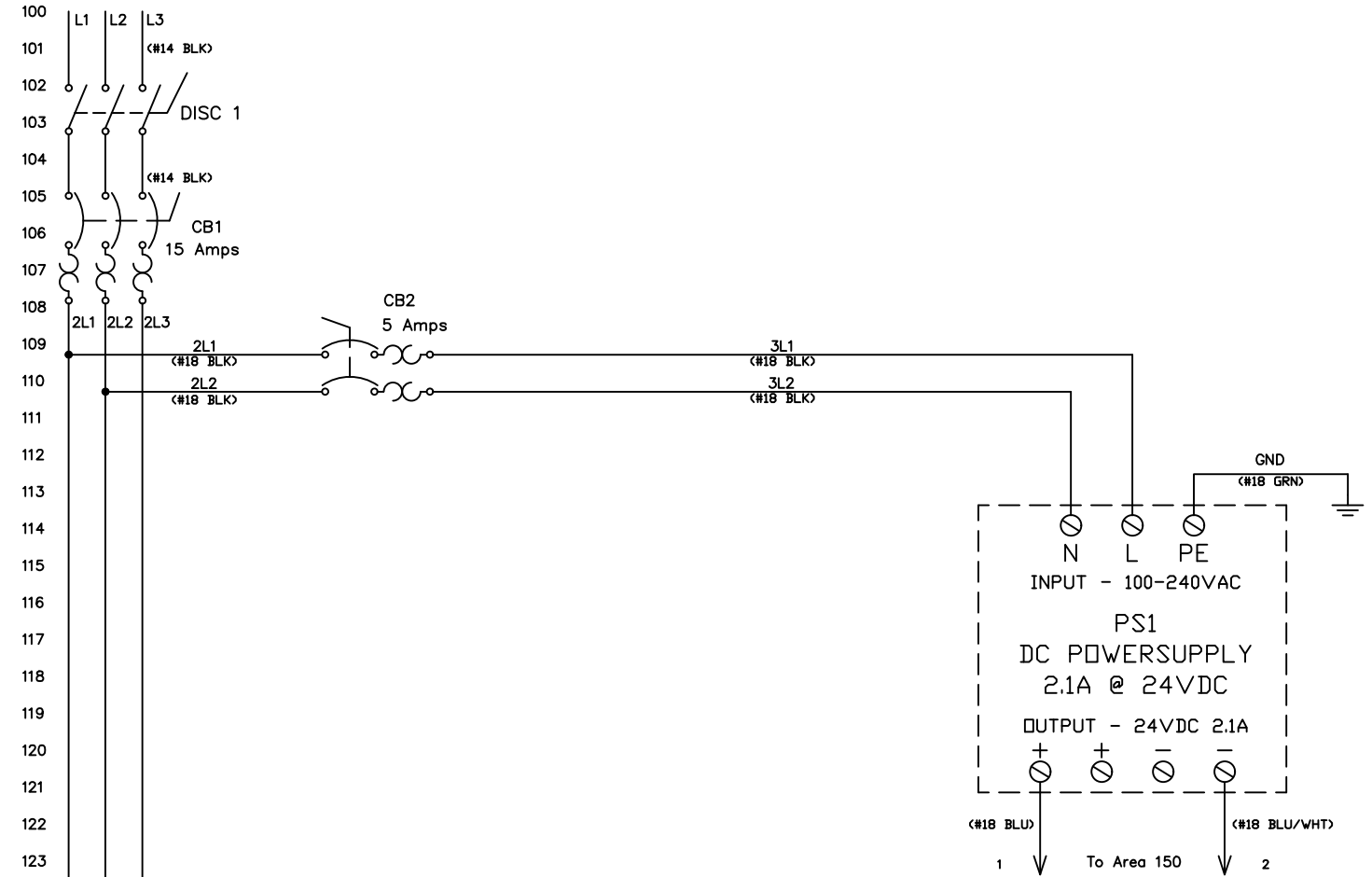


MAINS POWER  
230 VAC 3 Phase  
15 AMP



*MANUFACTURER	*PART NUMBER	DESCRIPTION	QUANTITY
Eurobex (EXM)	5412 ES161608	Enclosure, 16" x 16" x 8"	1
Emerson-Sola	SVL 2-24-100	Power Supply, Input 100-240VAC, Output 24VDC @2.1A	1
Panasonic	LT4H-DC24VS	Panasonic Digital Timer	1
WEG	CFW300A04P2T2NB20	WEG CFW300 VFD, 1HP @ 230VAC 3-PHASE	1
Sprecher+Schuh	D7P-POT5A	Potentiometer, 5K	1
WEG	CSW-BS5-WH	Pushbutton, Extended Black	1
WEG	CSW-BF2-WH	Pushbutton, Flush Green	1
WEG	CSW-BESG-WH	E-Stop Operator, Twist-To-Release, 42mm	1
WEG	AF3F	Mounting Flange	3
WEG	BCM01F-CSW	Contact Block, NC, Self-Monitoring	1
WEG	BC01F-CSW	Contact Block, NC	1
WEG	BC10F-CSW	Contact Block, NO	1
WEG	MSW 40 B-3 H	Base Mounted 3 Pole Switch w/Handle & Shaft	1
WEG	MSW HS 185-40	Metal Operating Shaft	1
Sprecher+Schuh	D7-15YSE112	E-Stop Inscription Ring	1
Sprecher+Schuh	L9-15/3/D	Circuit Breaker, 15Amp, D-Curve	1
Sprecher+Schuh	L8-2/2/B	Circuit Breaker, 2Amp, B-Curve	1
Sprecher+Schuh	L8-2/1/B	Circuit Breaker, 2Amp, B-Curve	1
Iboco	OMEGA 3FAL1	DIN Rail, 35mm x 1meter	1
Iboco	T1-0510G	WIRE DUCT, 0.50" x 1.0" x 2M	1
Sprecher+Schuh	V7-WG4	Ground Terminal	2
Sprecher+Schuh	V7-W4	Terminal	11
Sprecher+Schuh	V7-EA35	End Anchor	11
Sprecher+Schuh	V7-EB3	End Barrier	2
Sprecher+Schuh	V7-PP3	Partition	1
Sprecher+Schuh	V7-SM6X12	Marker Card	1
Sprecher+Schuh	V7-CJ6-2	Center Jumper	1
McMaster-Carr	5891T111	Electrical Hazard Warning Label, 1-3/4"W x 2-1/2"H	1
		Legend Plate, 0.75" x 0.75", "0"	1
		Legend Plate, 0.75" x 0.75", "I"	1
		Legend Plate, 0.75" x 2.00", "MOTOR SPEED CONTROL"	1

TIMER DIP SETTINGS

1	OFF
2	ON
3	ON
4	OFF
5	ON
6	OFF
7	OFF
8	ON

ZONE	REV	DESCRIPTION	DATE	APPROVED
152	01	E-Stop Circuit Revision	11/15/23	PCW
NA	02	BOM Update	09/19/24	PCW

**AACI**  
APPLIED AUTOMATION CONTROLS INC.

1240 WOLF STREET, SYRACUSE NY 13208  
PHONE 315-453-5670 FAX 315-453-5681

DRAWN BY	PCW
CHKD BY	PCW
DATE DRAWN	06/16/22
DATE CHKD	09/19/24
TITLE	MORSE
DWG NO.	AACI061622A
SHEET	1 of 1
REV	02

THIS MATERIAL IS THE EXCLUSIVE PROPERTY OF AACI. ANY REPRODUCTION OR USE OF THIS MATERIAL WITHOUT THE WRITTEN CONSENT OF AACI IS STRICTLY PROHIBITED. THIS MATERIAL AND INFORMATION IS UNCLASSIFIED AND IS NOT SUBJECT TO EXPORT CONTROL. IT IS THE PROPERTY OF AACI AND IS LOANED TO YOU. IT IS TO BE USED ONLY FOR THE PROJECT AND NOT TO BE REPRODUCED OR TRANSMITTED IN ANY FORM OR BY ANY MEANS WITHOUT THE PRIOR WRITTEN CONSENT OF AACI.