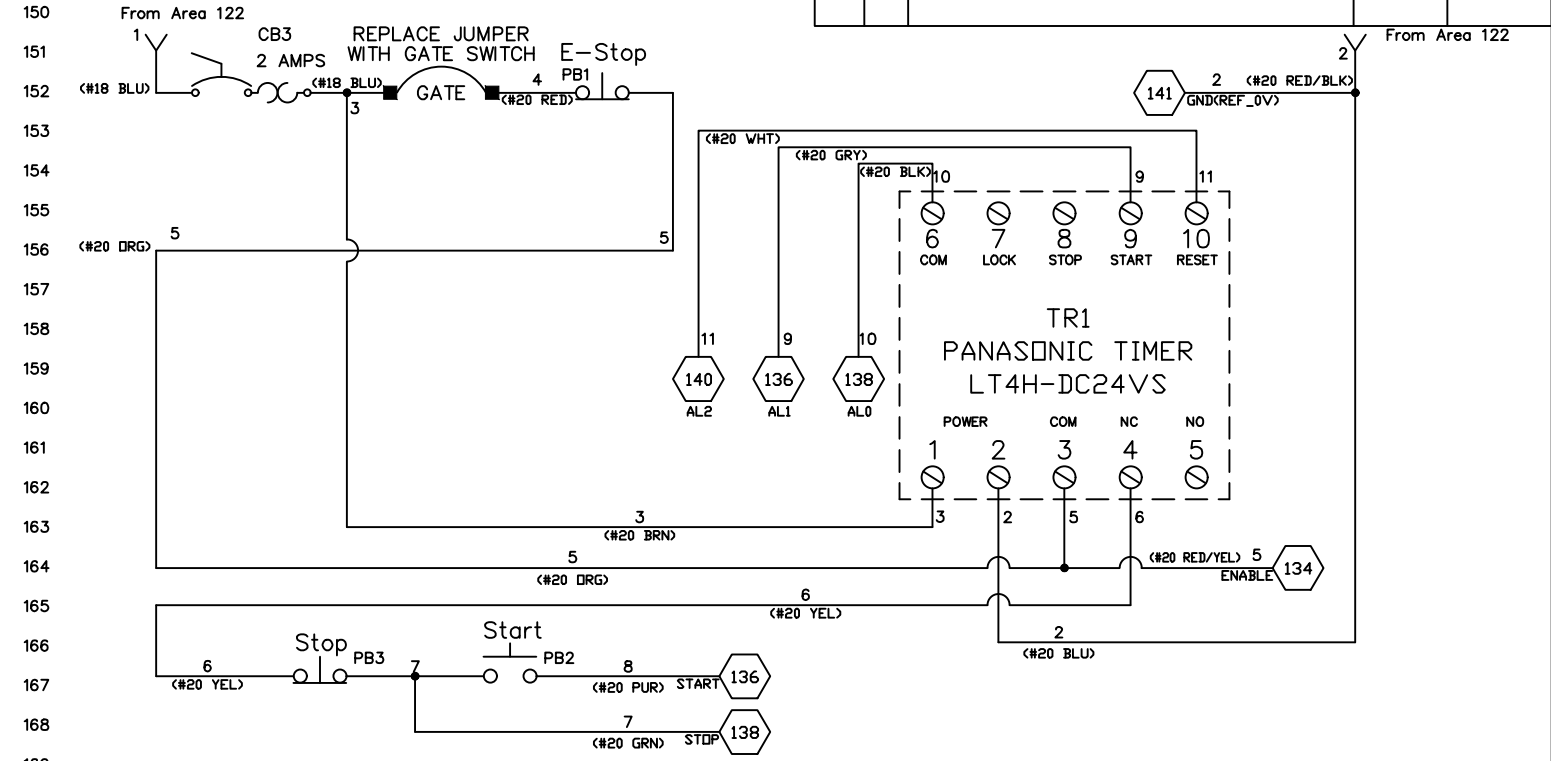
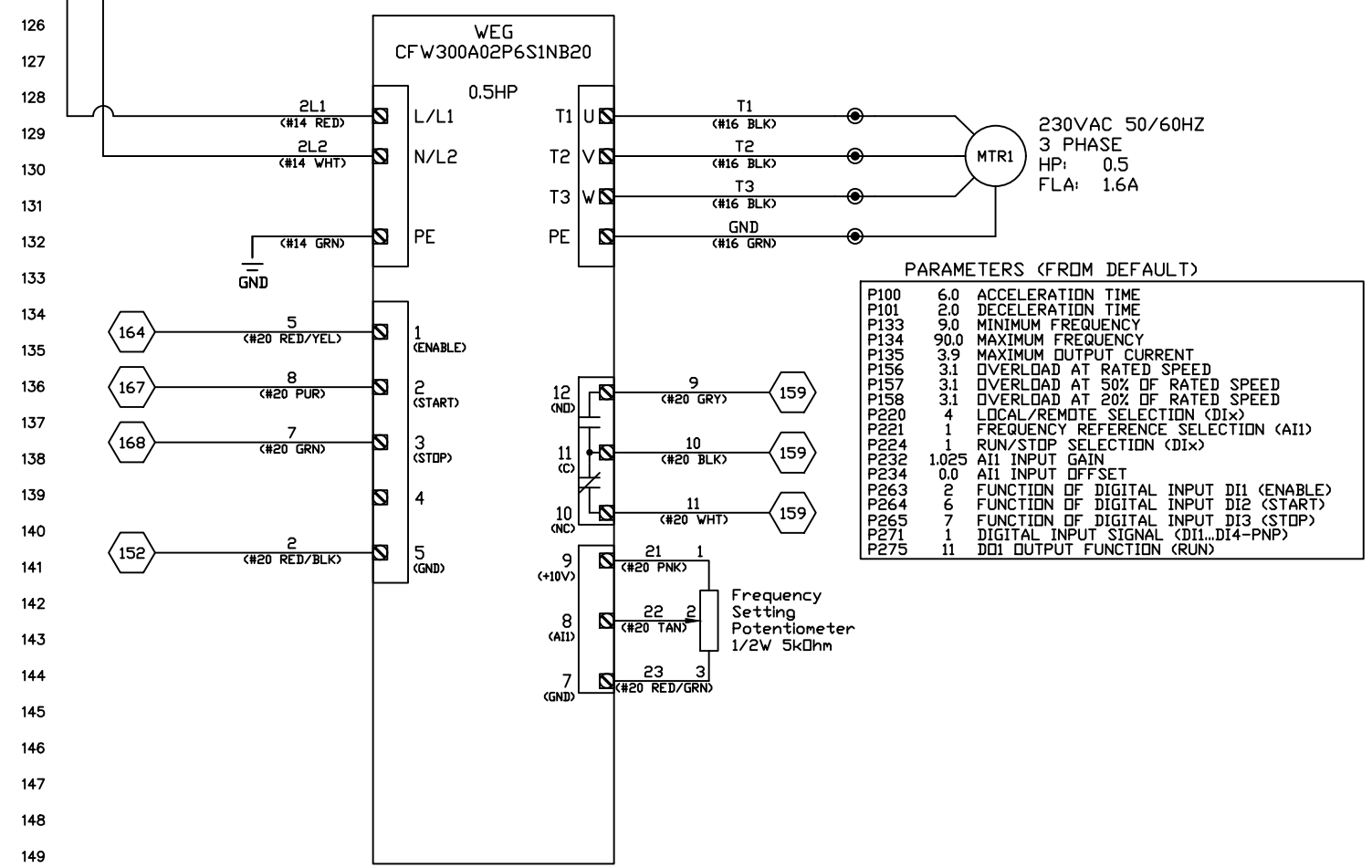
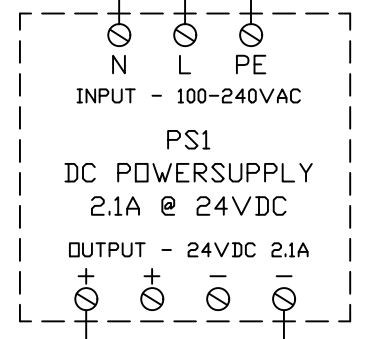
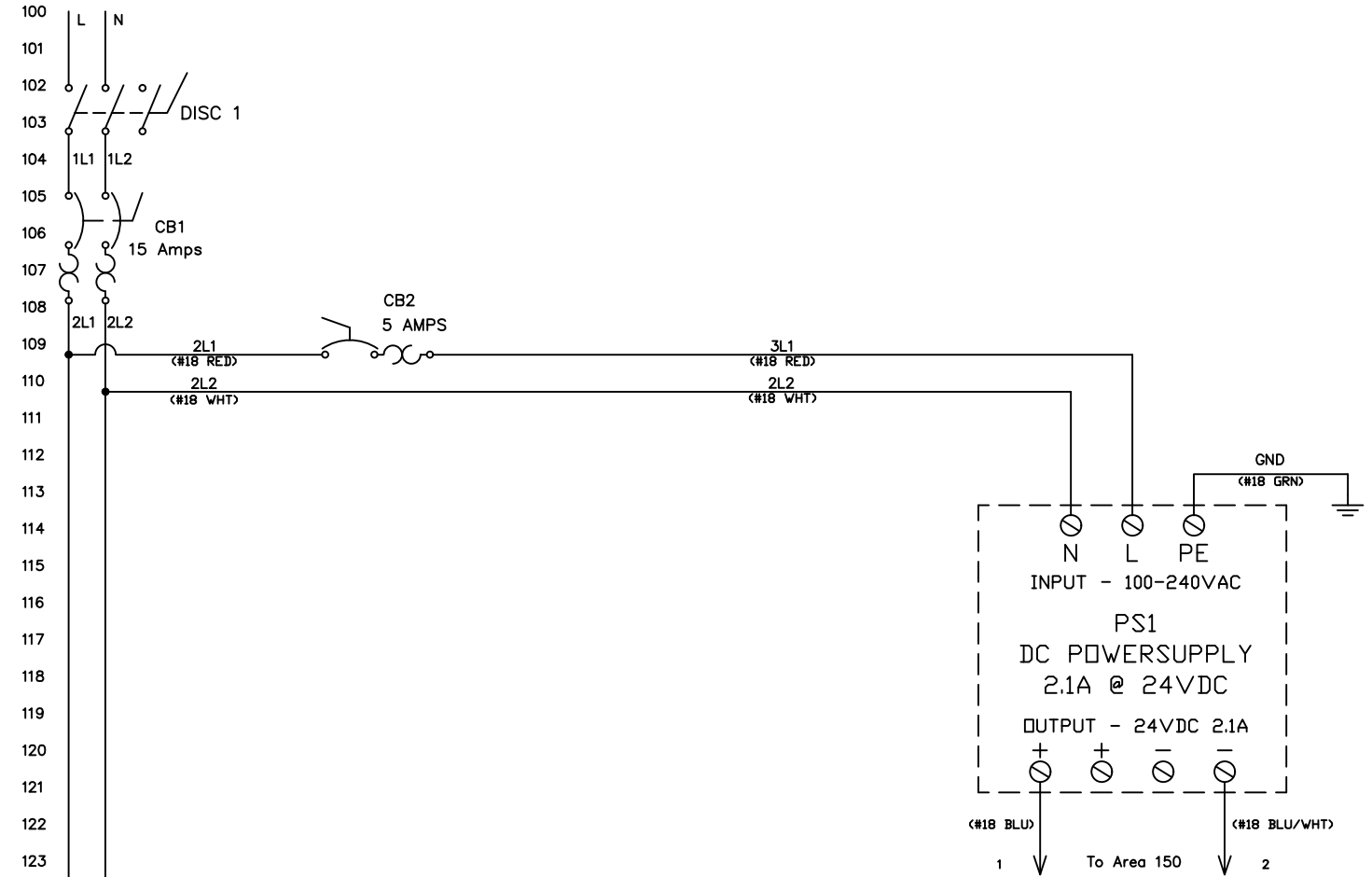
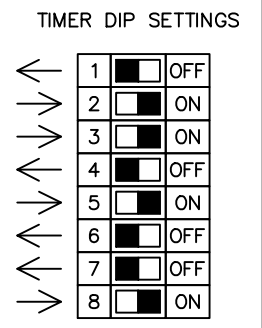


MAINS POWER
115 VAC 1 Phase
15 AMP



*MANUFACTURER	*PART NUMBER	DESCRIPTION	QUANTITY
Eurobex (EXM)	5412 ES161608	Enclosure, 16" x 16" x 8"	1
Emerson-Sola	SVL 2-24-100	Power Supply, Input 100-240VAC, Output 24VDC @2.1A	1
Panasonic	LT4H-DC24VS	Panasonic Digital Timer	1
WEG	CFW300A02P6S1NB20	WEG CFW300 VFD, 0.5HP @ 115VAC 1-PHASE	1
Sprecher+Schuh	D7P-POT5A	Potentiometer, 5K	1
WEG	CSW-BS5-WH	Pushbutton, Extended Black	1
WEG	CSW-BF2-WH	Pushbutton, Flush Green	1
WEG	CSW-BESG-WH	E-Stop Operator, Twist-To-Release, 42mm	1
WEG	AF3F	Mounting Flange	3
WEG	BCM01F-CSW	Contact Block, NC, Self-Monitoring	1
WEG	BC01F-CSW	Contact Block, NC	1
WEG	BC10F-CSW	Contact Block, NO	1
WEG	MSW 40 B-3 H	Base Mounted 3 Pole Switch w/Handle	1
WEG	MSW HS 185-40	Metal Operating Shaft	1
Sprecher+Schuh	D7-15YSE112	E-Stop Inscription Ring	1
Sprecher+Schuh	L9-15/2/D	Circuit Breaker, 15Amp, D-Curve	1
Sprecher+Schuh	L8-5/1/B	Circuit Breaker, 5Amp, B-Curve	1
Sprecher+Schuh	L8-2/1/B	Circuit Breaker, 2Amp, B-Curve	1
Iboco	OMEGA 3FAL1	DIN Rail, 35mm x 1meter	1
Iboco	T1-0510G	WIRE DUCT, 0.50" x 1.0" x 2M	1
Sprecher+Schuh	V7-WG4	Ground Terminal	2
Sprecher+Schuh	V7-W4	Terminal	11
Sprecher+Schuh	V7-EA35	End Anchor	11
Sprecher+Schuh	V7-EB3	End Barrier	3
Sprecher+Schuh	V7-PP3	Partition	1
Sprecher+Schuh	V7-SM6X12	Marker Card	1
Sprecher+Schuh	V7-CJ6-2	Center Jumper	1
McMaster-Carr	5891T111	Electrical Hazard Warning Label, 1-3/4"W x 2-1/2"H	1
		Legend Plate, 0.75" x 0.75", "0/STOP"	1
		Legend Plate, 0.75" x 0.75", " /START"	1
		Legend Plate, 0.75" x 2.00", "MOTOR SPEED CONTROL"	1



*FUNCTIONALLY EQUIVALENT COMPONENTS MAY BE SUBSTITUTED

ZONE	REV	DESCRIPTION	DATE	APPROVED
152	01	E-STOP CIRCUIT REVISION, BDM CHANGE	07/18/24	PCW

DRAWN BY
PCW

CHKD BY
PCW

DATE DRAWN
04/21/22

DATE CHKD
07/18/24

AACI

APPLIED AUTOMATION CONTROLS INC.

1240 WOLF STREET, SYRACUSE NY 13208
PHONE 315-453-5670 FAX 315-453-5681

TITLE
MORSE

DWG NO.
5894-P VFD PANEL (ELECTRICAL)

AACI042122A

SHEET
1 of 1

REV
01

THIS MATERIAL IS THE EXCLUSIVE PROPERTY OF AACI. ANY REPRODUCTION OR USE OF THIS MATERIAL WITHOUT THE WRITTEN CONSENT OF AACI IS STRICTLY PROHIBITED. THIS MATERIAL AND INFORMATION IS NOT TO BE USED FOR ANY OTHER PURPOSES WITHOUT THE WRITTEN CONSENT OF AACI.