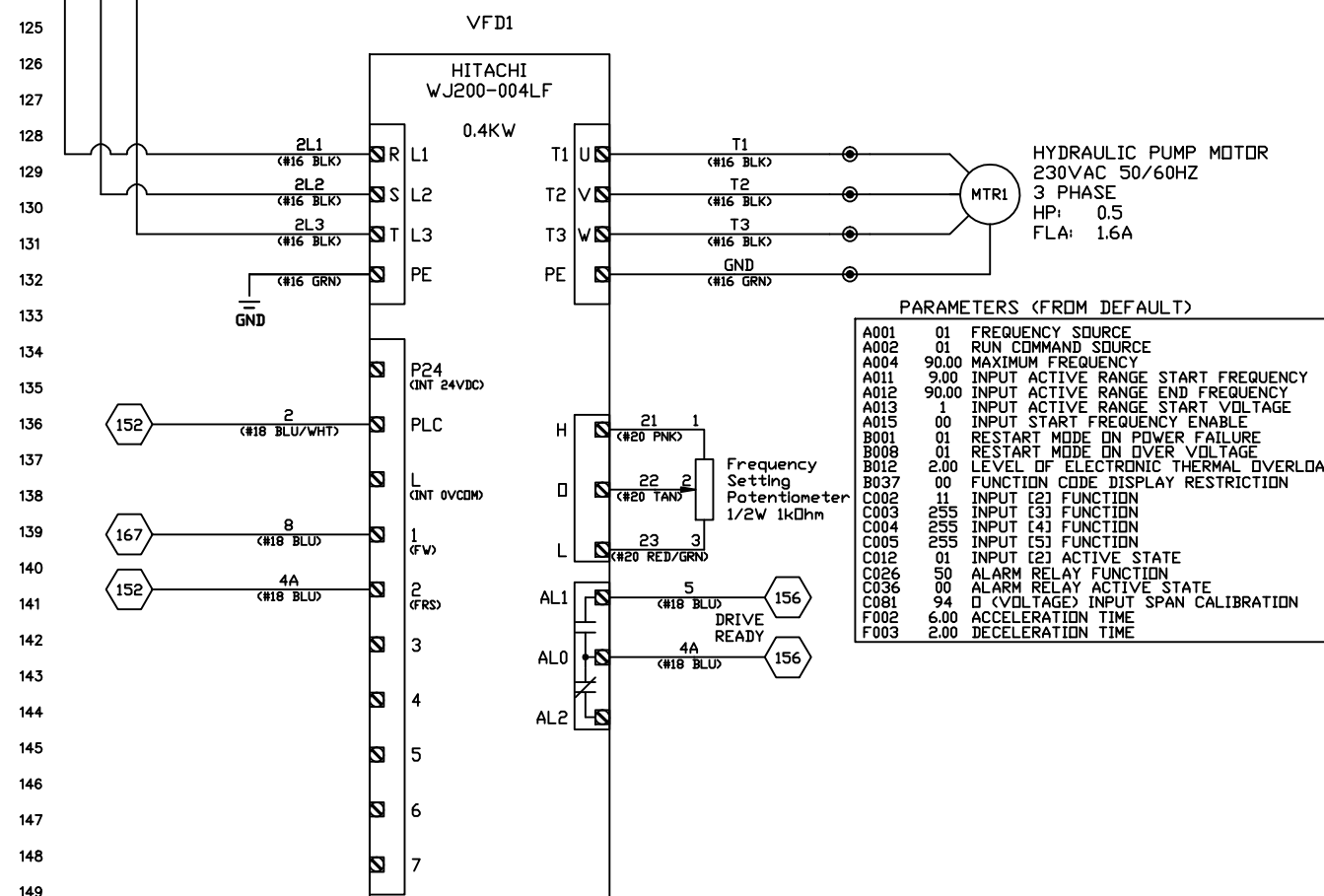
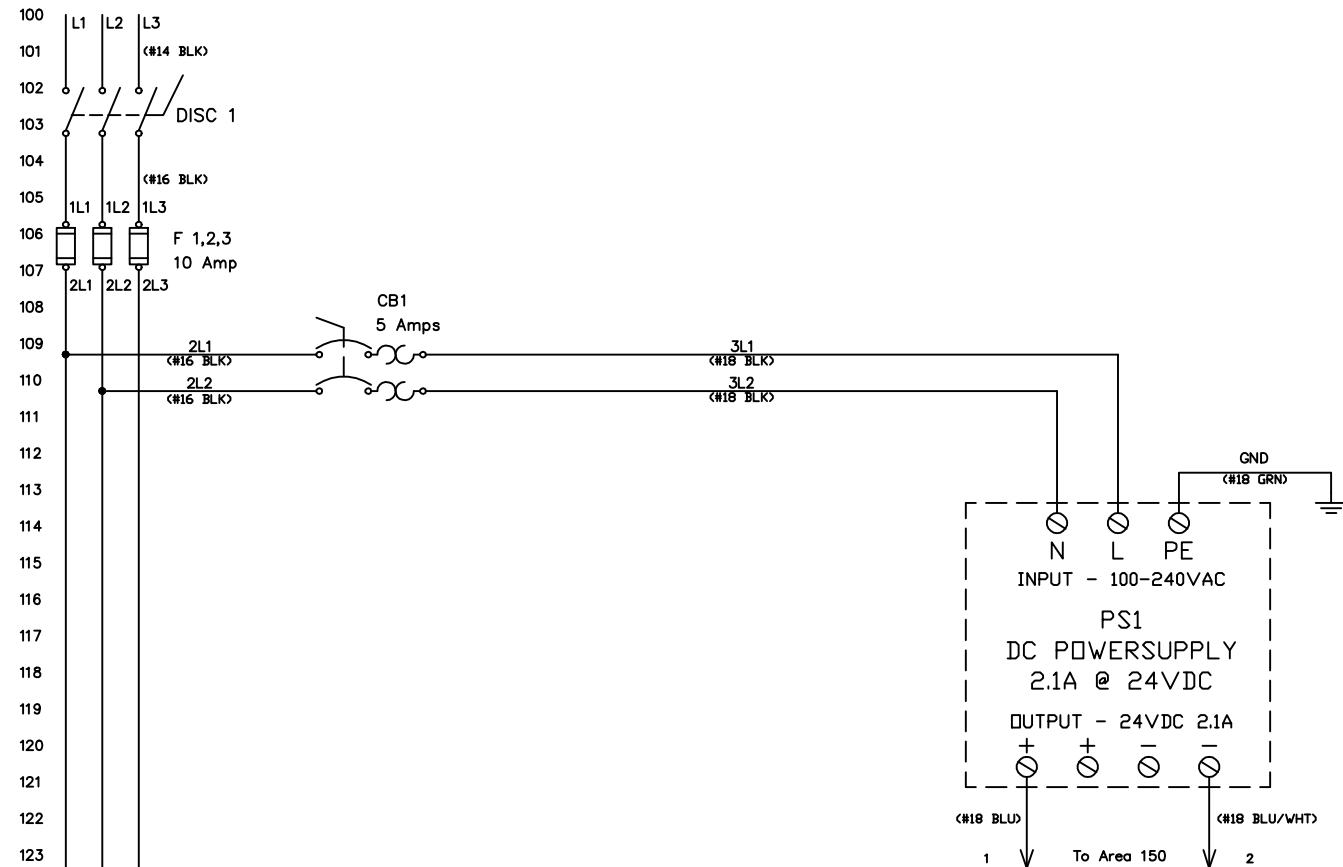
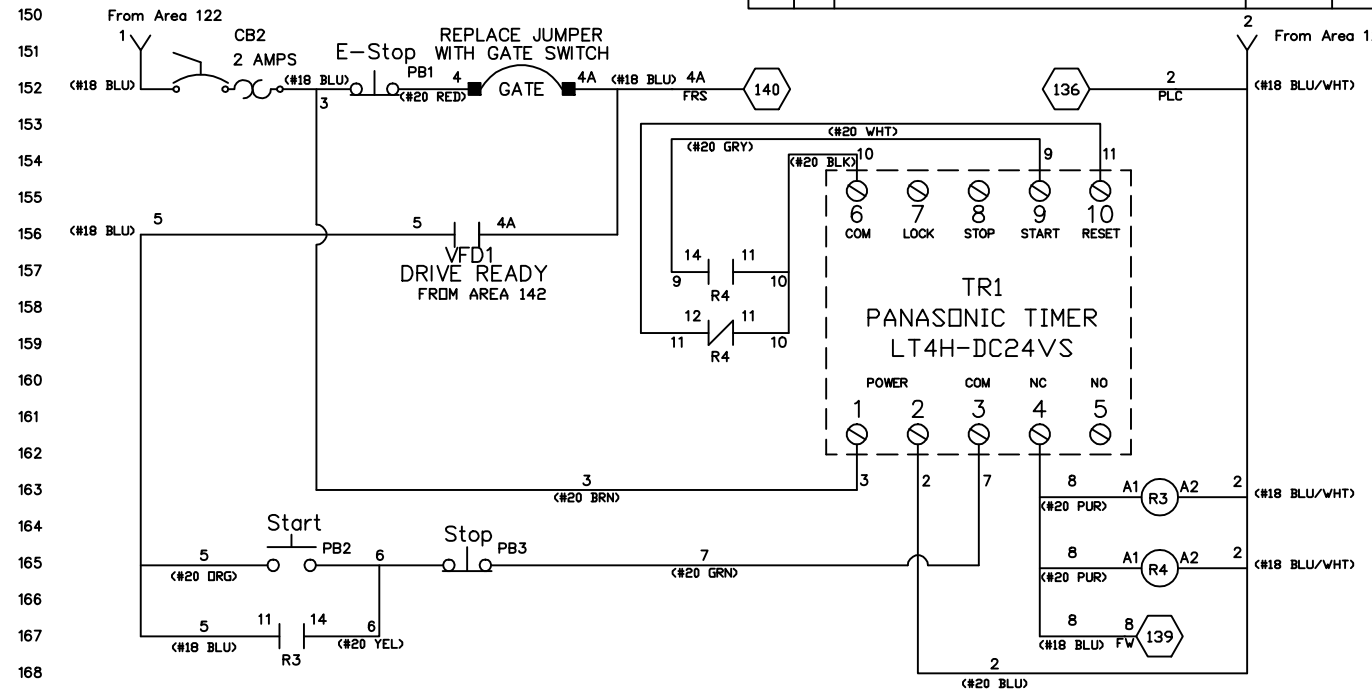


MAINS POWER  
230 VAC 3 Phase  
15 AMP



DATE	REV	DESCRIPTION	DATE	APPROVED
N/A	01	BOM CHANGE, CB2 REPLACES F4	04/11/17	PCW



MANUFACTURER	PART NUMBER	DESCRIPTION	QUANTITY
Eurobex (EXM)	5412 ES161608	Enclosure, 16" x 16" x 8"	1
Emerson-Sola	SVL 2-24-100	Power Supply, Input 100-240VAC, Output 24VDC @2.1A	1
Panasonic	LT4H-DC24VS	Panasonic Digital Timer	1
Sprecher+Schuh	PIR6W-1P-24VDC	Relay	2
Hitachi	WJ200-004LF	Hitachi WJ200 VFD, 0.4KW @ 230VAC 3-PHASE	1
Sprecher+Schuh	D7P-POT3A	Potentiometer, 1K	1
Sprecher+Schuh	D7P-E202PX01	Pushbutton, Extended Black "STOP", 1NC	1
Sprecher+Schuh	D7P-F301PX10	Pushbutton, Flush Green "START", 1NO	1
Sprecher+Schuh	D7P-MT44	E-Stop Operator, Twist-To-Release, 40mm	1
Sprecher+Schuh	D7-ALP	Latch, Plastic	1
Sprecher+Schuh	D7-X01S	Guardian Block, NC	1
Sprecher+Schuh	D7-15YSE112	E-Stop Inscription Ring	1
Sprecher+Schuh	LA7-16-1753	Base Mounted 3 Pole Switch	1
Sprecher+Schuh	LFS2-N-6-175	Switch Handle Assembly	1
Sprecher+Schuh	LA2-G3393	Metal Operating Shaft	1
Sprecher+Schuh	31297	Fuse Holder, 3-Pole, Class CC Fuses	1
Ferraz Shawmut	ATDR10	Class CC Fuse, 10 Amp, Time Delay	3
Electrotech	WR-35AL/S	DIN Rail, 35mm x 1meter	1
Iboco	T1-0510G	WIRE DUCT, 0.50" x 1.0" x 2M	1
Sprecher+Schuh	V7-WG4	Ground Terminal	1
Sprecher+Schuh	V7-W4	Terminal	12
Sprecher+Schuh	V7-EA35	End Anchor	8
Sprecher+Schuh	V7-EB3	End Barrier	1
Sprecher+Schuh	V7-PP3	Partition	3
Sprecher+Schuh	V7-SM6X12 (Custom)	Marker Card (Custom Printed)	1
Sprecher+Schuh	L8-5/2/B	Circuit Breaker, 5Amp, B-Curve	1
Sprecher+Schuh	L8-2/1/B	Circuit Breaker, 2Amp, B-Curve	1
Sprecher+Schuh	V7-CJ6-2	Center Jumper	2
McMaster-Carr	5891T111	Electrical Hazard Warning Label, 1-3/4"W x 2-1/2"H	1
		Legend Plate, 0.75" x 0.75", "0"	1
		Legend Plate, 0.75" x 0.75", "1"	1
		Legend Plate, 0.75" x 2.00", "MOTOR SPEED CONTROL"	1

TIMER DIP SETTINGS

1	<input type="checkbox"/>	ON
2	<input type="checkbox"/>	OFF
3	<input type="checkbox"/>	OFF
4	<input type="checkbox"/>	ON
5	<input type="checkbox"/>	ON
6	<input type="checkbox"/>	OFF
7	<input type="checkbox"/>	OFF
8	<input type="checkbox"/>	ON

DESIGNED BY	PCW
CHECKED BY	PCW
DATE DRAWN	03/23/17
DATE GOOD	04/11/17

**AACI**  
APPLIED AUTOMATION CONTROLS INC.  
1240 WOLF STREET, SYRACUSE NY 13208  
PHONE 315-453-5670 FAX 315-453-5681

THIS MATERIAL IS THE EXCLUSIVE PROPERTY OF AACI APPLIED AUTOMATION CONTROLS INC. AND MUST BE RETURNED TO AACI IMMEDIATELY UPON REQUEST. THIS MATERIAL AND INFORMATION ILLUSTRATED OR CONTAINED HEREIN MAY NOT BE REPRODUCED, COPIED, USED OR TRANSMITTED IN ANY FORM OR BY ANY MEANS WITHOUT THE PRIOR WRITTEN CONSENT OF AACI.

TITLE	MORSE	DRAWING NO.	5896-P VFD PANEL (ELECTRICAL)	DATE	04/11/17	REV	01
-------	-------	-------------	-------------------------------	------	----------	-----	----